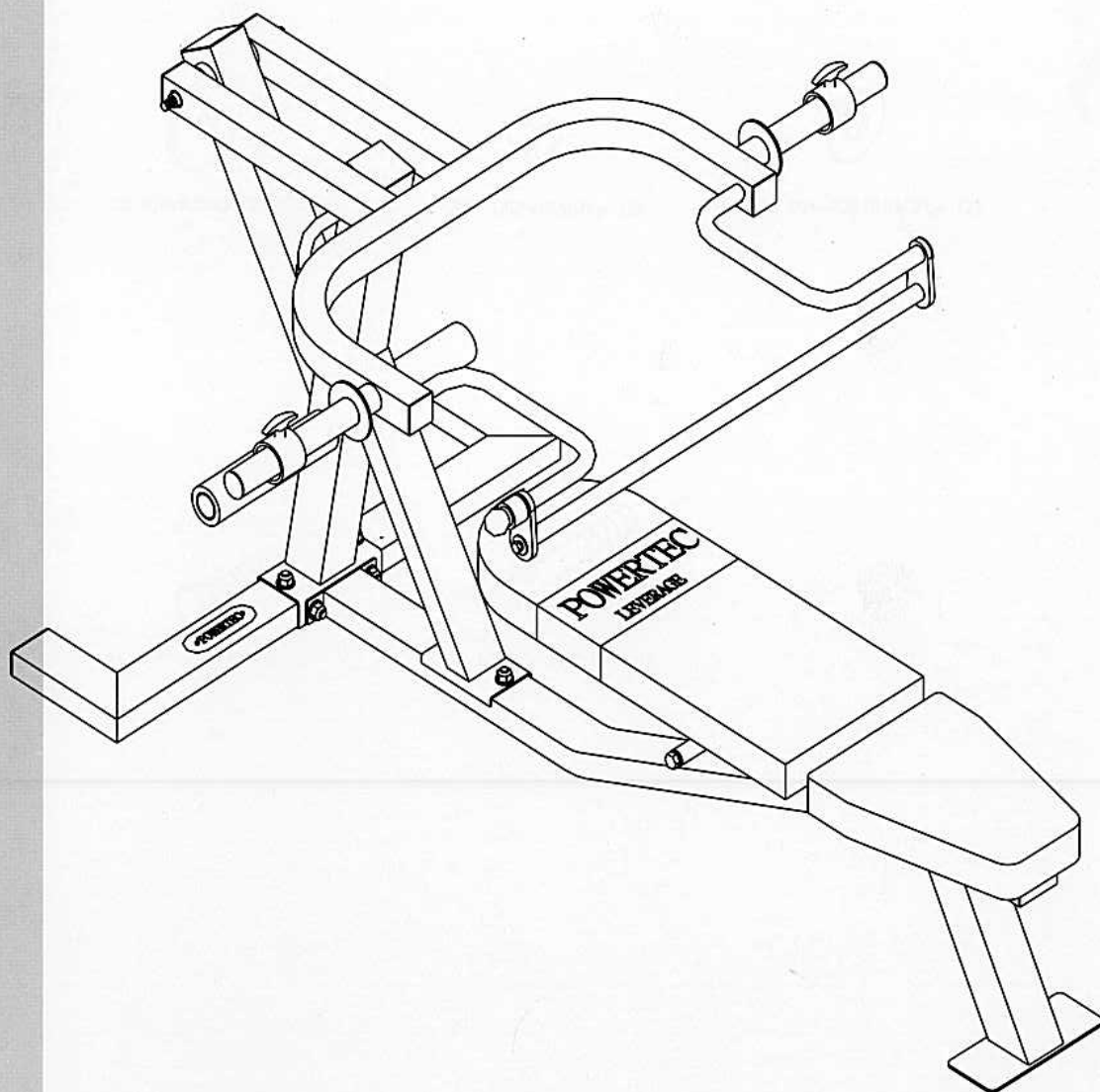


# POWERTEC

## LEVERAGE

### L-CP-S

Manual



# LEVERAGE CHEST PRESS

# PART LIST

POWERTEC

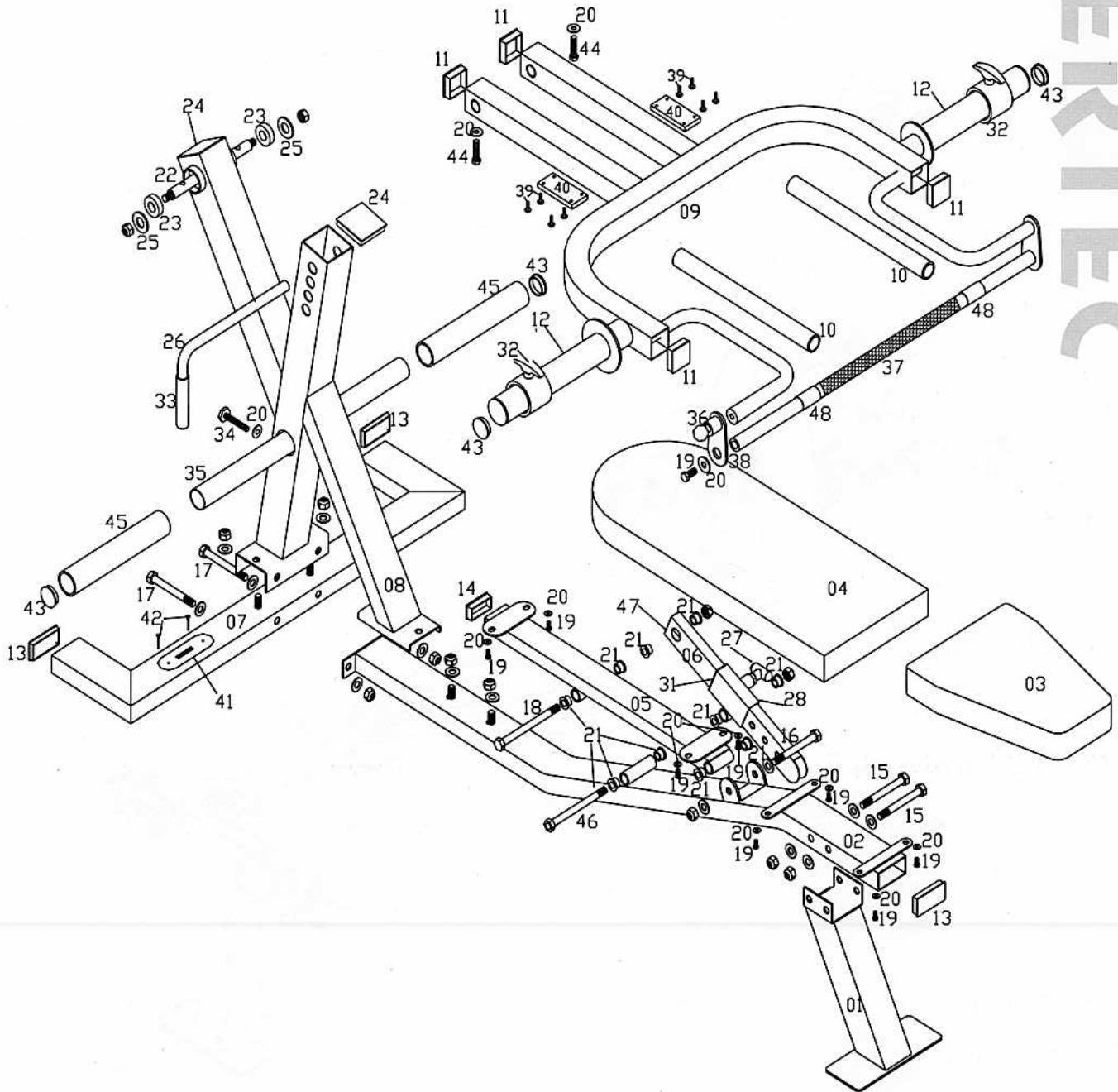
Part	Description	Qty	Part	Description	Qty
1	Mainframe support tube	1	25	Washer	2
2	Mainframe	1	26	Safety bar	1
3	Seat pad	1	27	Spring lock pin	1
4	Backrest pad	1	28	Backrest adjustment tube	1
5	Backrest support tube	1	29	Nylon Nut	13
6	Backrest adjustment tube	1	30	Washer	14
7	Rear base	1	31	Plastic bushing	1
8	Support tube	1	32	Collar lock pin	2
9	"U"shape arm	1	33	Hand grip	1
10	Rubber sleeve	2	34	Hex bolt	1
11	Square inner plug	4	35	Weight holder	1
12	PVC sleeve	2	36	Rapid lock pin	1
13	Rect.Inner plug	3	37	Accessory bar	1
14	Rect.Inner plug	1	38	Connected plate	1
15	Half-thread hex bolt	2	39	Pocket screw	8
16	Half-thread hex bolt	1	40	Rubber bumper	2
17	Half-thread hex bolt	2	41	Name plate	1
18	Half-thread hex bolt	1	42	Pivot	2
19	Hex bolt	9	43	Round inner plug	4
20	Washer	12	44	Hex bolt	2
21	Metal bushing	10	45	PVC sleeve	2
22	Accessory rod	1	46	Half-thread hex bolt	1
23	Bearing	2	47	Square inner plug	1
24	Square inner plug	2	48	PVC sleeve	2

L-CP-S

LEVERAGE CHEST PRESS

# EXPLODED DIAGRAM

POWERTEC



Remarks: All unmarked Washers are (30) and all unmarked Nylon Nuts are (29) . .

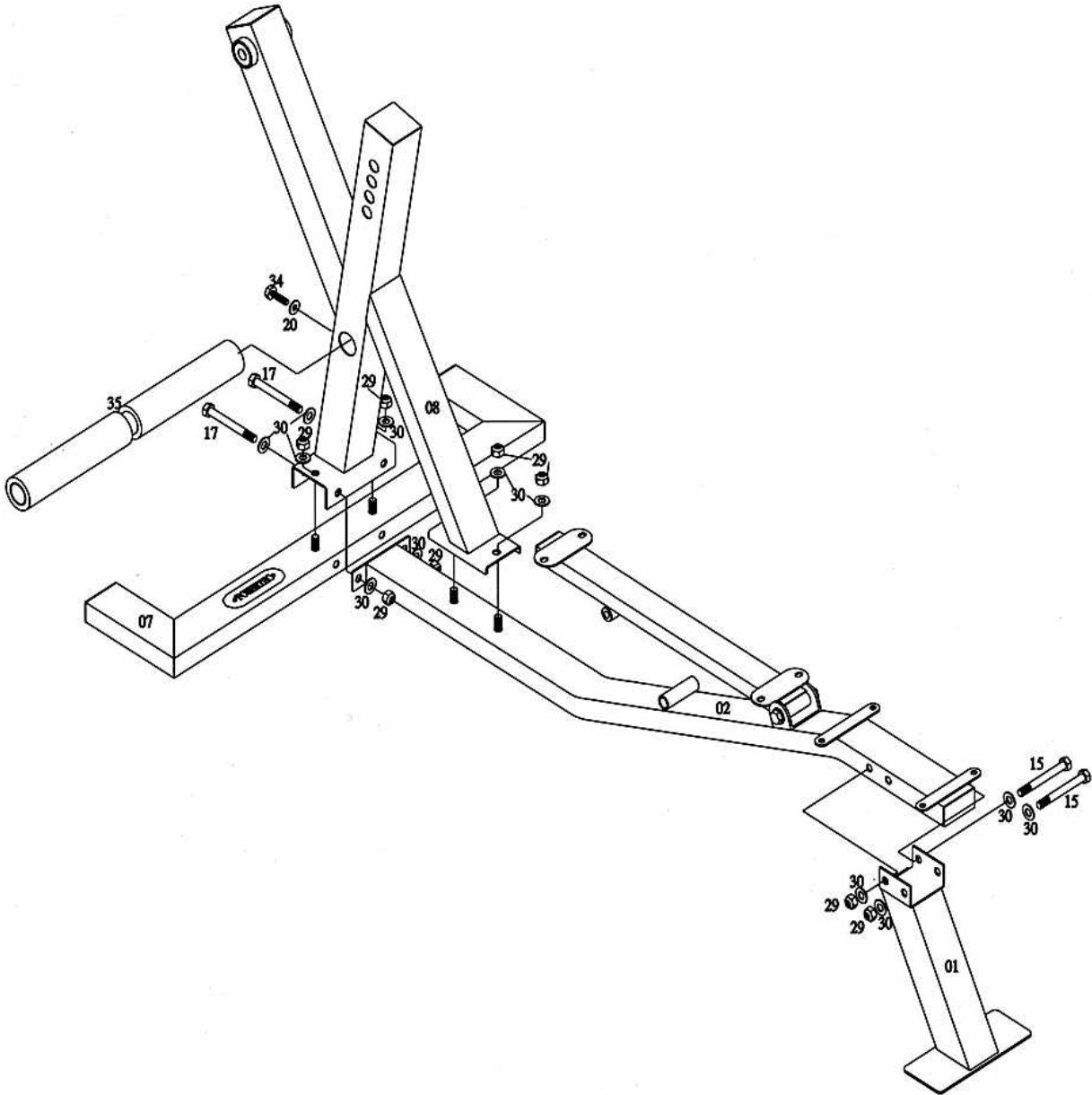
## L-CP-S

# LEVERAGE CHEST PRESS

# ASSEMBLY ONE

**Before beginning assembly...**

**Always insert all bolts through holes prior to tightening due to precision fit**

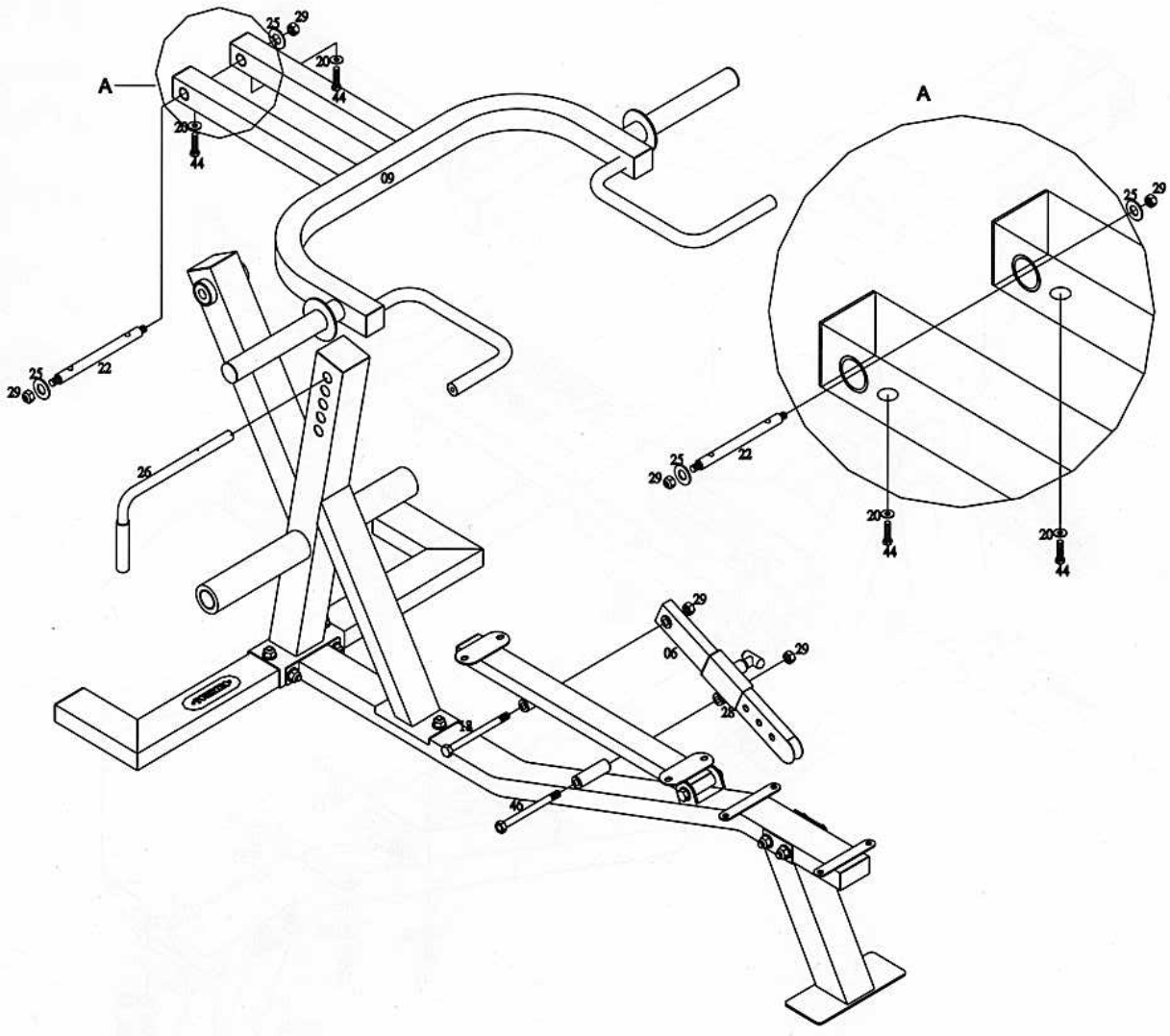


L-CP-S

LEVERAGE CHEST PRESS

# ASSEMBLY TWO

POWERTEC

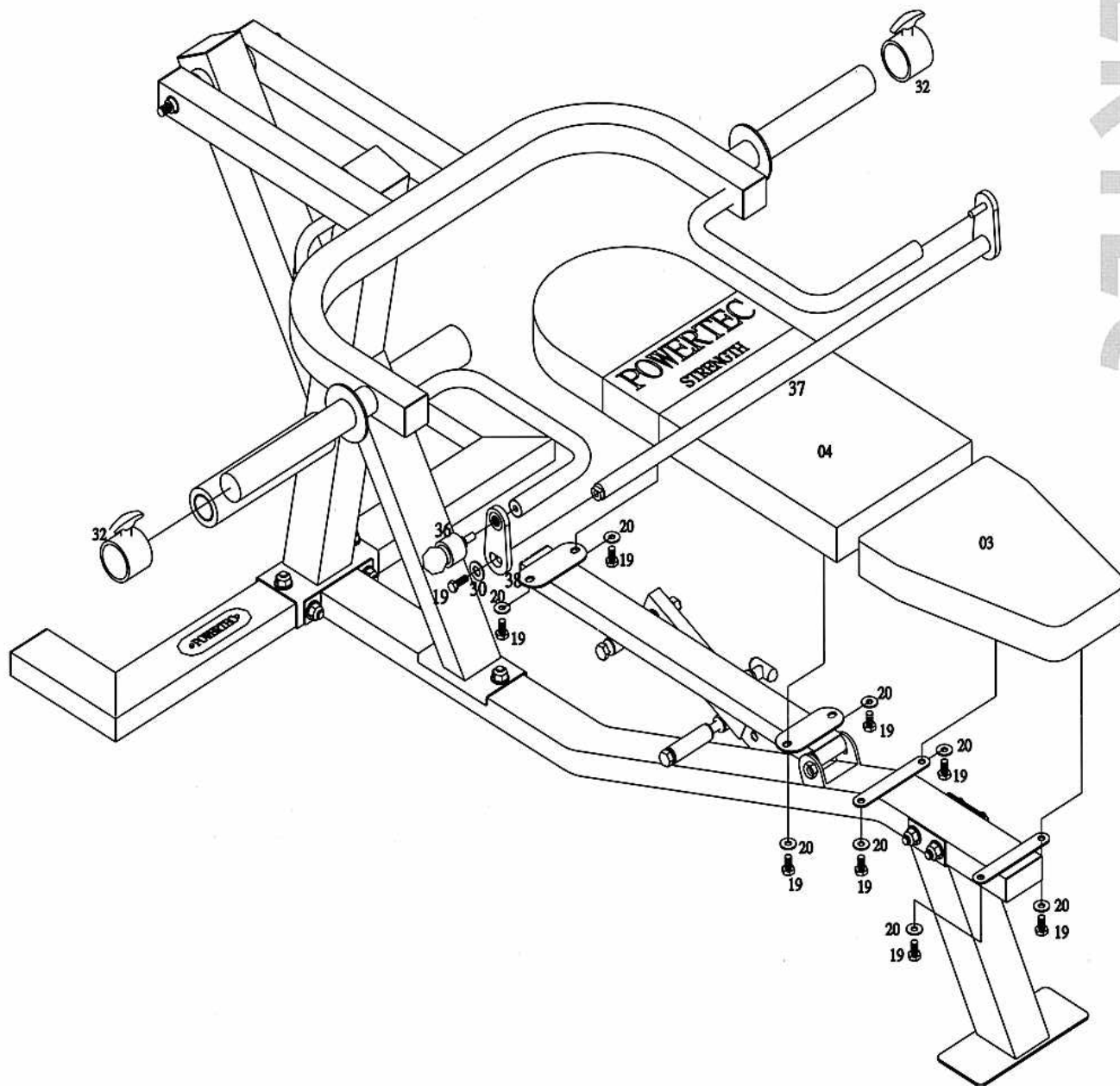


L-CP-S

LEVERAGE CHEST PRESS

# ASSEMBLY THREE

POWERTEC

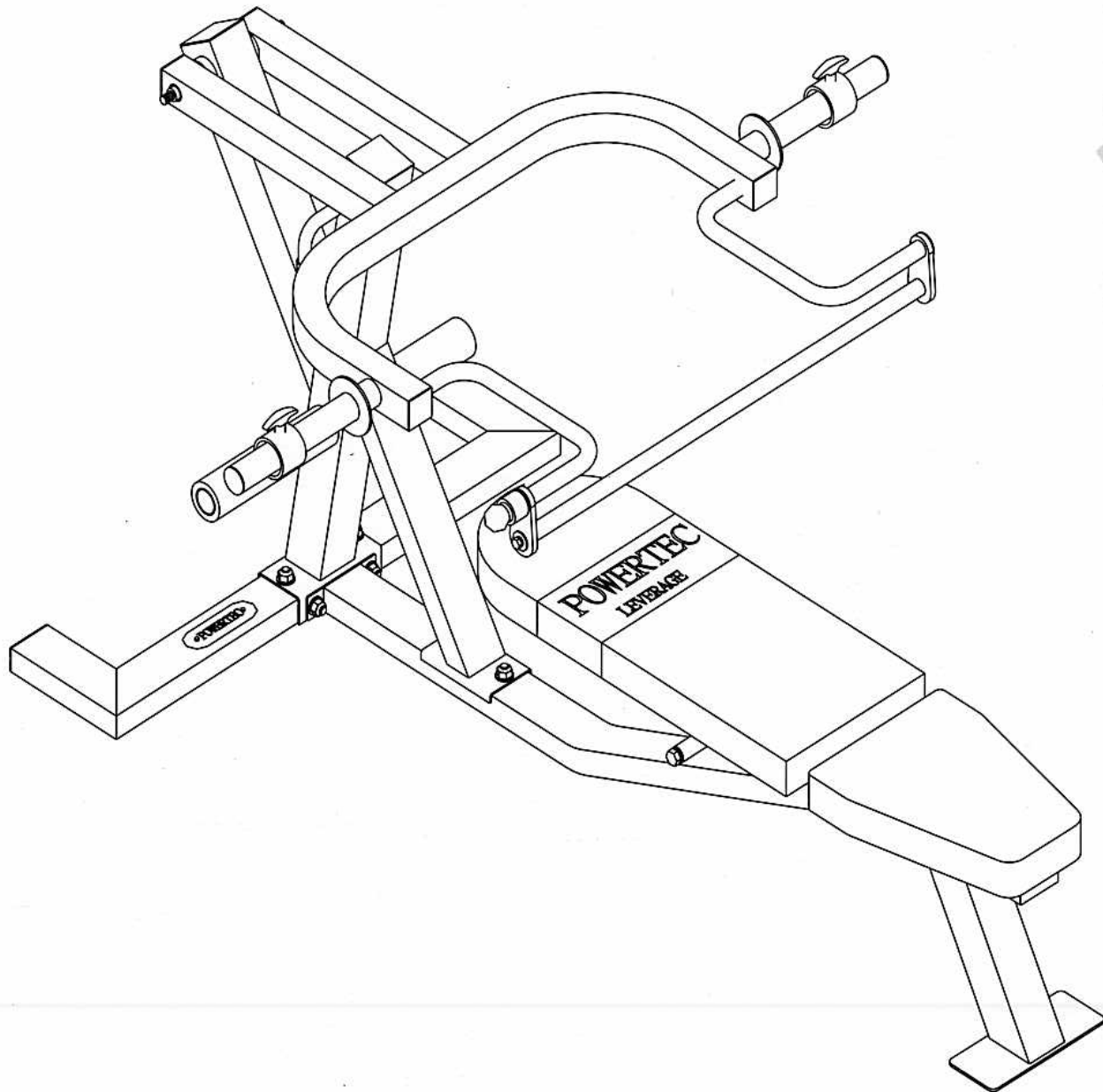


L-CP-S

LEVERAGE CHEST PRESS

# ASSEMBLY FOUR

POWERTEC



L-CP-S

LEVERAGE CHEST PRESS







**POWERTEC** IS NOT LIABLE IF THE TRAINER SHOULD INJURE THEMSELVES WHILE USING **POWERTEC** EQUIPMENT OR WHILE PERFORMING THE TRAINING ROUTINE

# **POWERTEC**

LEVERAGE

## **POWERTEC, INC.**

601 W. Harford St. Milford, PA 18337

Phone: (570) 296-5005

Fax: (570) 296-5009

*[www.powertecfitness.com](http://www.powertecfitness.com)*

# **LIFETIME WARRANTY**