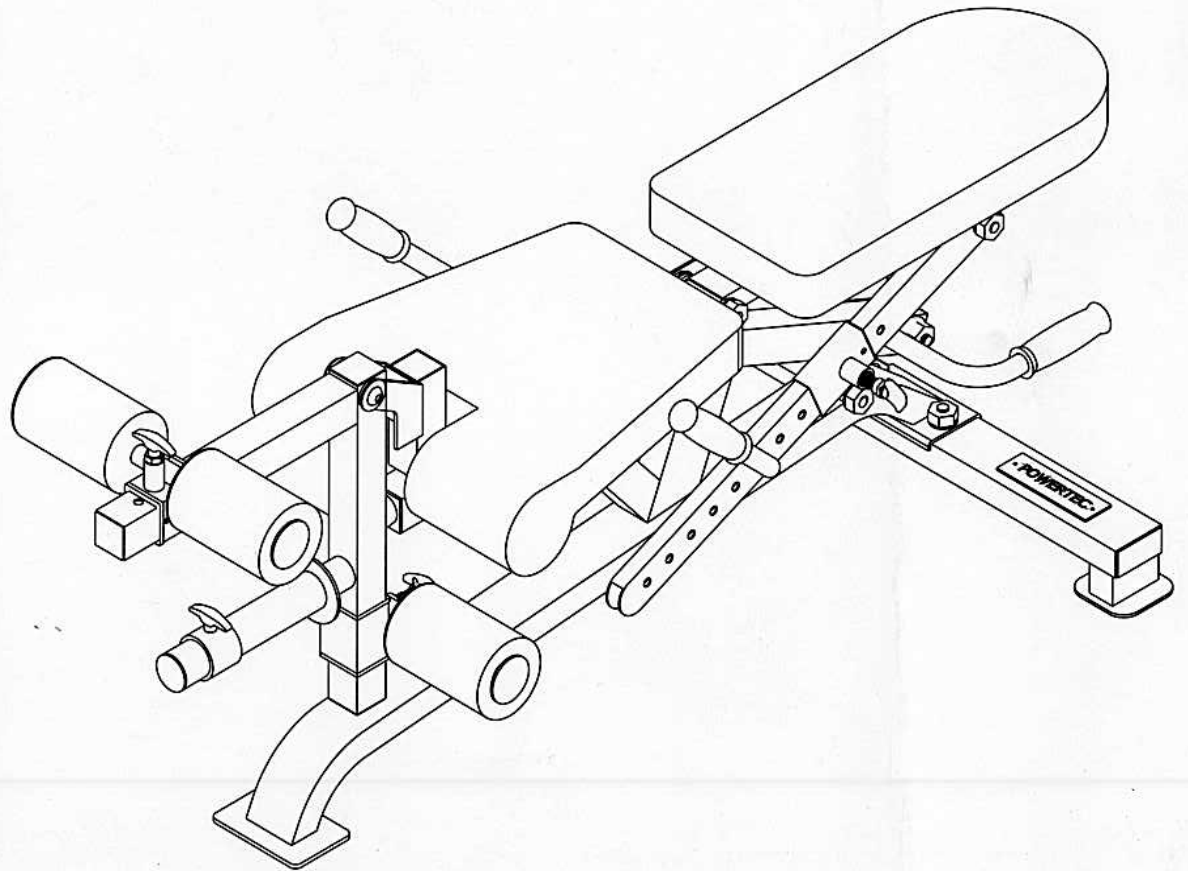


POWERTEC

LEVERAGE

L-LEC



Manual

LEG EXTENSION /CURL

HARDWARE LIST

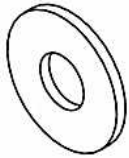
POWERTEC



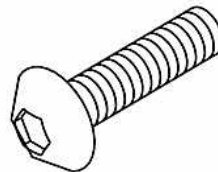
30 $\phi 14 \times \phi 28 \times 2t$ (Qty:17)



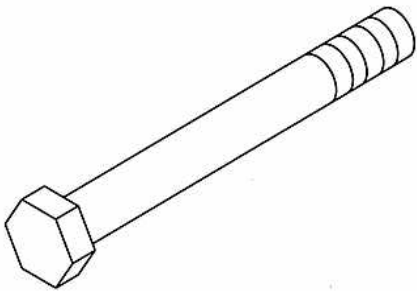
31 $\phi 10 \times \phi 25 \times 2t$ (Qty:8)



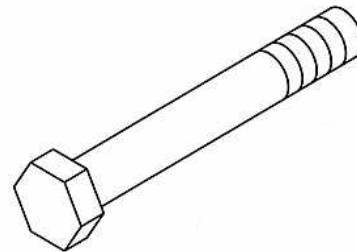
43 $\phi 10 \times \phi 35 \times 2t$ (Qty:2)



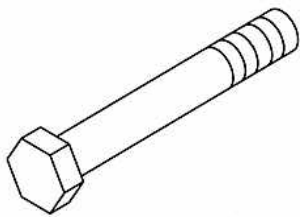
32 $3/8" \times 3/4"$ (Qty:2)



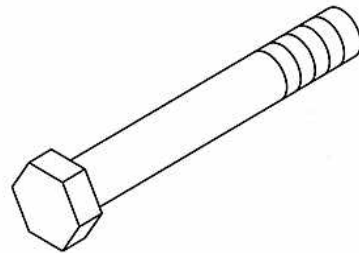
33 $1/2" \times 6-1/8"$ (Qty:2)



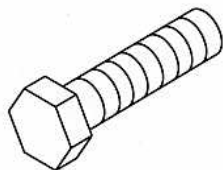
34 $1/2" \times 3-7/8"$ (Qty:1)



35 $3/8" \times 1-1/2"$ (Qty:4)



36 $1/2" \times 3"$ (Qty:4)



37 $3/8" \times 3/4"$ (Qty:4)



38 $1/2" \times 16t$ (Qty:10)

L-LEC

LEG EXTENSION/CURL

PART LIST

POWERTEC

Part Description	QTY	Part Description	QTY
1 Main Base Frame	1	23 Rect. Plastic Bushing	1
2 Backrest Tube	1	24 Rect. Inner Plug	2
3 Rear Base Tube	1	25 Rect. Inner Plug	1
4 Front Handle	2	26 Rect. Inner Plug	1
5 Rear Handle	2	27 Foam Roller	4
6 Seat Tube	1	28 Metal Bushing	10
7 Leg Extension/ Curl Tube	1	29 Metal Bushing	2
8 Backrest Adjustment Bracket	1	30 1/2" Washer	17
9 Backrest Adjustment Tube	1	31 3/8" Washer	8
10 Foam Roller Adjustment Bracket	2	32 3/8" x 3/4" Carriage Bolt	2
11 Backrest Pad	1	33 1/2" x 6-1/8" Half Thread Hex Bolt	2
12 Seat Pad	1	34 1/2" x 3-7/8" Half Thread Hex Bolt	1
13 Steel Axis Tube	1	35 3/8" x 1-1/2" Half Thread Hex Bolt	4
14 Roller Tube	2	36 1/2" x 3" Half Thread Hex Bolt	4
15 PVC Sleeve	1	37 3/8" x 3/4" Hex Bolt	4
16 Round Inner Plug	1	38 1/2" Nylon Nut	10
17 Collar	1	39 Spring Pin	3
18 Roller End Cap	4	40 Rubber Bumper	1
19 Hand Grip	4	41 Nameplate	1
20 Square Inner Plug	5	42 Rivet	2
21 Square Inner Plug	4	43 3/8" Washer	2
22 Rubber Bumper	2	44 Square Open End Cap	4

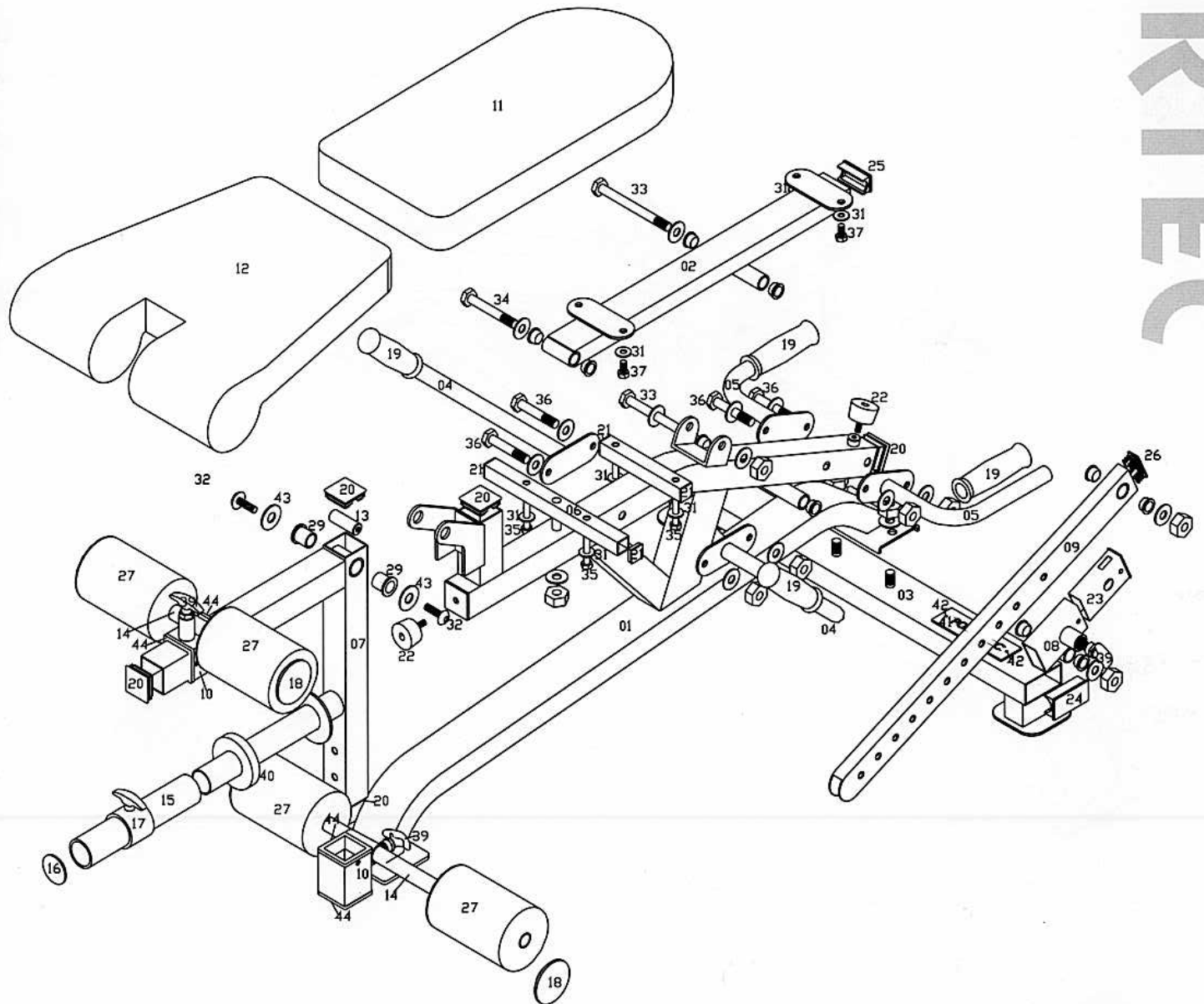
L-LEC

LEG EXTENSION/CURL

EXPLODED DIAGRAM

POWERTEC

Remarks: All unmarked Metal Bushing are (28), all unmarked Washers are (30)
and all unmarked Nylon Nuts are (38).



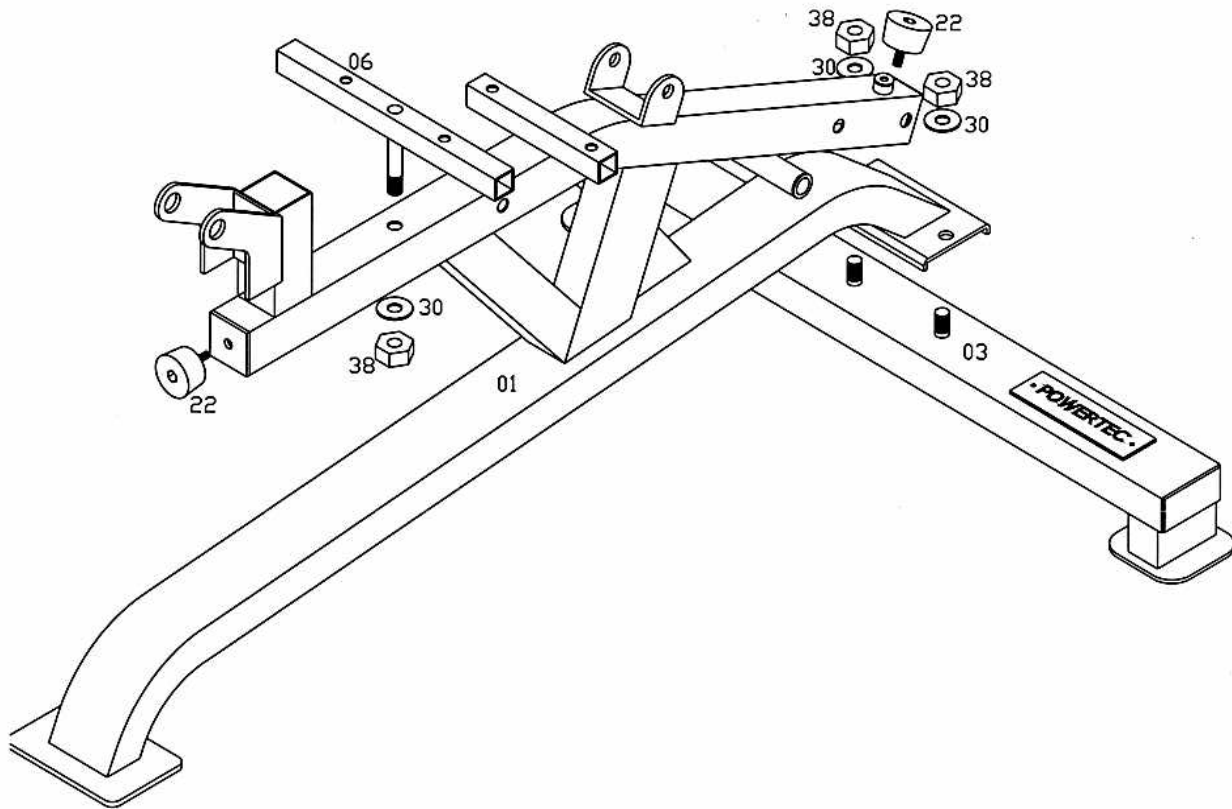
L-LEC

LEG EXTENSION/CURL

ASSEMBLY ONE

NOTE: Always insert all bolts through holes prior to tightening due to precision fit

POWERTEC

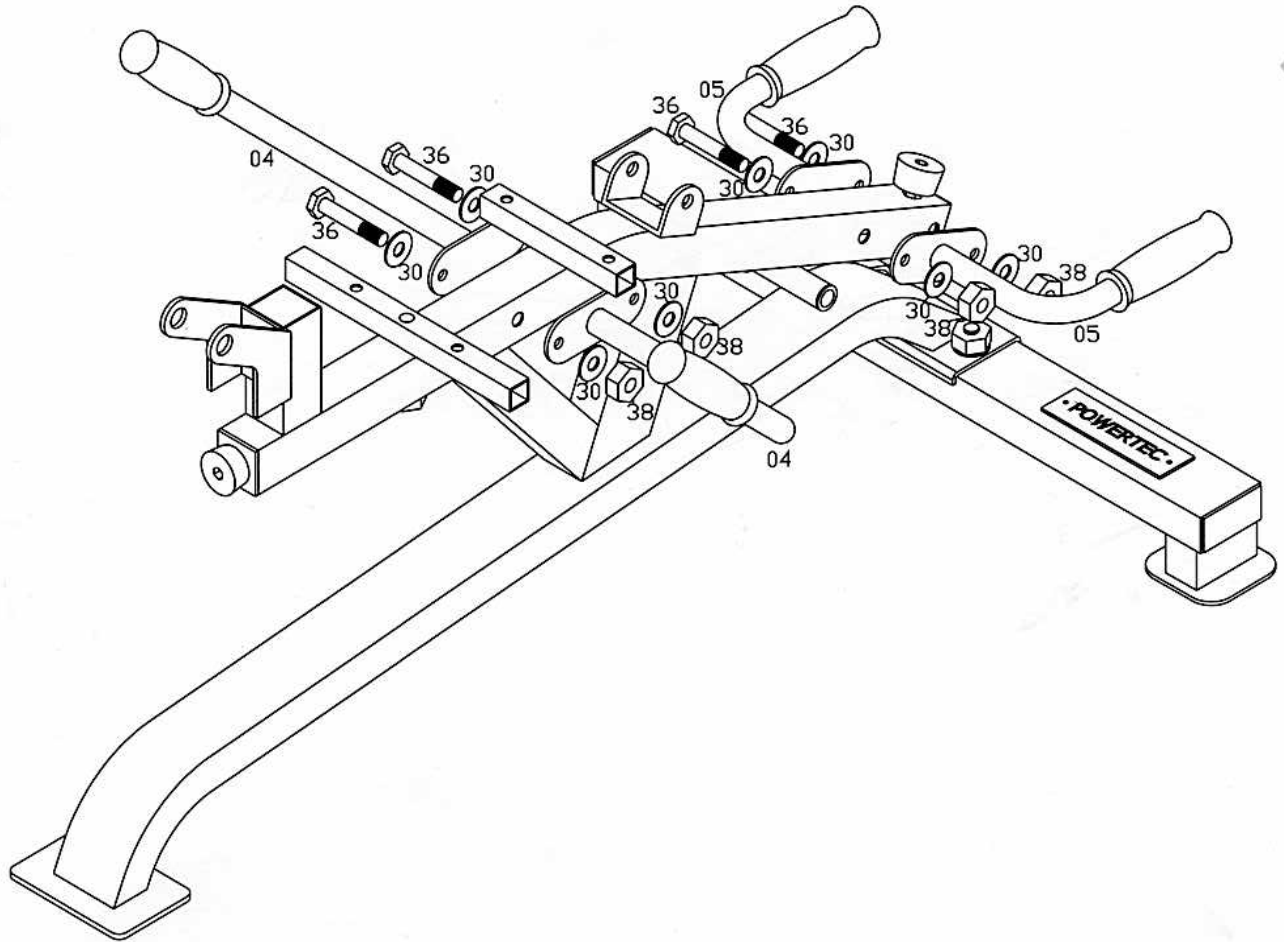


L-LEC

LEG EXTENSION/CURL

ASSEMBLY TWO

POWERTEC

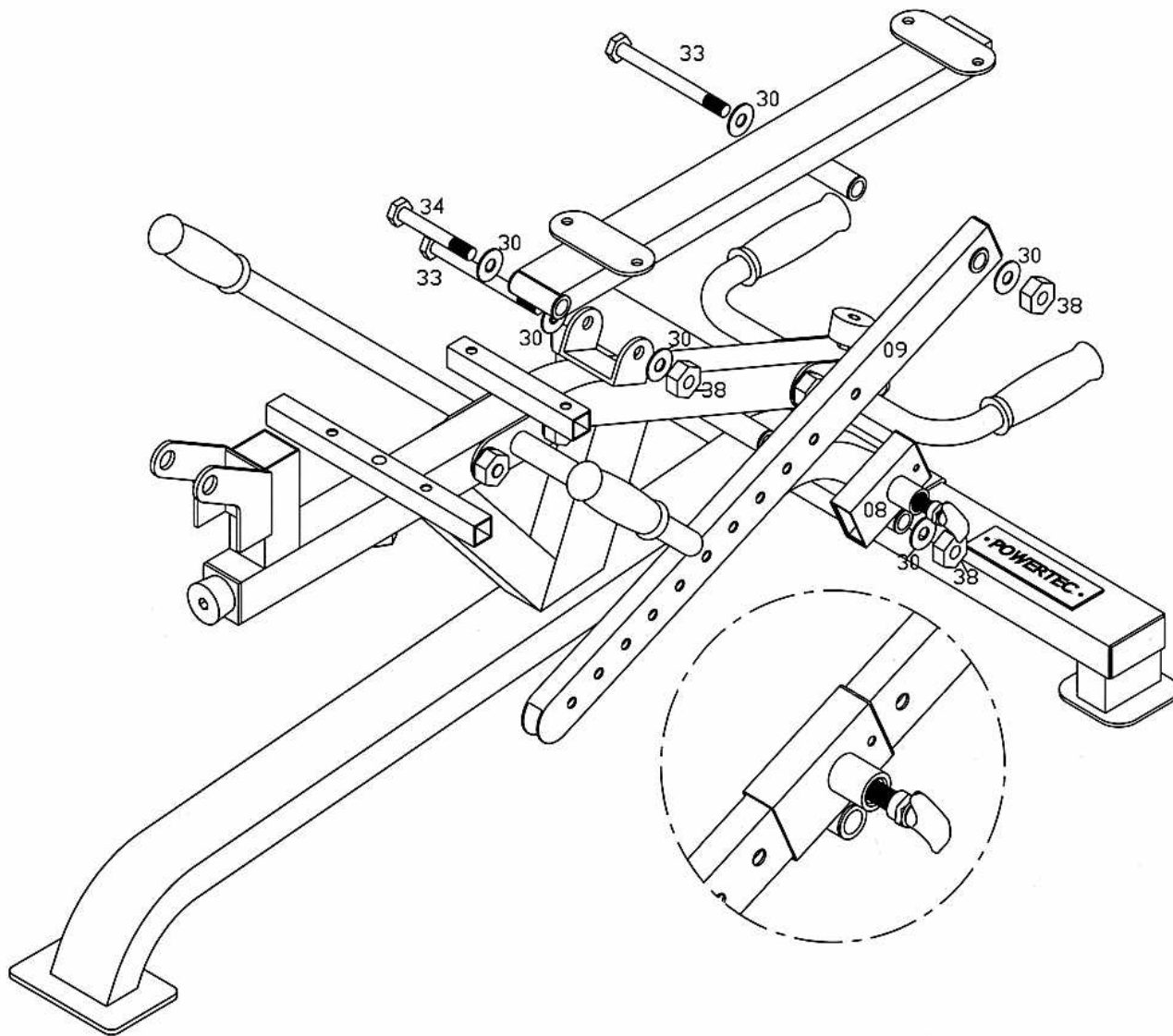


L-LEC

LEG EXTENSION/CURL

ASSEMBLY THREE

POWERTEC

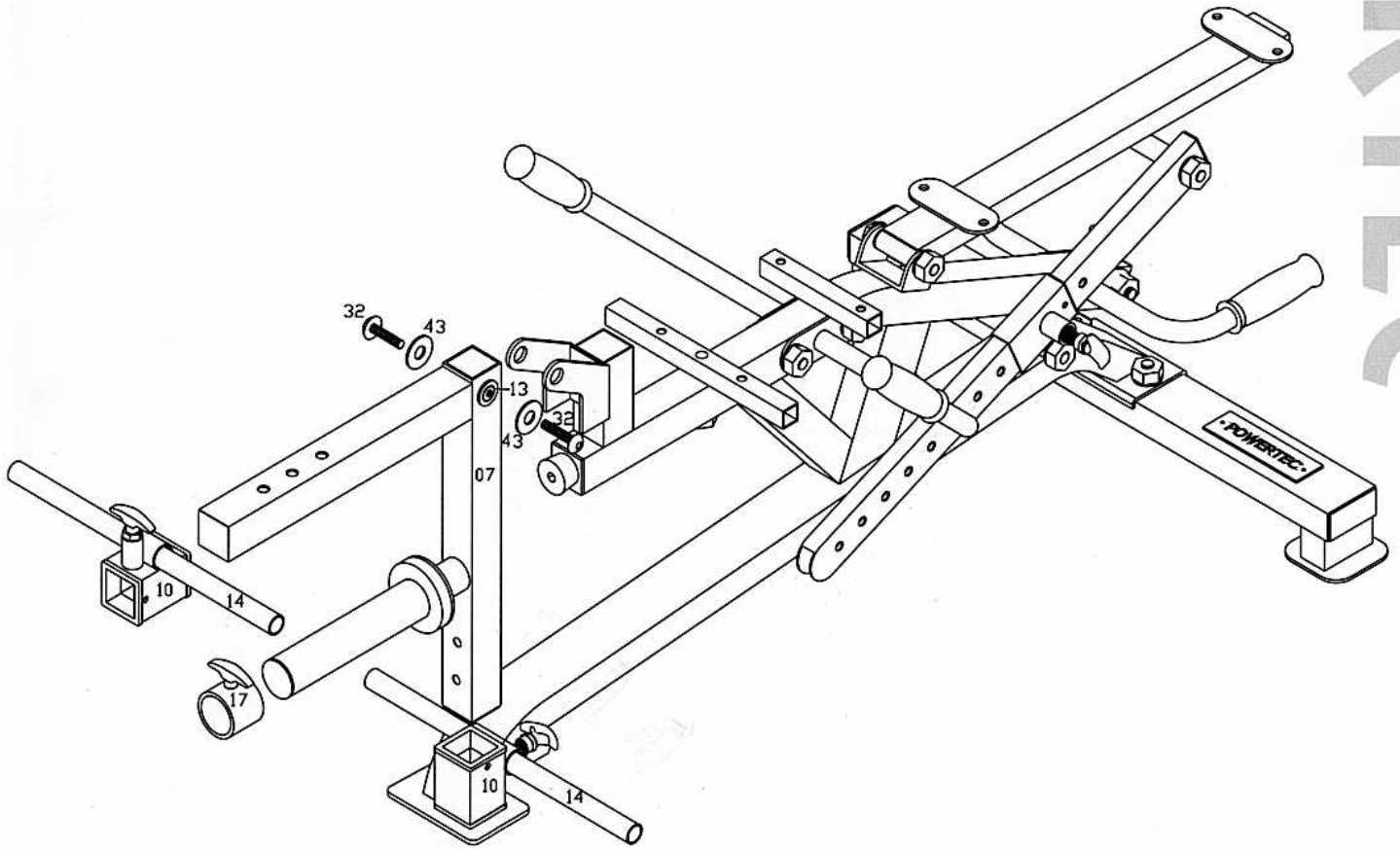


L-LEC

LEG EXTENSION/CURL

ASSEMBLY FOUR

POWERTEC

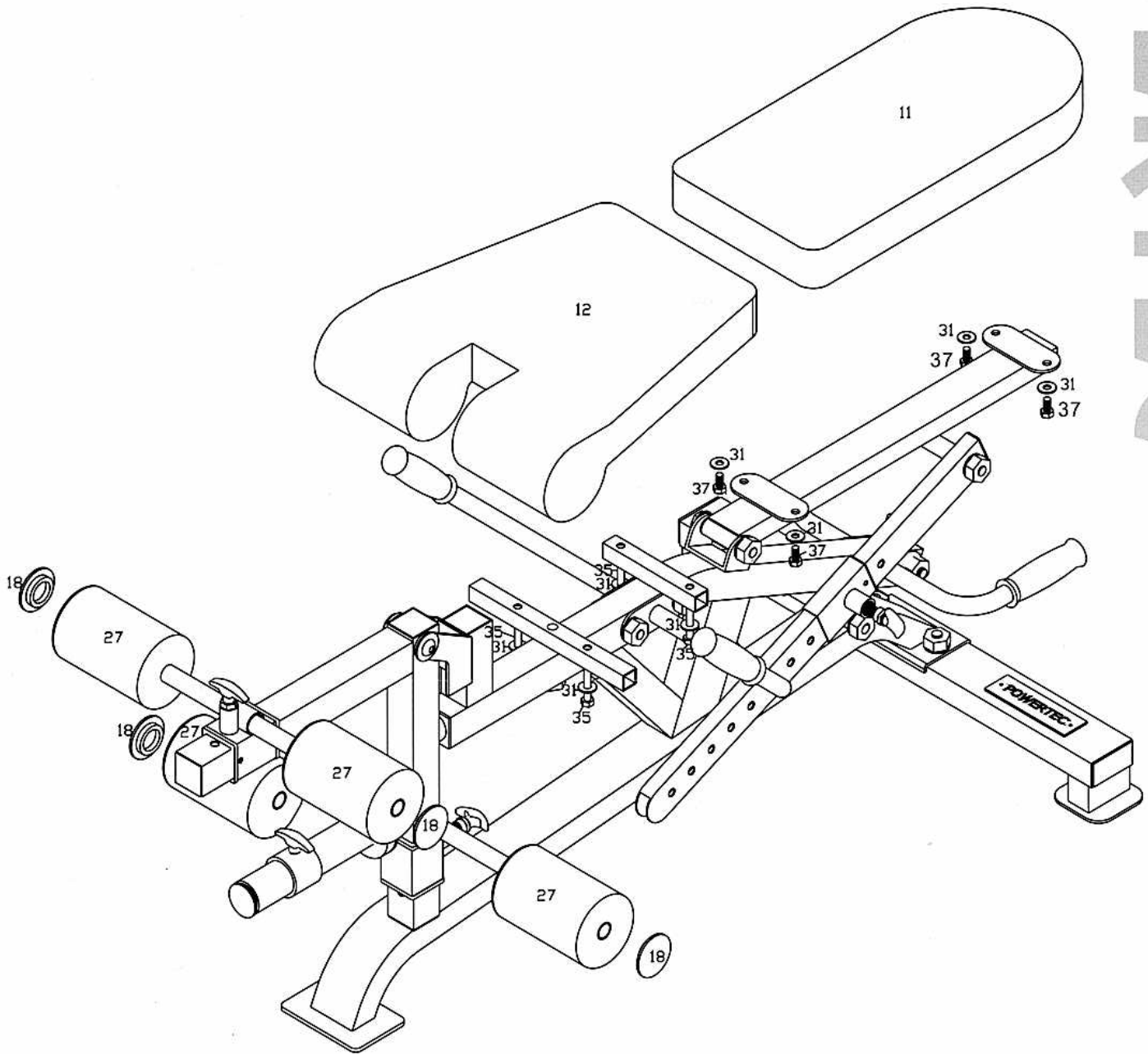


L-LEC

LEG EXTENSION/CURL

ASSEMBLY FIVE

POWERTEC

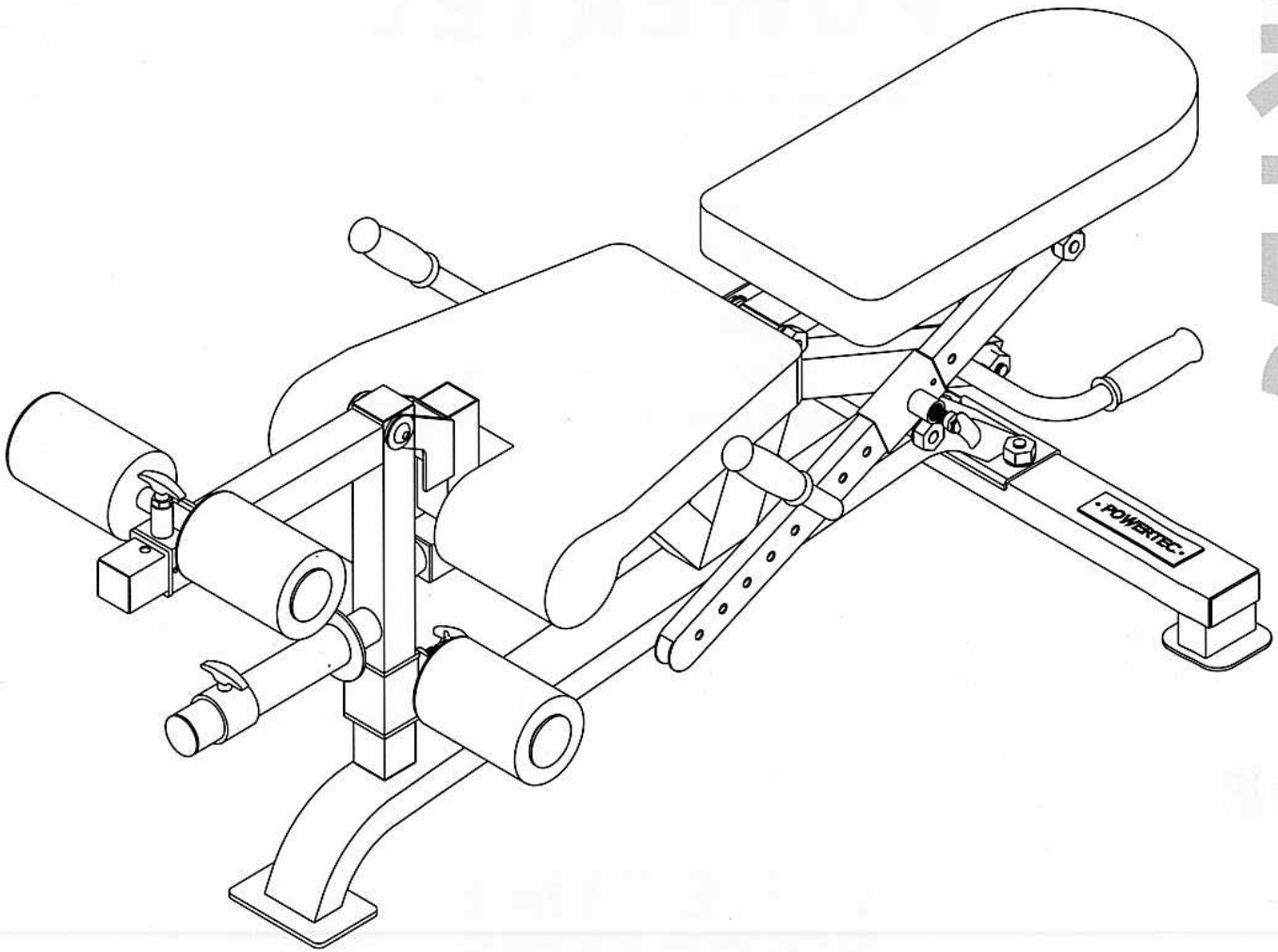


L-LEC

LEG EXTENSION/CURL

ASSEMBLY SIX

POWERTEC



Tighten All Bolts before using this equipment !

L-LEC

LEG EXTENSION/CURL

POWERTEC IS NOT LIABLE IF THE TRAINER SHOULD INJURE THEMSELVES WHILE USING **POWERTEC** EQUIPMENT OR WHILE PERFORMING THE TRAINING ROUTINE

POWERTEC

STRENGTH

Powertec, inc.

601W. Harford St. Milford.

PA 18337

PHONE: (570) 296-5005

FAX: (570) 296-5009

www.powertecfitness.com

LIFETIME WARRANTY