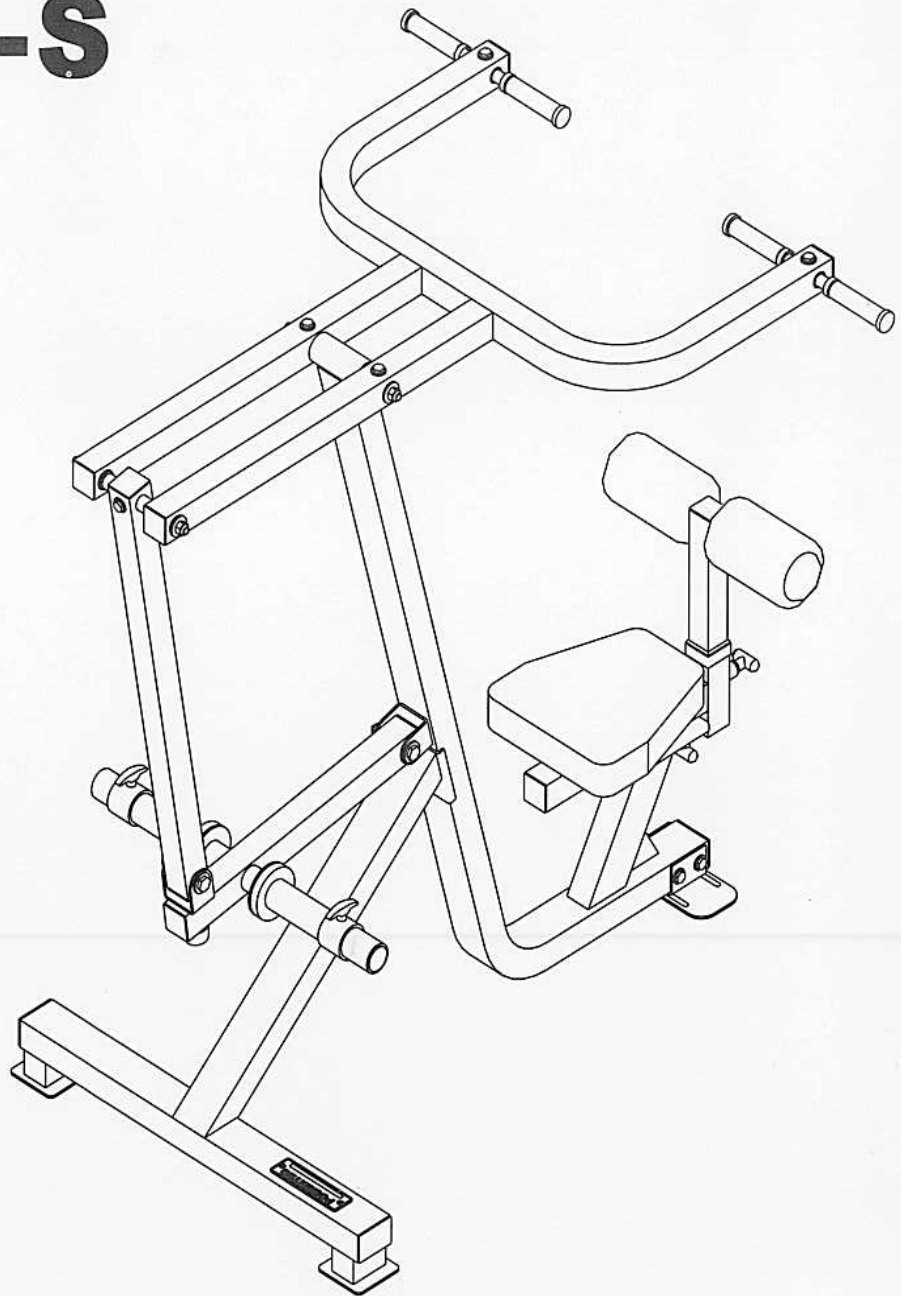


POWERTEC

LEVERAGE

L-LP-S

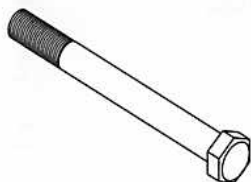
Manual



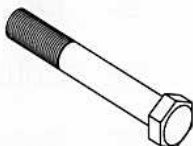
LEVERAGE LAT PULL

HARDWARE LIST

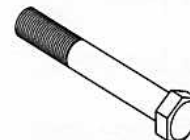
POWERTEC



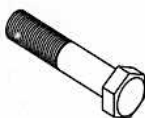
29 1/2"x4-1/4"(qty:2)



30 1/2"x3-5/8"(qty:2)



31 1/2"x3"(qty:1)



32 1/2"x2-3/4"(qty:1)



33 3/8"x1-5/8"(qty:4)



34 3/8"x1-1/2"(qty:5)



35 3/8"x3/4"(qty:2)



37 $\varnothing 14 \times \varnothing 28 \times 2t$ (qty:16)



38 $\varnothing 10 \times \varnothing 20 \times 2t$ (qty:11)



41 1/2"x16t(qty:9)



45 1/2"x8t(qty:1)

L-LP-S

LEVERAGE LAT PULL

PART LIST

Part	Description	QTY	Part	Description	QTY
1	Mainframe	1	24	Square inner plug	4
2	Foot plate	1	25	PVC sleeve	2
3	Rear leg base	1	26	Collar lock pin	2
4	"U" shape arm	1	27	Rubber bumper	1
5	Cross bar	1	28	Rivet	2
6	Weight holder	1	29	Half-thread hex bolt	2
7	Seat support	1	30	Half-thread hex bolt	2
8	Adjustment tube	1	31	Half-thread hex bolt	1
9	Roller tube	1	32	Half-thread hex bolt	1
10	Steel axis	1	33	Half-thread hex bolt	4
11	Steel axis	1	34	Hex bolt	5
12	Steel axis	2	35	Hex bolt	4
13	Square inner plug	9	36	Seat pad	1
14	Square inner plug	3	37	Washer	16
15	Square inner plug	1	38	Washer	13
16	PVC sleeve	4	39	Metal bushing	4
17	Hand grip	4	40	Metal bushing	4
18	Round inner plug	2	41	Nylon nut	9
19	Name plate	1	42	Bearing	2
20	Foam roller	2	43	Spring lock pin	2
21	Rubber bumper	2	44	Metal bushing	2
22	Square plastic bushing	1	45	Nylon nut	1
23	Round inner plug	2			

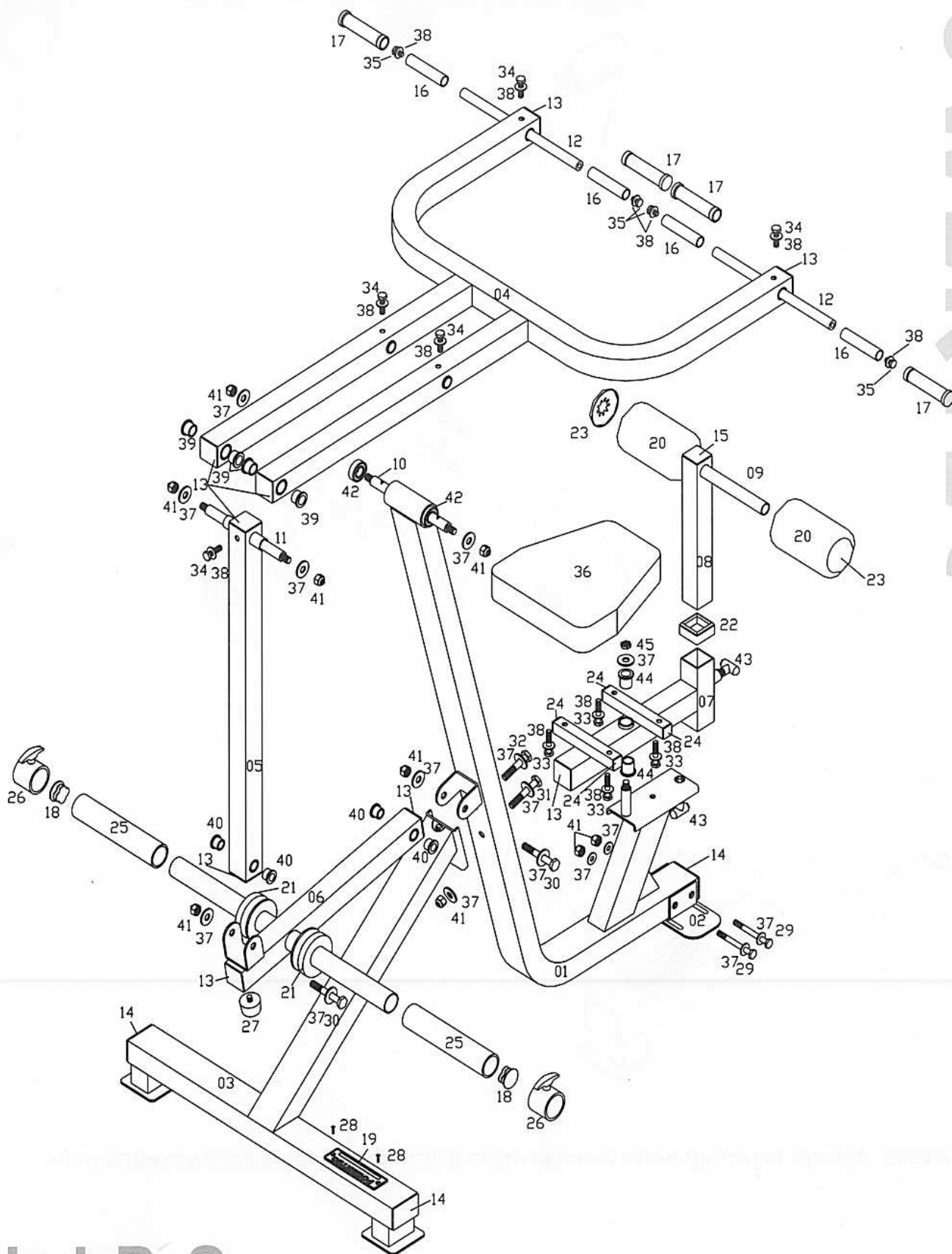
POWERTEC

L-LP-S

LEVERAGE LAT PULL

EXPLODED DIAGRAM

POWERTEC

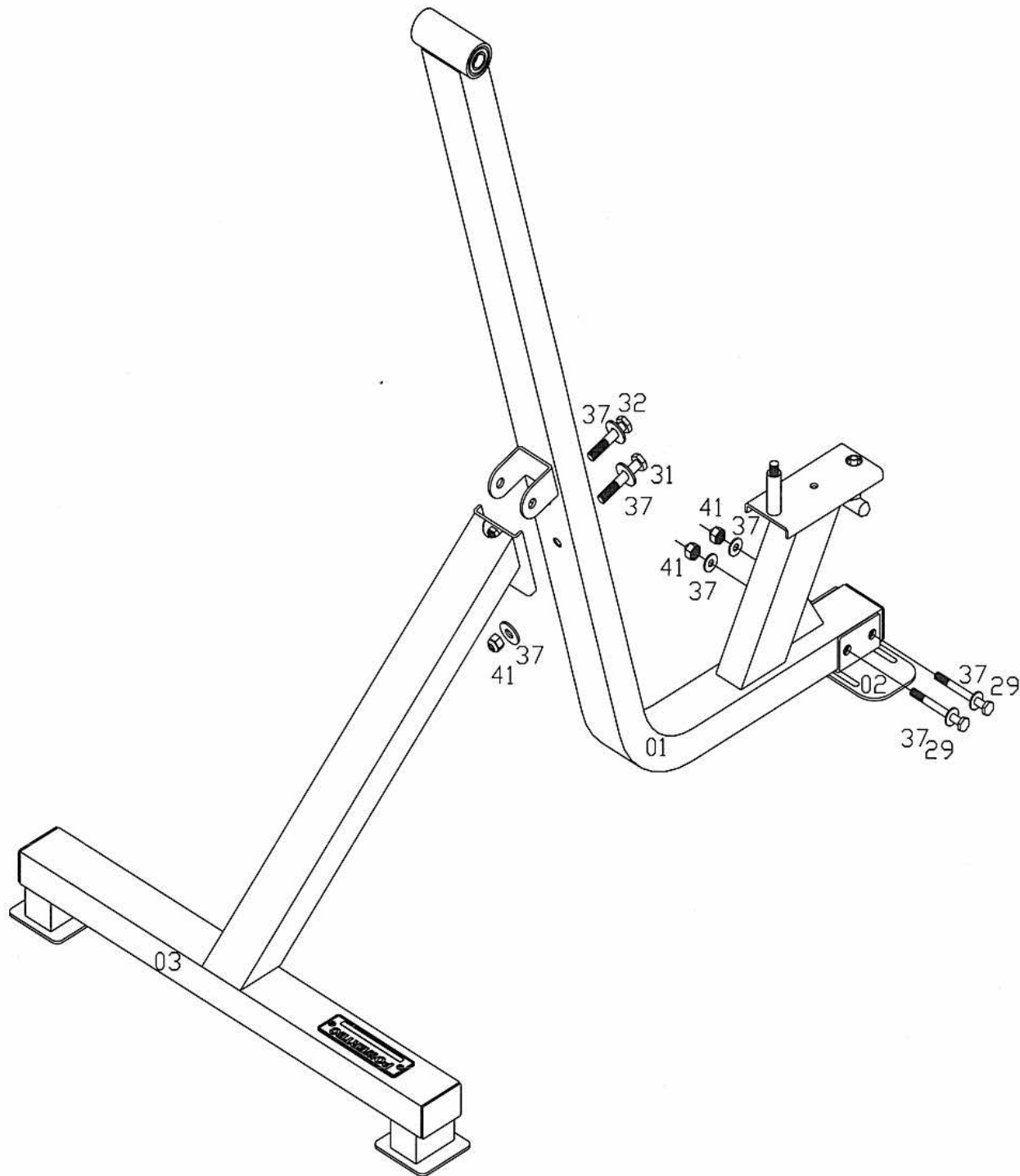


L-LP-S

LEVERAGE LAT PULL

ASSEMBLY ONE

POWERTEC



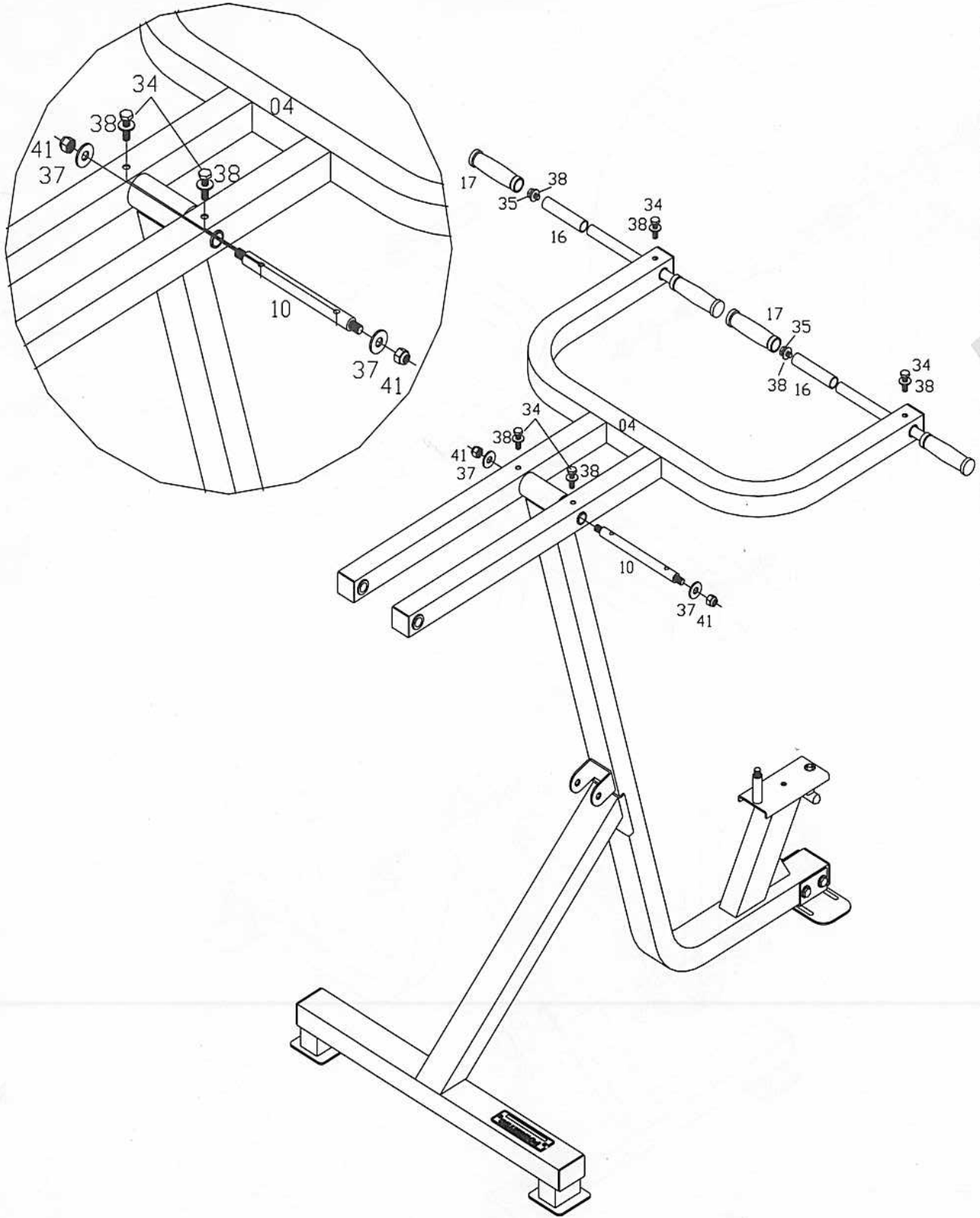
NOTE: Always insert all bolts through holes prior to tightening due to precision fit

L-LP-S

LEVERAGE LAT PULL

ASSEMBLY TWO

POWERTEC

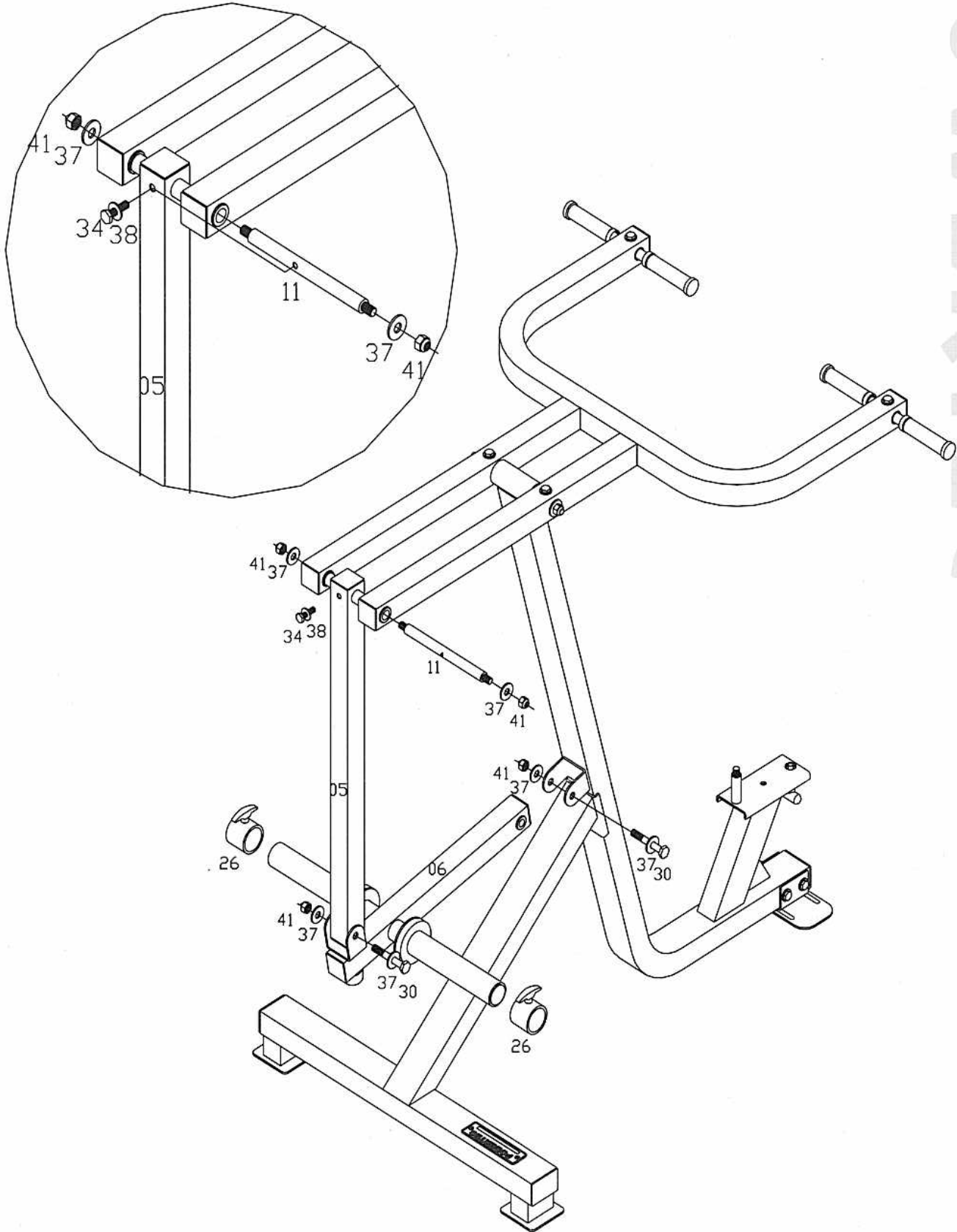


L-LP-S

LEVERAGE LAT PULL

ASSEMBLY THREE

POWERTEC

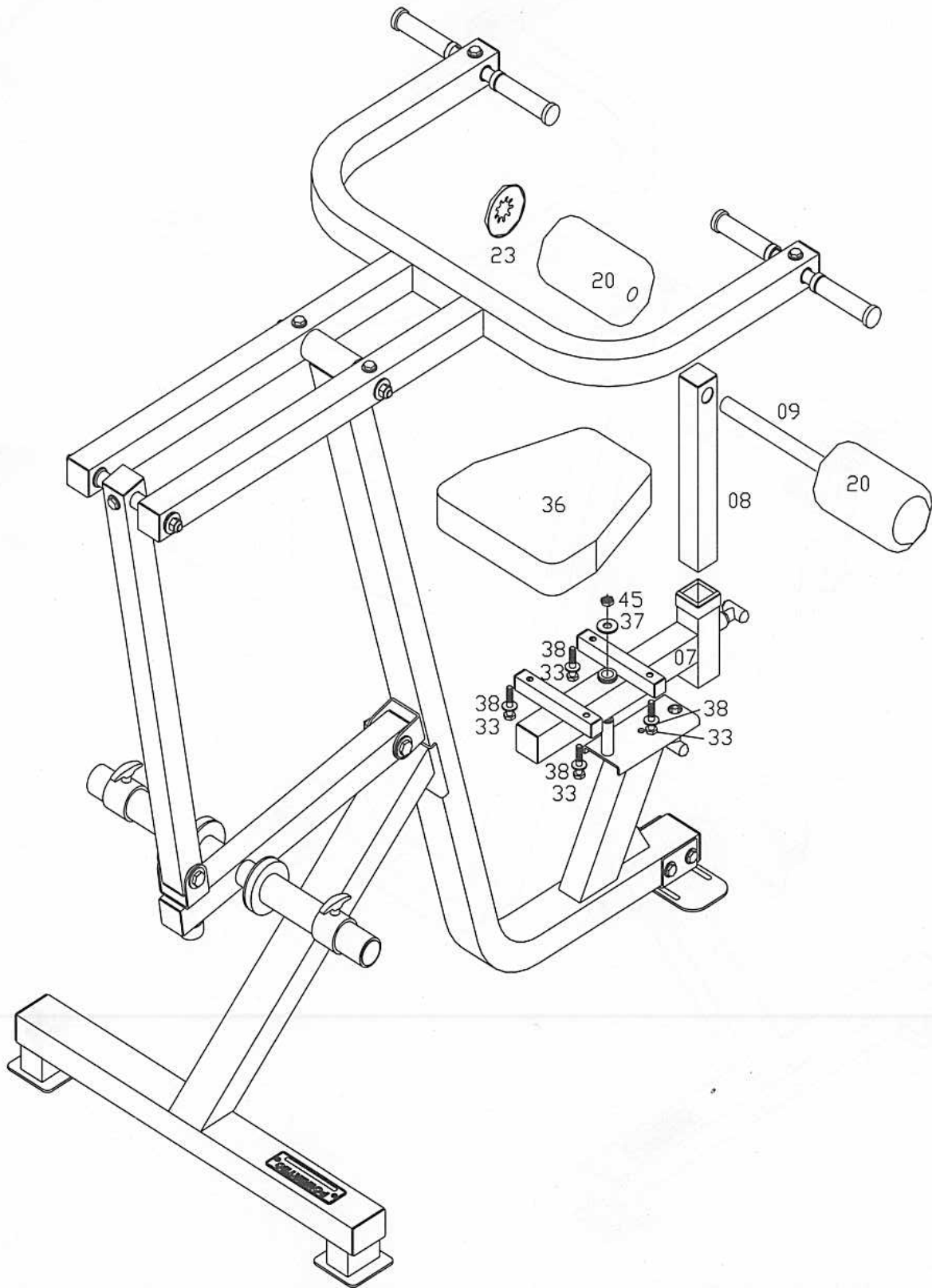


L-LP-S

LEVERAGE LAT PULL

ASSEMBLY FOUR

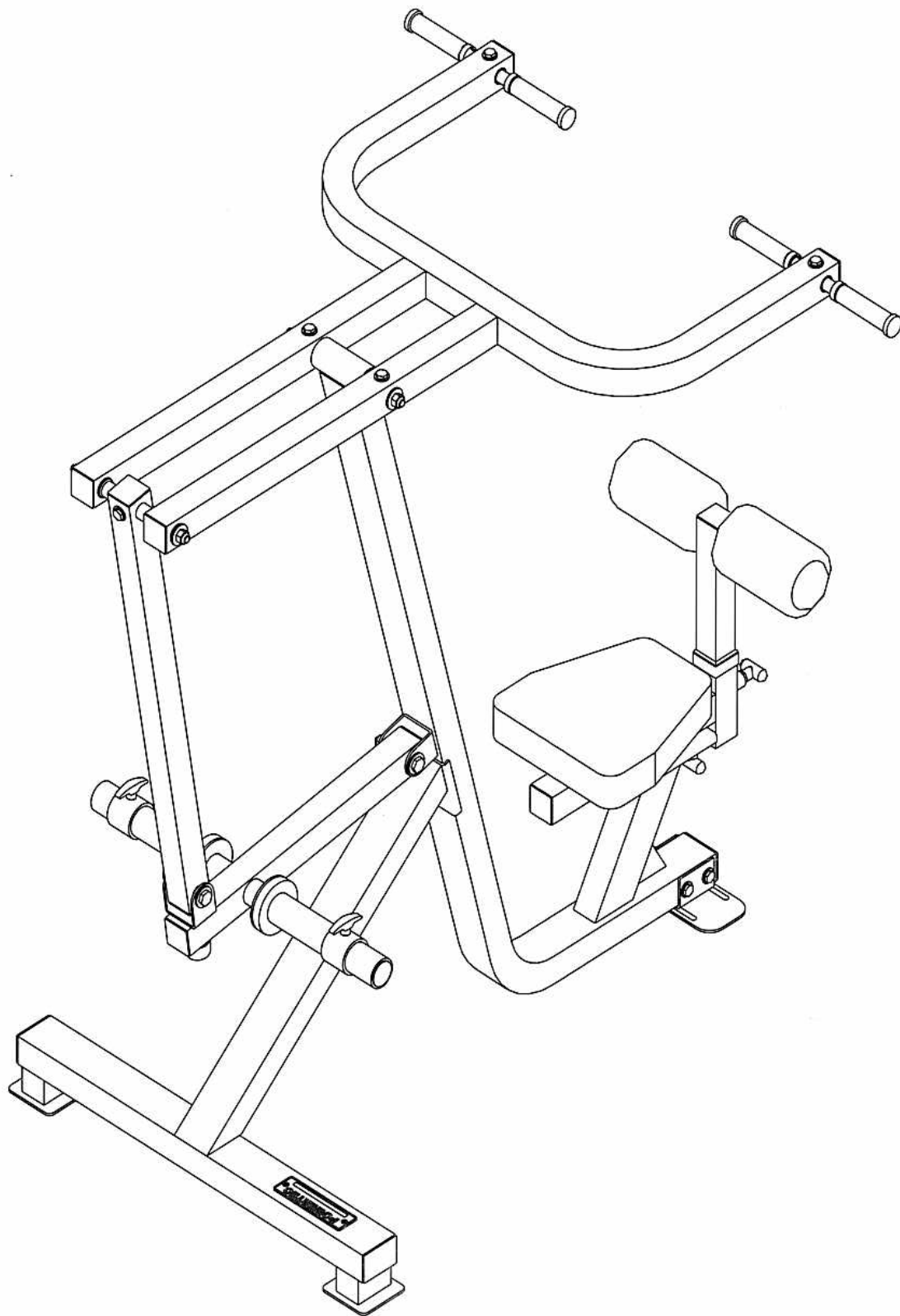
POWERTEC



L-LP-S

LEVERAGE LAT PULL

ASSEMBLY FIVE



POWERTEC

Tighten all bolts before using this equipment !

L-LP-S

LEVERAGE LAT PULL

POWERTEC IS NOT LIABLE IF THE TRAINER SHOULD INJURE THEMSELVES WHILE USING **POWERTEC** EQUIPMENT OR WHILE PERFORMING THE TRAINING ROUTINE

POWERTEC

LEVERAGE

POWERTEC, INC.

601 W. Harford St. Milford, PA 18337

Phone: (570) 296-5005

Fax: (570) 296-5009

www.powertecfitness.com

LIFETIME WARRANTY