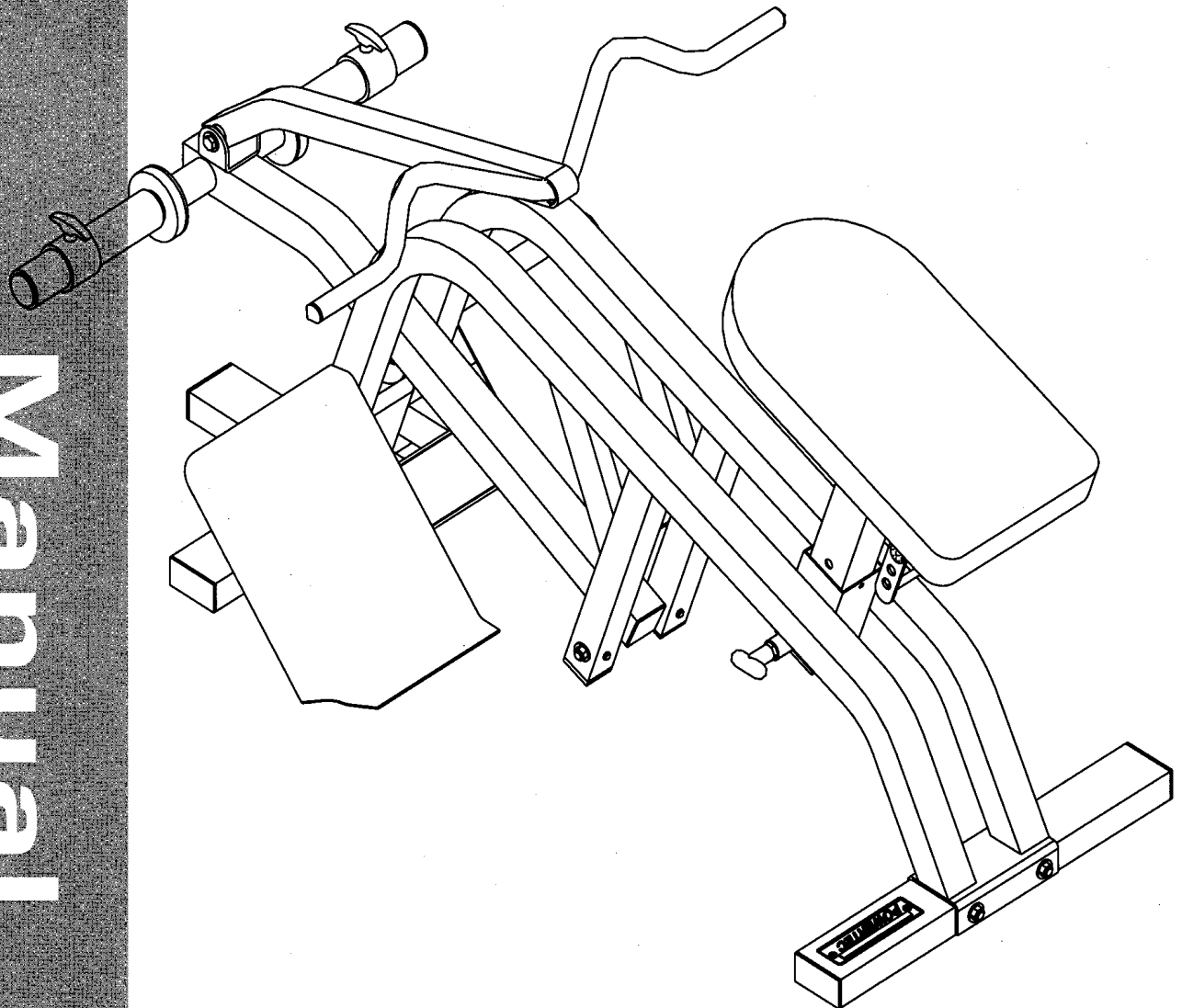


# POWERTEC

## LEVERAGE

### L-LR

Manual

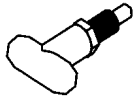


## LEVERAGE LOW ROW



# HARDWARE LIST

POWERTEC



19  $\square 75 \times 2.0 \times \square 60$  (qty:1)



21 M12x12t (qty:1)



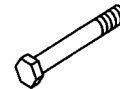
24 M12x82 (qty:1)



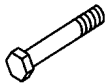
25  $3/8" \times 3/4"$  (qty:4)



26  $\phi 10 \times \phi 25 \times 2.0$ t (qty:6)



33  $1/2" \times 4 - 3/8"$  (qty:4)



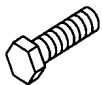
34  $1/2" \times 4 - 1/2"$  (qty:2)



36  $\phi 14 \times 28 \times 2.0$ t (qty:16)



37  $1/2" \times 16$ t (qty:8)



39  $3/8" \times 1 - 3/8"$  (qty:2)

L-LR

LEVERAGE LOW ROW

# PART LIST

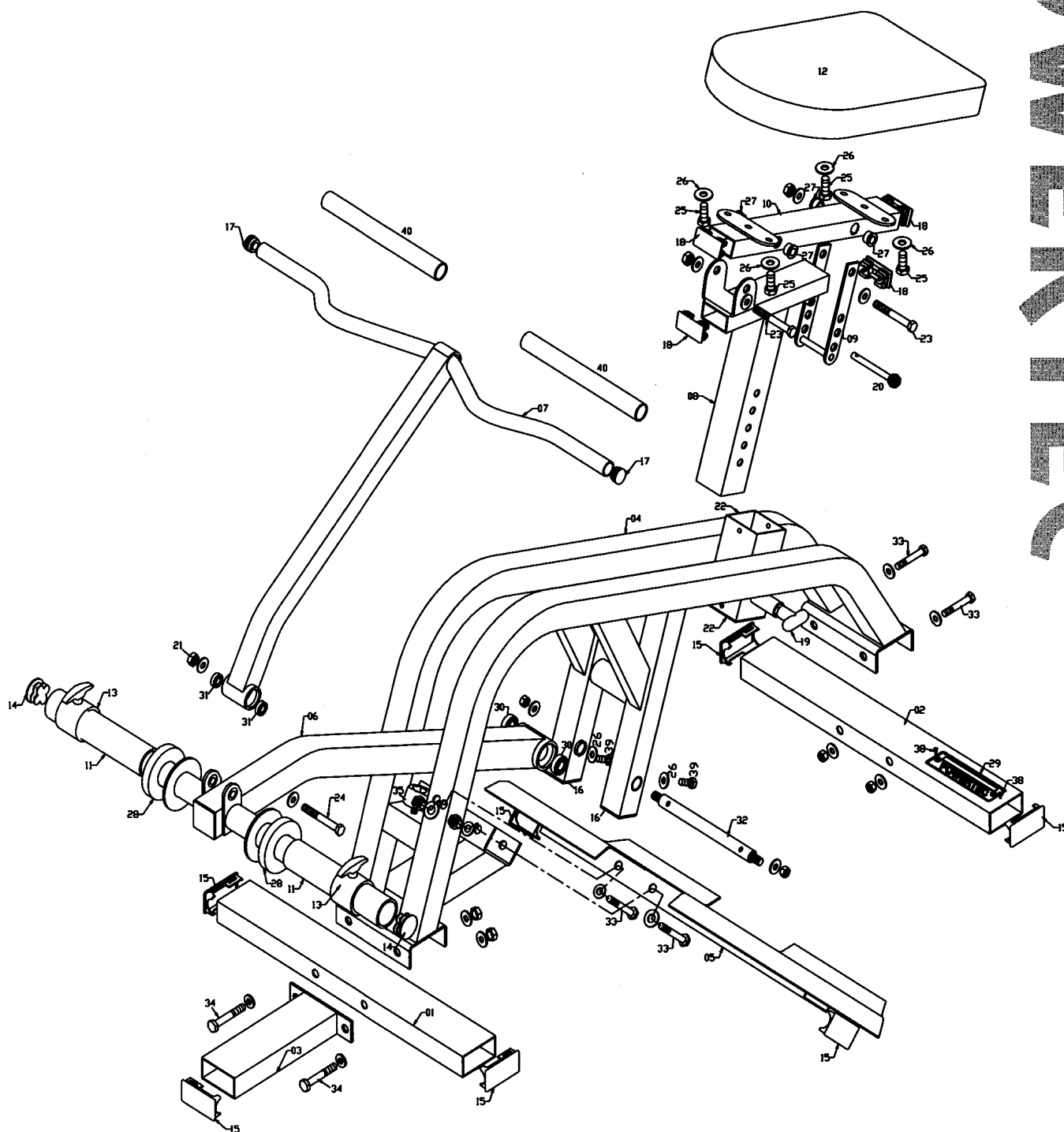
Part	Description	QTY	Part	Description	QTY
1	Front base tube	1	21	Nylon nut	1
2	Rear base tube	1	22	Square plastic bushing	2
3	Center base tube	1	23	Half thread hex bolt	2
4	Mainframe	2	24	Half-thread hex bolt	1
5	Foot plate	1	25	Hex bolt	4
6	Weight lever	1	26	Washer	6
7	Hand bar	1	27	Metal bushing	4
8	Seat post	1	28	Rubber bumper	2
9	Seat adjustment bracket	1	29	Name plate	1
10	Seat tube	1	30	Bearing	2
11	PVC sleeve	2	31	Bearing	2
12	Seat pad	1	32	Steel axis	1
13	Collar lock pin	2	33	Half-thread hex bolt	4
14	Round inner plug	2	34	Half-thread hex bolt	2
15	Square inner plug	7	35	Rubber bumper	1
16	Square inner plug	2	36	Washer	20
17	Round inner plug	2	37	Nylon nut	10
18	Square inner plug	4	38	Rivet	2
19	Spring lock pin	1	39	Hex bolt	2
20	Ball head lock pin	1	40	Rubber sleeve	2

**L-LR**

**LEVERAGE LOW ROW**

# EXPLODED DIAGRAM

# POWERTEC



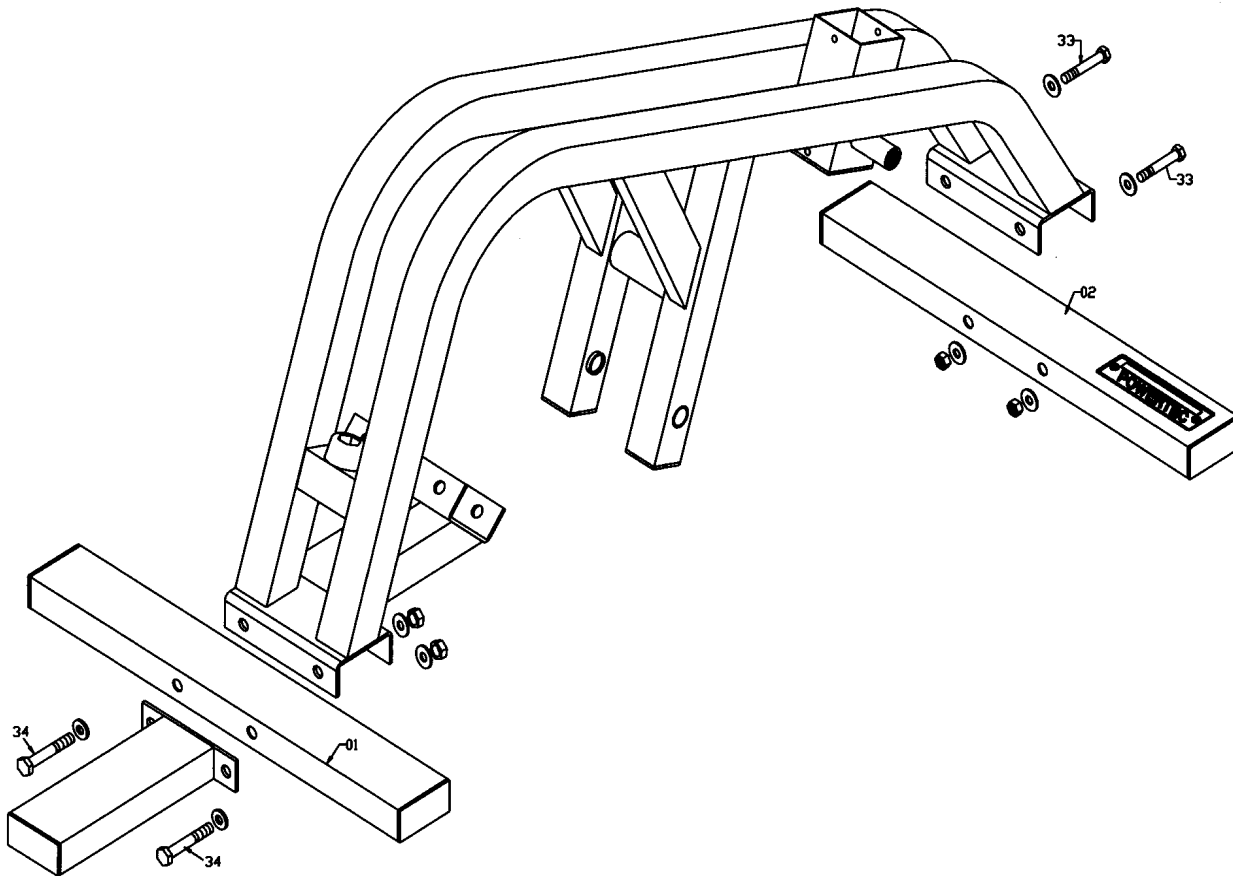
Remarks: All unmarked Washers are (36) and all unmarked Nylon Nuts are (37) .

## L-LR

## LEVERAGE LOW ROW

# ASSEMBLY ONE

**NOTE:** Always insert all bolts through holes prior to tightening due to precision fit



POWERTEC

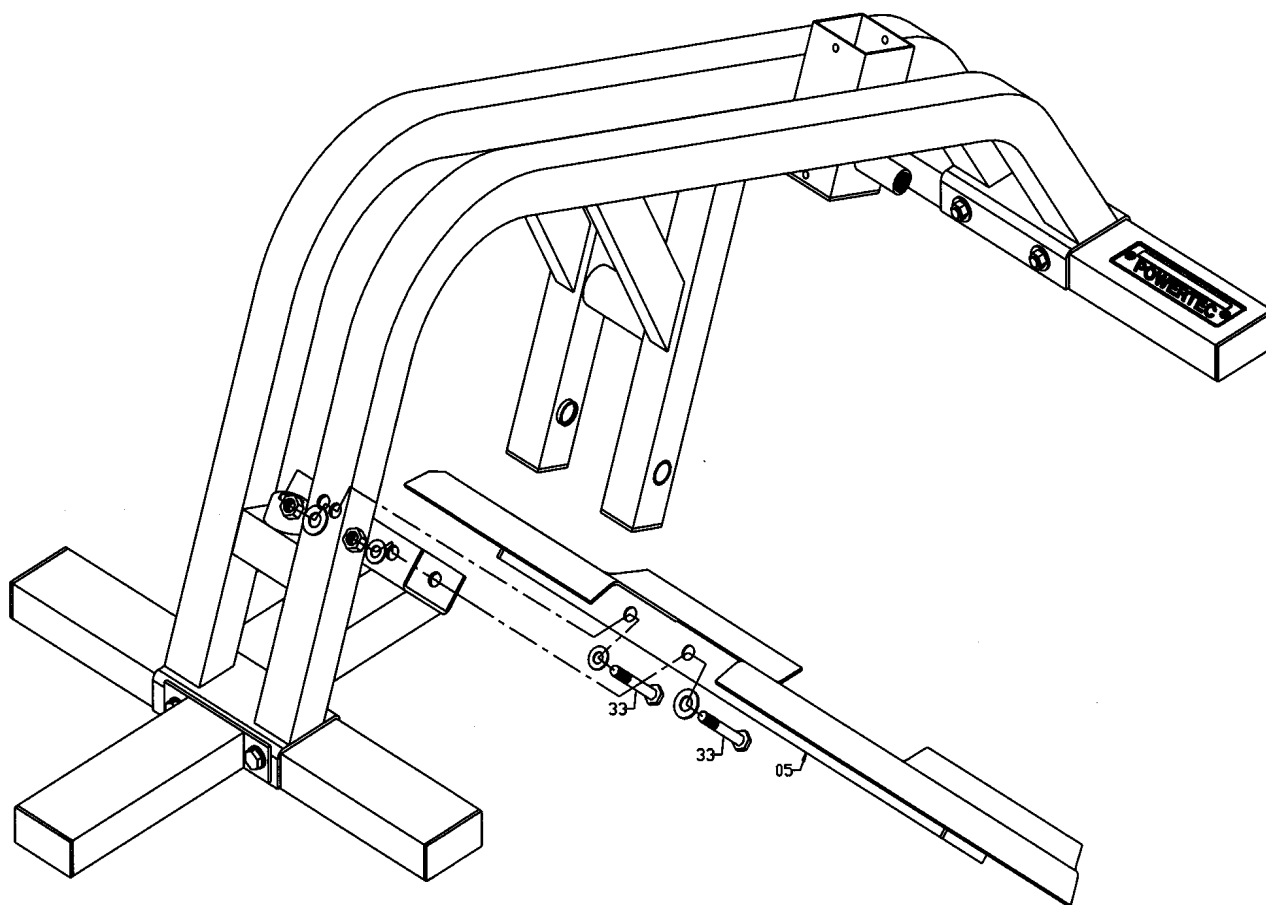
**Remarks:** All unmarked Washers are (36) and all unmarked Nylon Nuts are (37) .

L-LR

LEVERAGE LOW ROW

# ASSEMBLY TWO

POWERTEC



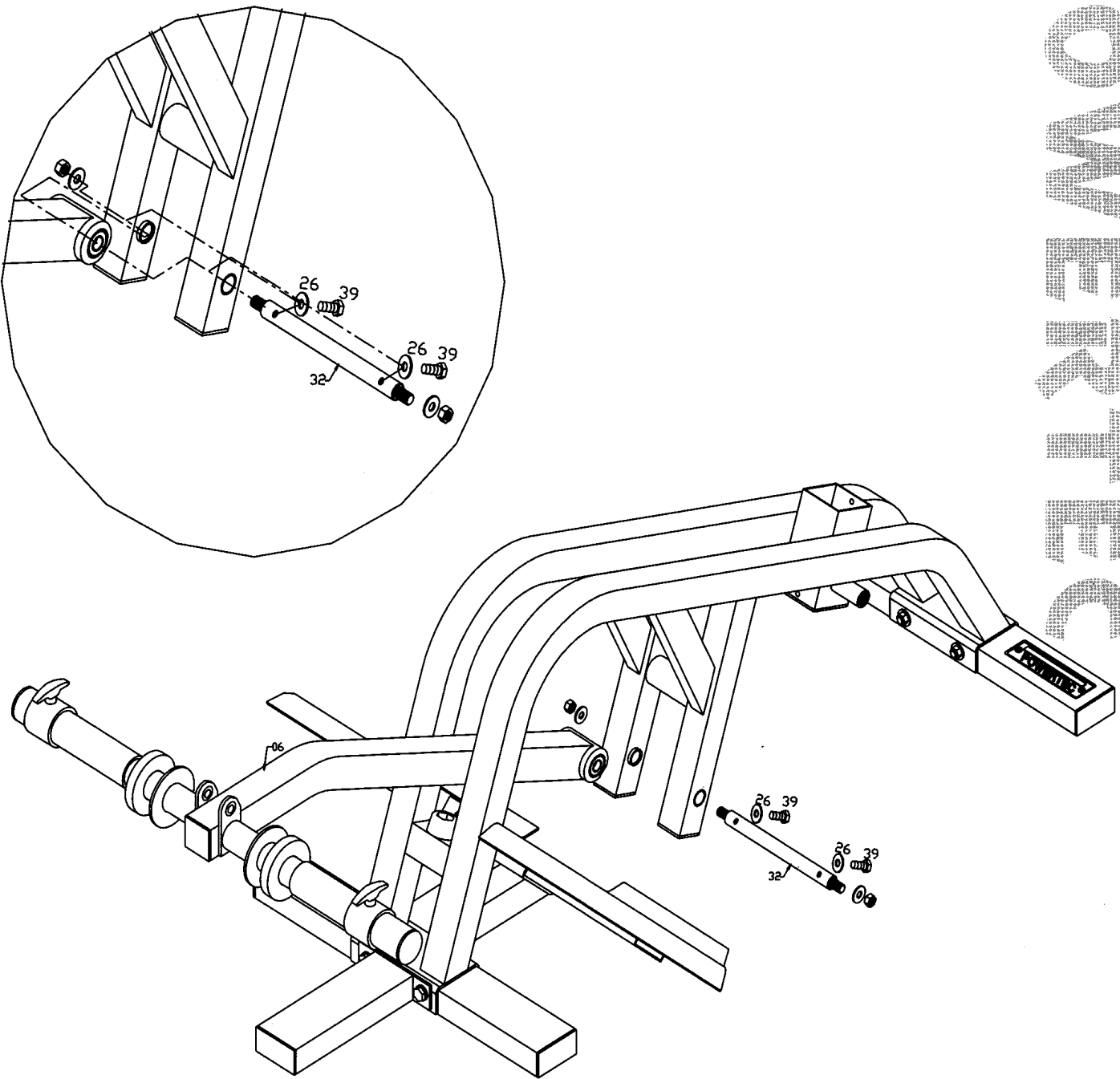
Remarks: All unmarked Washers are (36) and all unmarked Nylon Nuts are (37) .

## L-LR

# LEVERAGE LOW ROW

# ASSEMBLY THREE

POWERTEC



Remarks: All unmarked Washers are (36) and all unmarked Nylon Nuts are (37) .

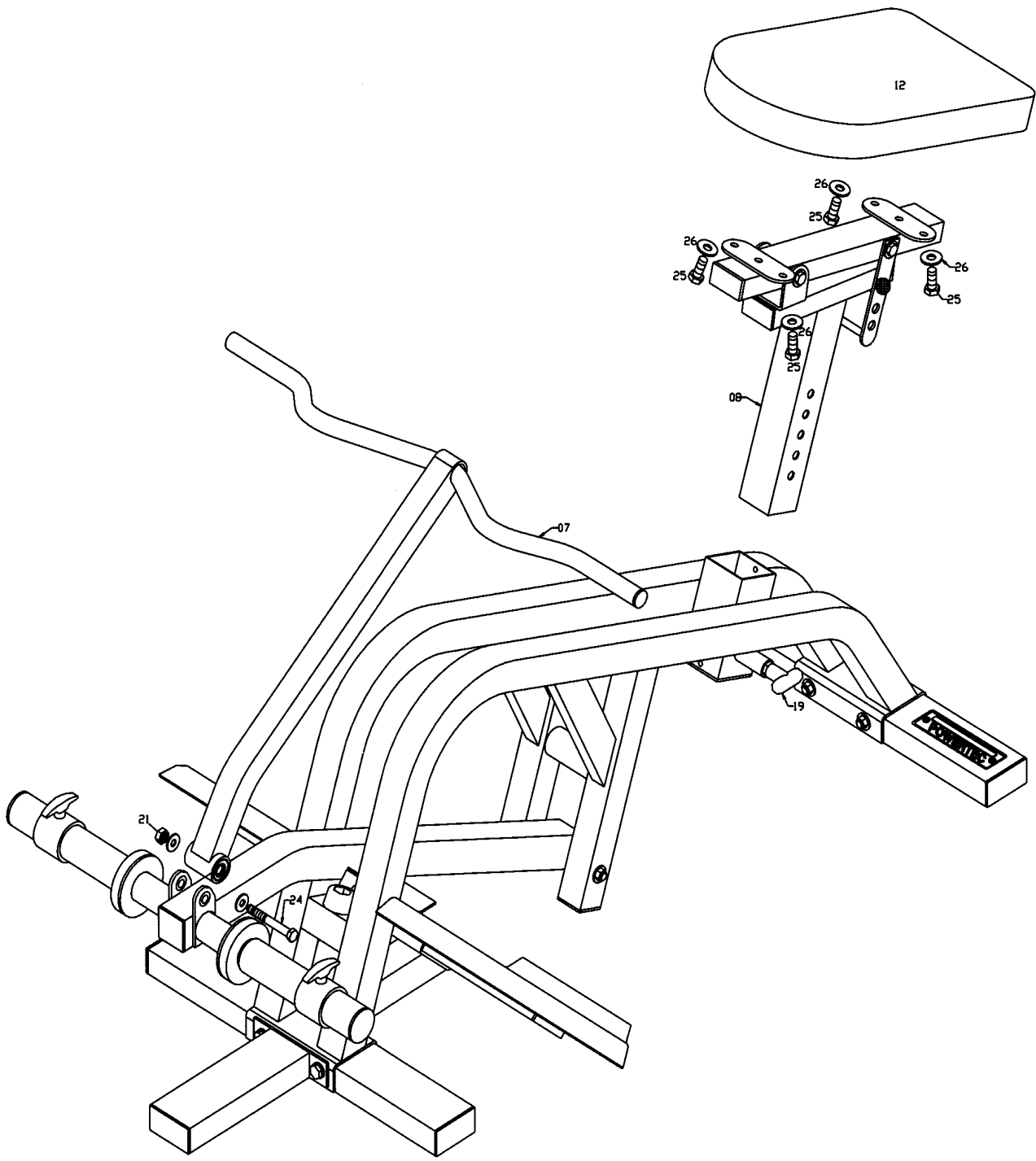
L-LR

LEVERAGE LOW ROW



# ASSEMBLY FOUR

POWERTEC



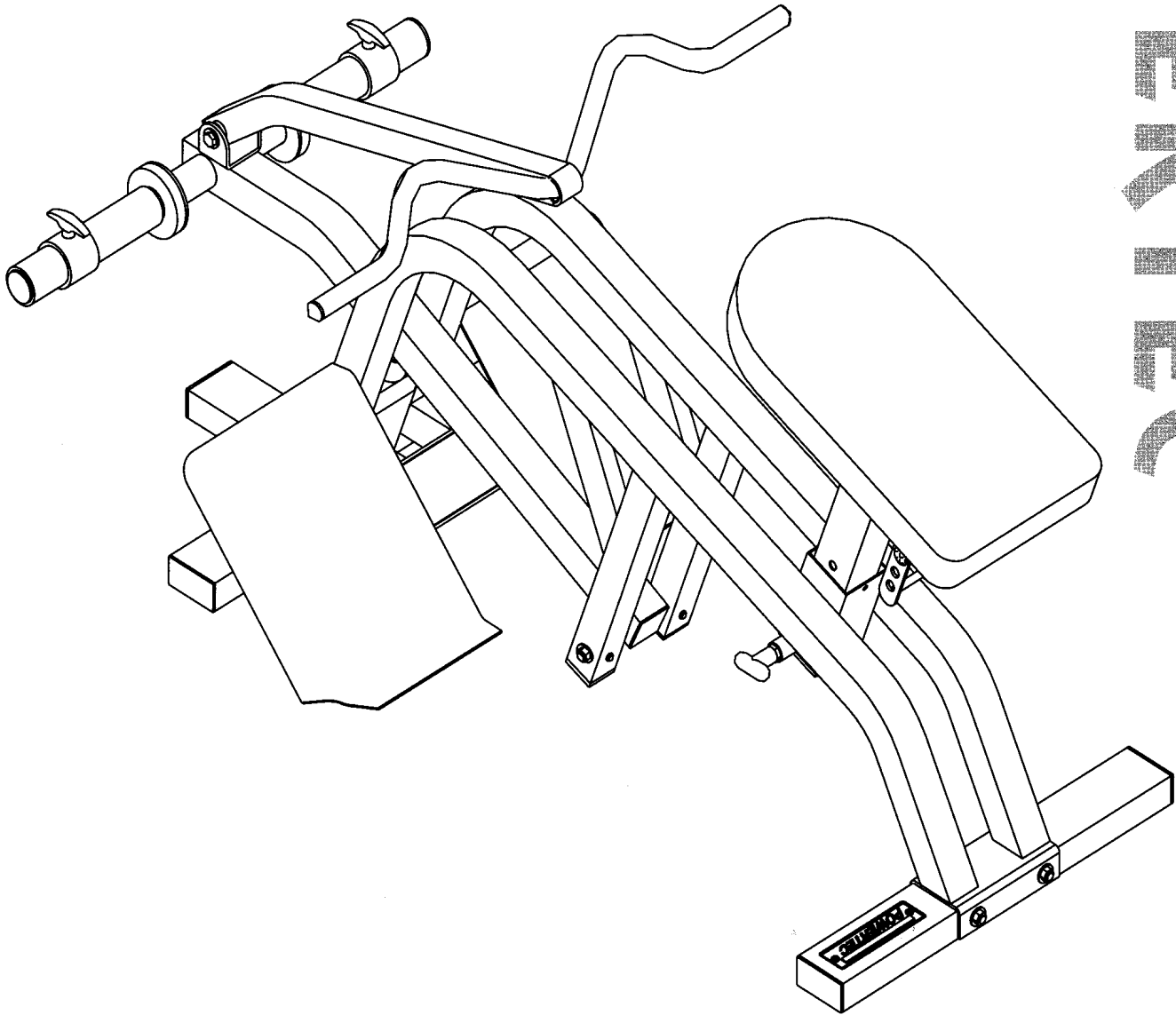
Remarks: All unmarked Washers are (36) .

L-LR

LEVERAGE LOW ROW

# ASSEMBLY FIVE

POWERTEC



Tighten all bolts before using this equipment !

L-LR

LEVERAGE LOW ROW



**POWERTEC** IS NOT LIABLE IF THE TRAINER SHOULD INJURE THEMSELVES WHILE USING **POWERTEC** EQUIPMENT OR WHILE PERFORMING THE TRAINING ROUTINE

# **POWERTEC**

**LEVERAGE**

## **POWERTEC, INC.**

601 W. Harford St. Milford, PA 18337

Phone: (570) 296-5005

Fax: (570) 296-5009

*[www.powertecfitness.com](http://www.powertecfitness.com)*

# **LIFETIME WARRANTY**