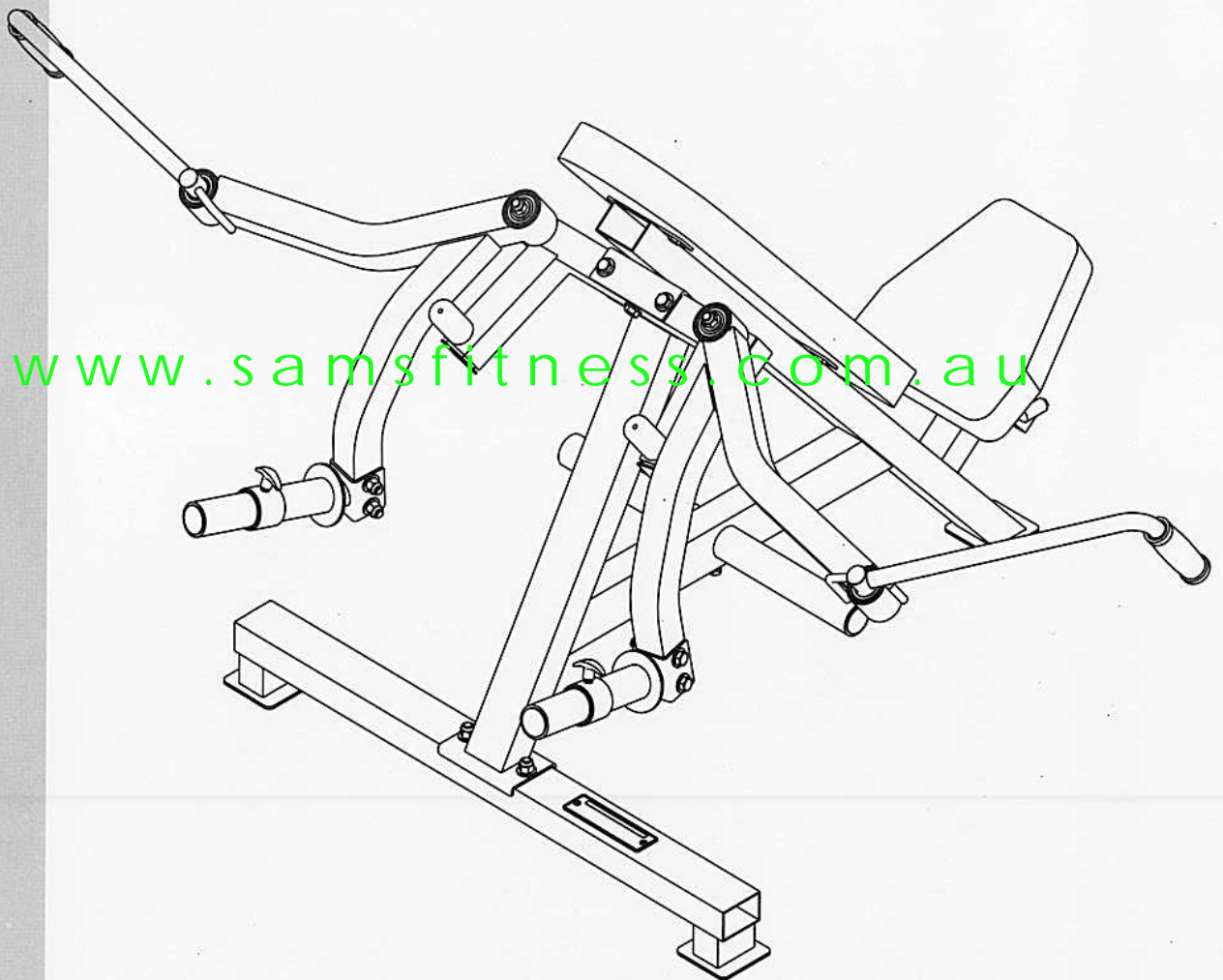


POWERTEC

LEVERAGE

L-PF-S



www.samsfitness.com.au

Manual

LEVERAGE PEC FLY

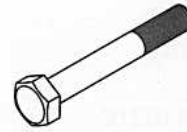
www.samsfitness.com.au

HARDWARE LIST

POWERTEC



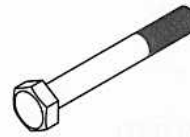
25 3/8"x1-1/2"(qty:2)



26 1/2"x2-1/2"(qty:3)



27 3/8"x1-3/4"(qty:6)



28 1/2"x3-5/16"(qty:6)

www.samsfitness.com.au



29 $\phi 10 \times \phi 25$ (qty:11)



30 $\phi 14 \times \phi 28 \times 2t$ (qty:26)



31 1/2"x16t"(qty:12)



34 3/8"x1"(qty:4)

L-PF-S

LEVERAGE PEC FLY

PART LIST

| Part | Description | QTY | Part | Description | QTY |
|------|----------------------|-----|------|----------------------|-----|
| 1 | Horizontal base | 1 | 19 | Bearing | 8 |
| 2 | Lilting mainframe | 1 | 20 | Collar | 2 |
| 3 | Pec fly support tube | 1 | 21 | Name plate | 1 |
| 4 | Pec fly arm tube | 2 | 22 | Spring pin | 1 |
| 5 | Weight storage horm | 1 | 23 | Rivet | 2 |
| 6 | Seat adj. bracket | 1 | 24 | Square inner plug | 2 |
| 7 | Pec fly handle | 2 | 25 | Hex bolt | 1 |
| 8 | Weight storage horm | 1 | 26 | Half thread hex bolt | 3 |
| 9 | Seat padding | 1 | 27 | Hex bolt | 6 |
| 10 | Backrest padding | 1 | 28 | Half thread hex bolt | 6 |
| 11 | Square inner plug | 3 | 29 | Washer | 11 |
| 12 | Square inner plug | 4 | 30 | Washer | 21 |
| 13 | Square inner plug | 6 | 31 | Nylon nut | 12 |
| 14 | Round inner plug | 4 | 32 | PVC sleeve | 2 |
| 15 | Rec. open end | 1 | 33 | PVC sleeve | 2 |
| 16 | Hand grip | 2 | 34 | Hex bolt | 4 |
| 17 | PVC sleeve | 2 | 35 | Small PVC sleeve | 4 |
| 18 | Rubber bumper | 2 | | | |

www.samsfitness.com.au

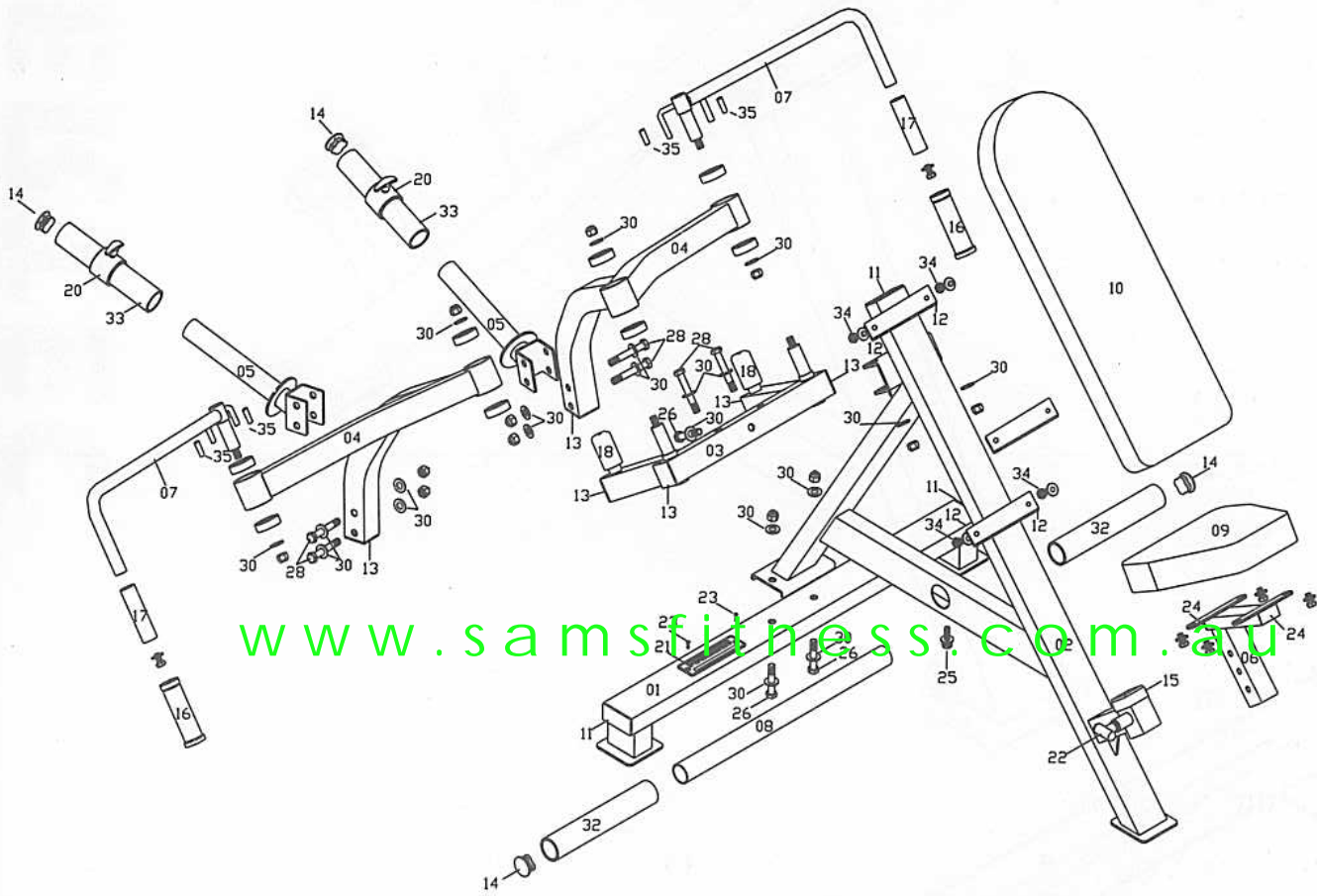
POWERTEC

L-PF-S

LEVERAGE PEC FLY

EXPLODED DIAGRAM

POWERTEC



Remarks: All unmarked Washers are (29) and all unmarked Nylon Nuts are (31) and all unmarked hex bolts are (27) and all unmarked bearings are (19).

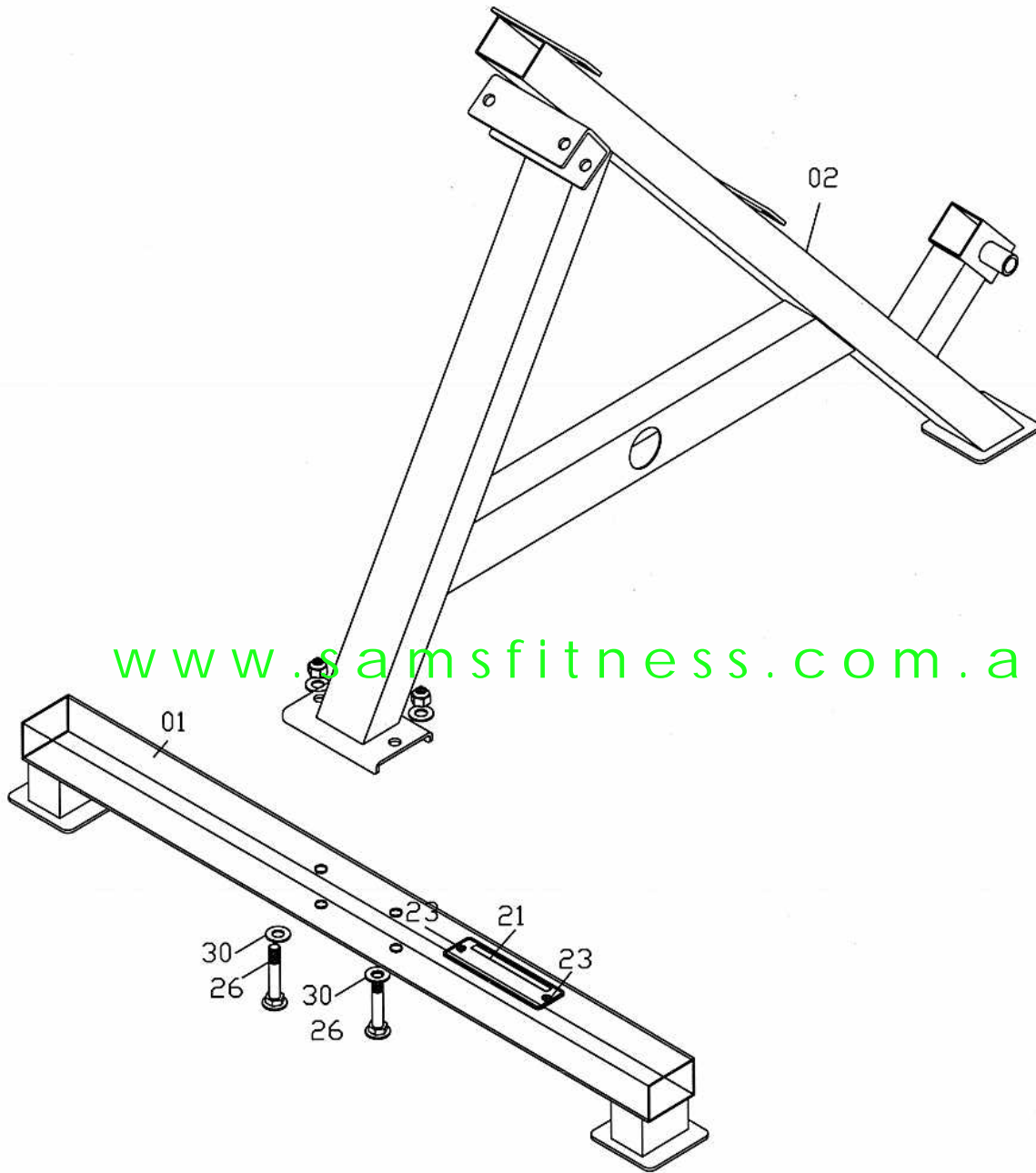
L-PF-S

LEVERAGE PEC FLY

ASSEMBLY ONE

NOTE: Always insert all bolts through holes prior to tightening due to precision fit

POWERTEC

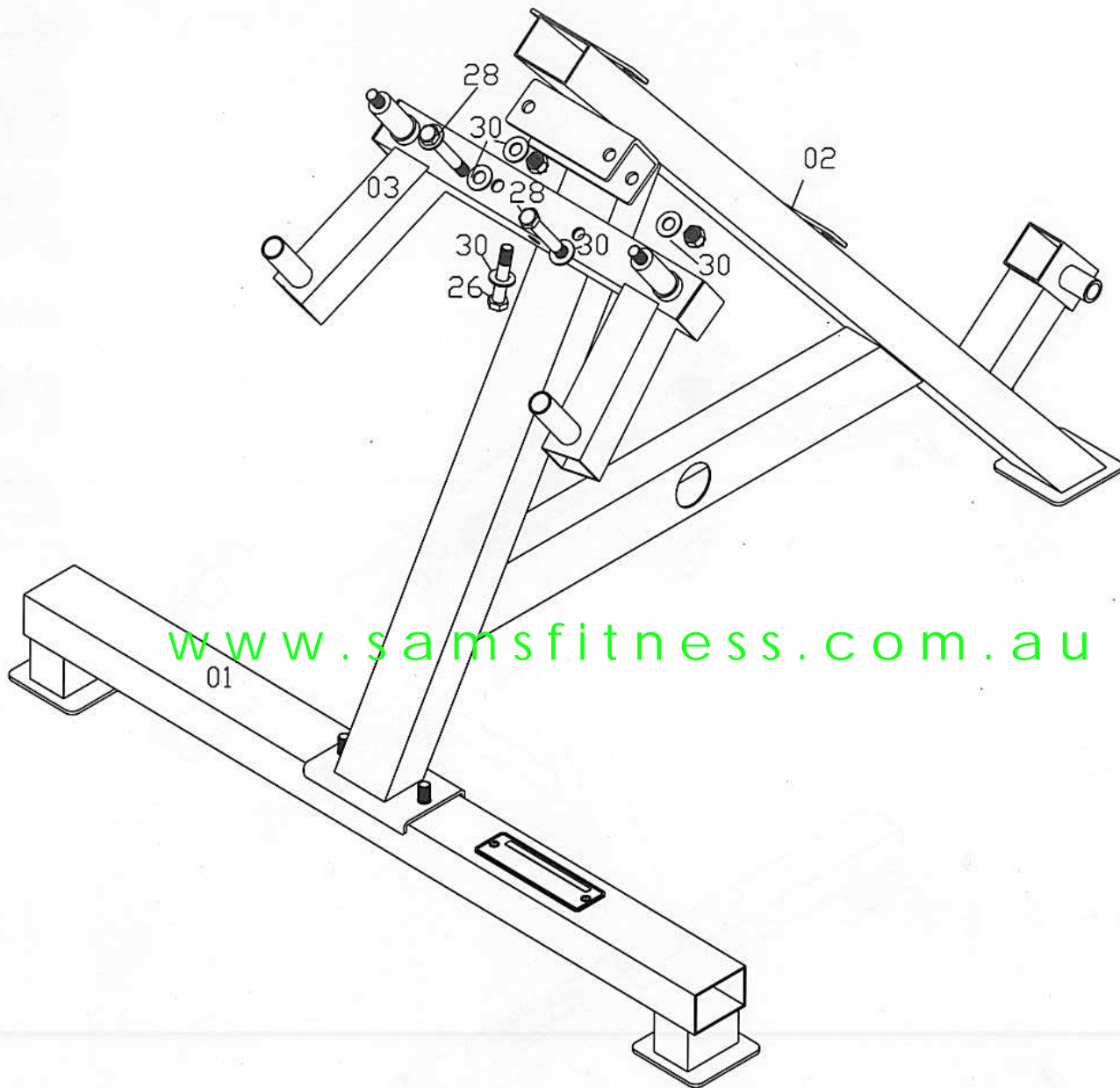


L-PF-S

LEVERAGE PEC FLY

ASSEMBLY TWO

POWERTEC



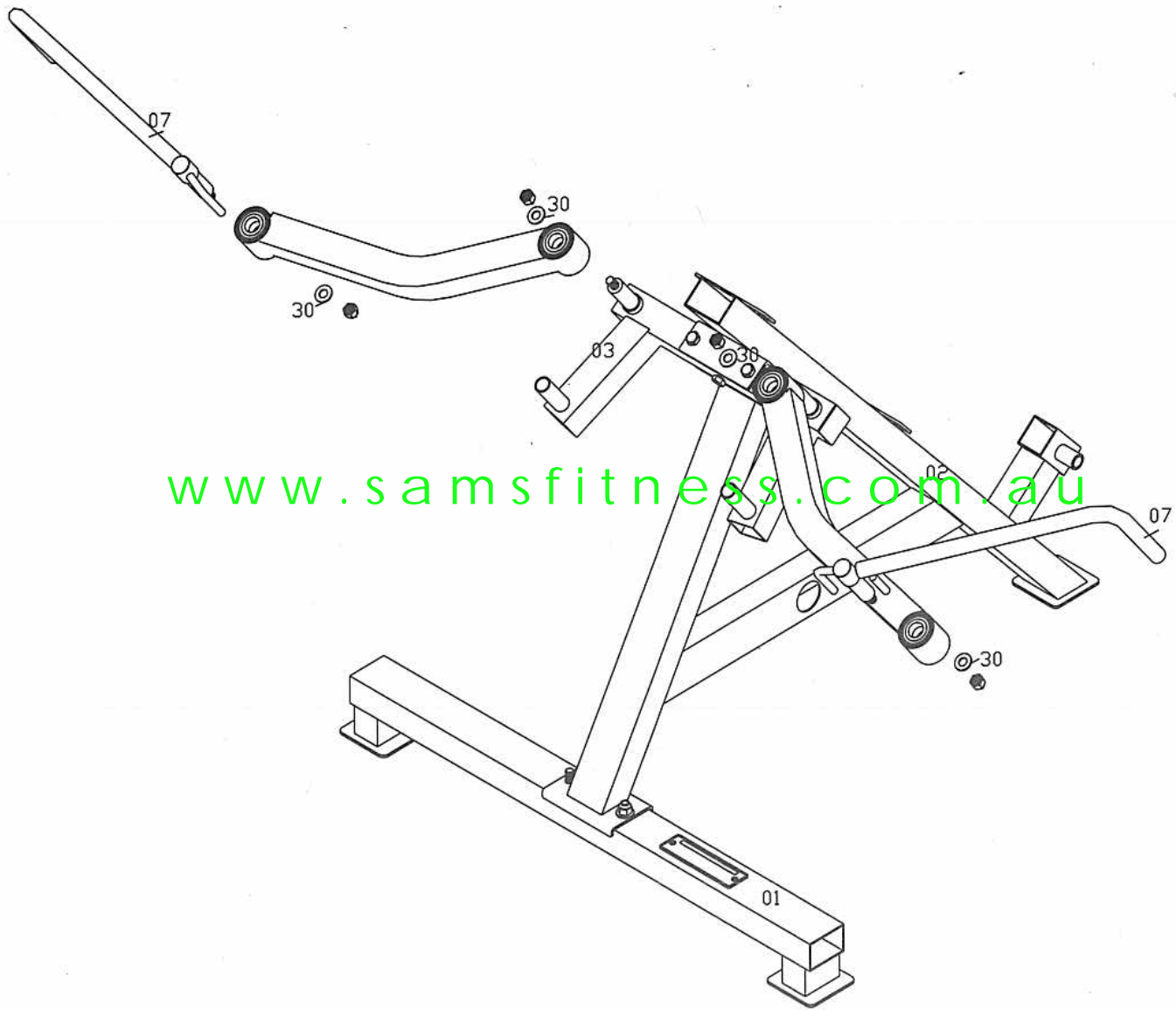
www.samsfitness.com.au

L-PF-S

LEVERAGE PEC FLY

ASSEMBLY THREE

POWERTEC



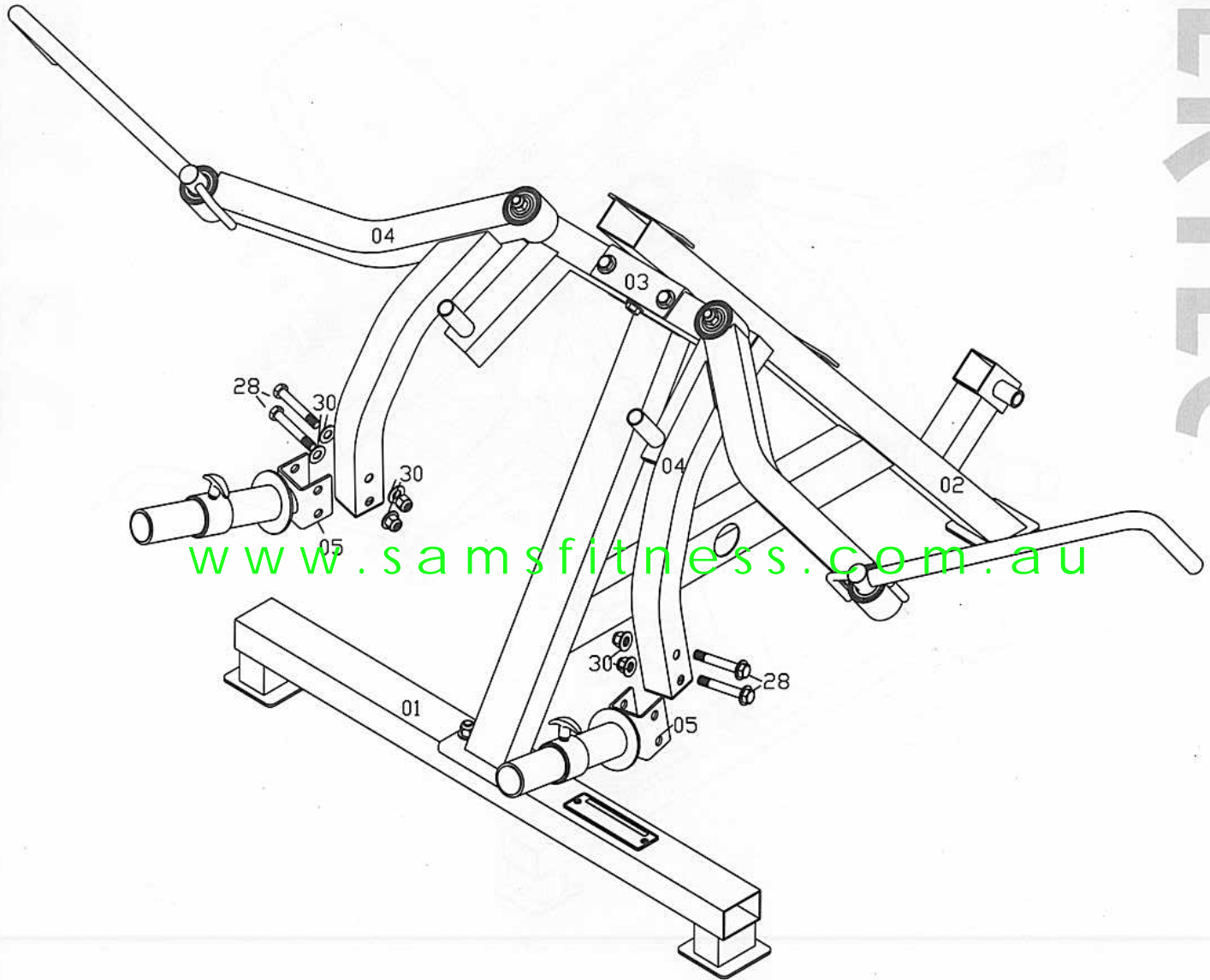
www.samsfitness.com.au

L-PF-S

LEVERAGE PEC FLY

ASSEMBLY FOUR

POWERTEC

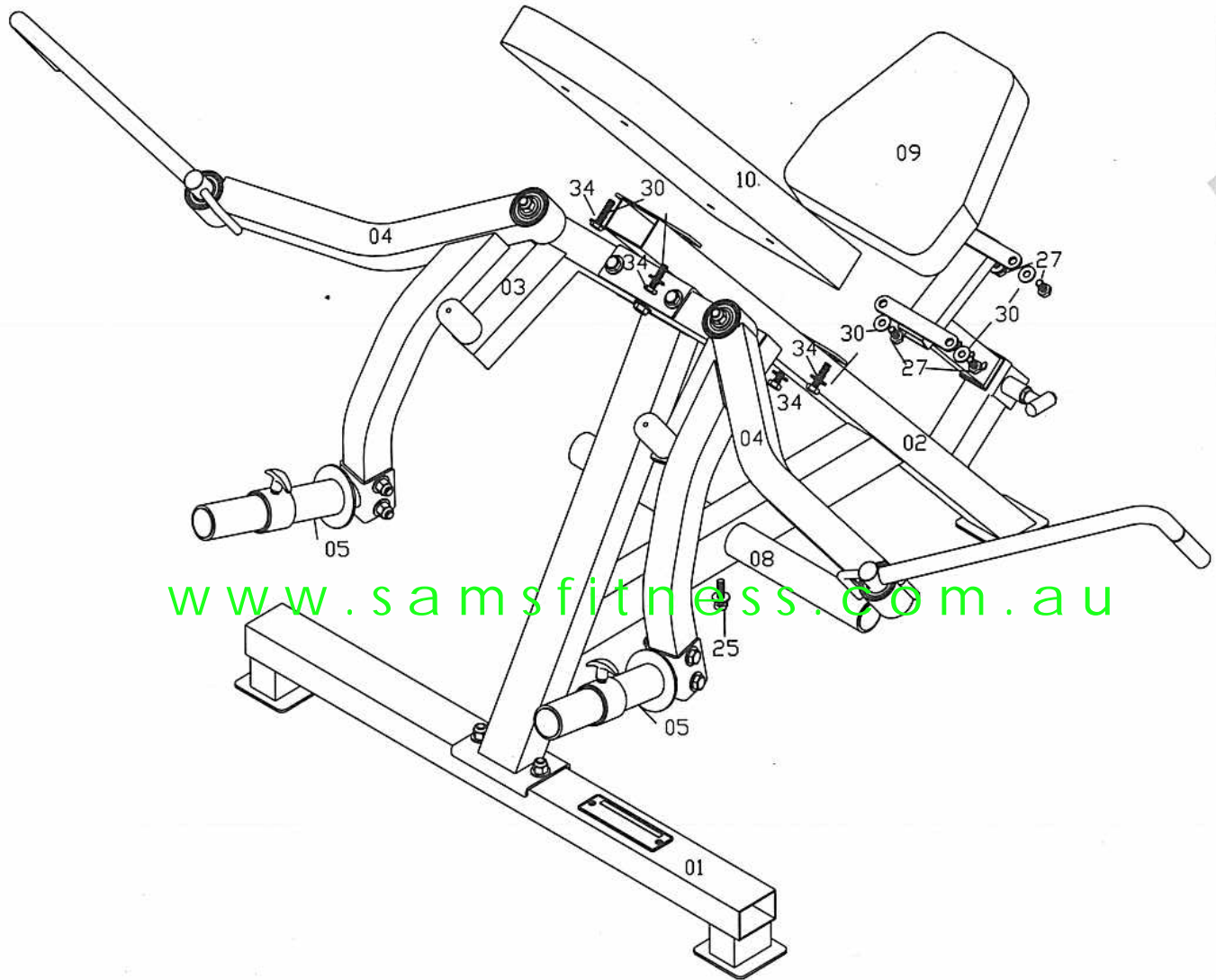


L-PF-S

LEVERAGE PEC FLY

ASSEMBLY FIVE

POWERTEC

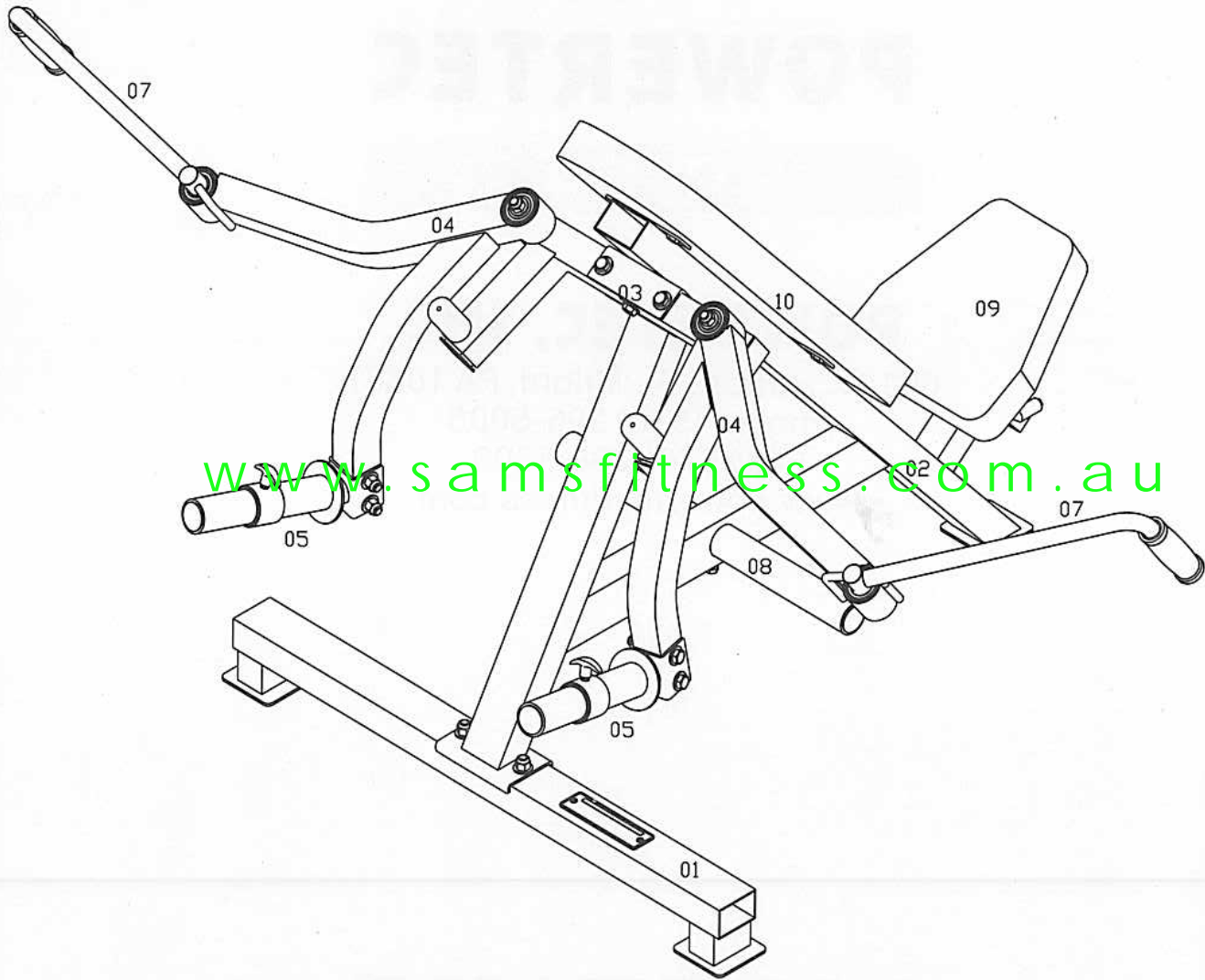


L-PF-S

LEVERAGE PEC FLY

ASSEMBLY SIX

POWERTEC



www.samsfitness.com.au

Tighten all bolts before using this equipment !

L-PF-S

LEVERAGE PEC FLY

POWERTEC IS NOT LIABLE IF THE TRAINER SHOULD INJURE THEMSELVES WHILE USING **POWERTEC** EQUIPMENT OR WHILE PERFORMING THE TRAINING ROUTINE

POWERTEC

LEVERAGE

POWERTEC, INC.

601 W. Harford St. Milford, PA 18337

Phone: (570) 296-5005

Fax: (570) 296-5009

www.samsfitness.com.au

www.powertecfitness.com

LIFETIME WARRANTY