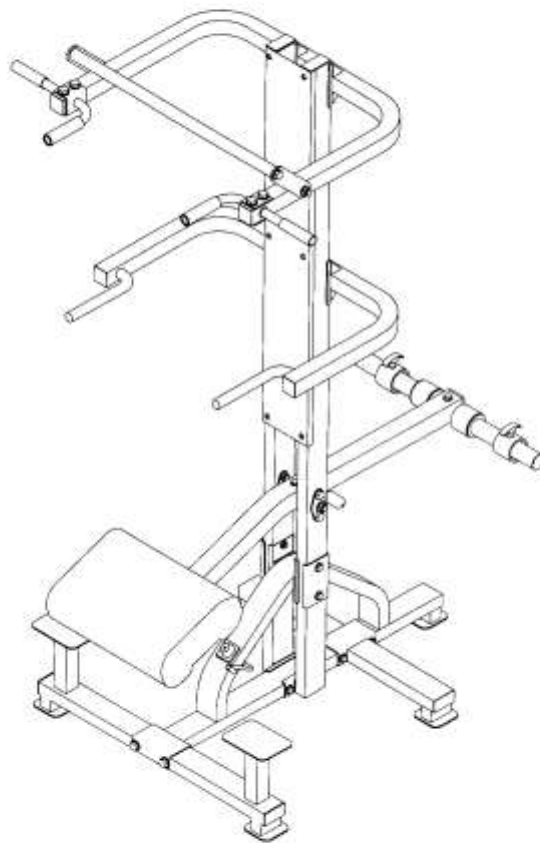


POWERTEC

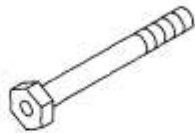
L- QF- CDA



LEVERAGE QUIKFIT SYSTEM

REF # LQFCDA050120

HARDWARE LIST



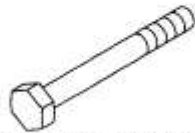
11 1/2"x4-1/4"(Qty: 0)



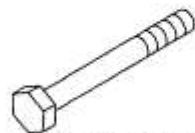
35 3/8"x1-1/2"(Qty: 0)



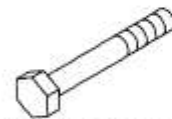
36 1/2"x3/4"(Qty: 2)



40 1/2"x3-1/8"(Qty: 6)



41 1/2"x4-1/4"(Qty: 10)



43 1/2"x3-1/4"(Qty: 0)



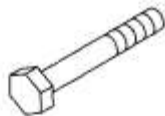
03 3/8"x11t(Qty: 1)



45 1/2"x16t(Qty: 20)



46 Ø10xØ.5x10t(Qty: 4)



39 1/2"x2-3/4"(Qty: 0)



52 M5x15(Qty: 6)



47 Ø14xØ.28x20t(Qty: 40)



51 1/2"x3/4"(Qty: 0)



37 1/2"x1-1/4"(Qty: 0)

* These hardware have pre-assembled on some parts at the factory

L- QF- CDA

ALFA ROMEO (S.p.A.) - VIA S. GIUSEPPE, 11 - 00187 ROMA - ITALY

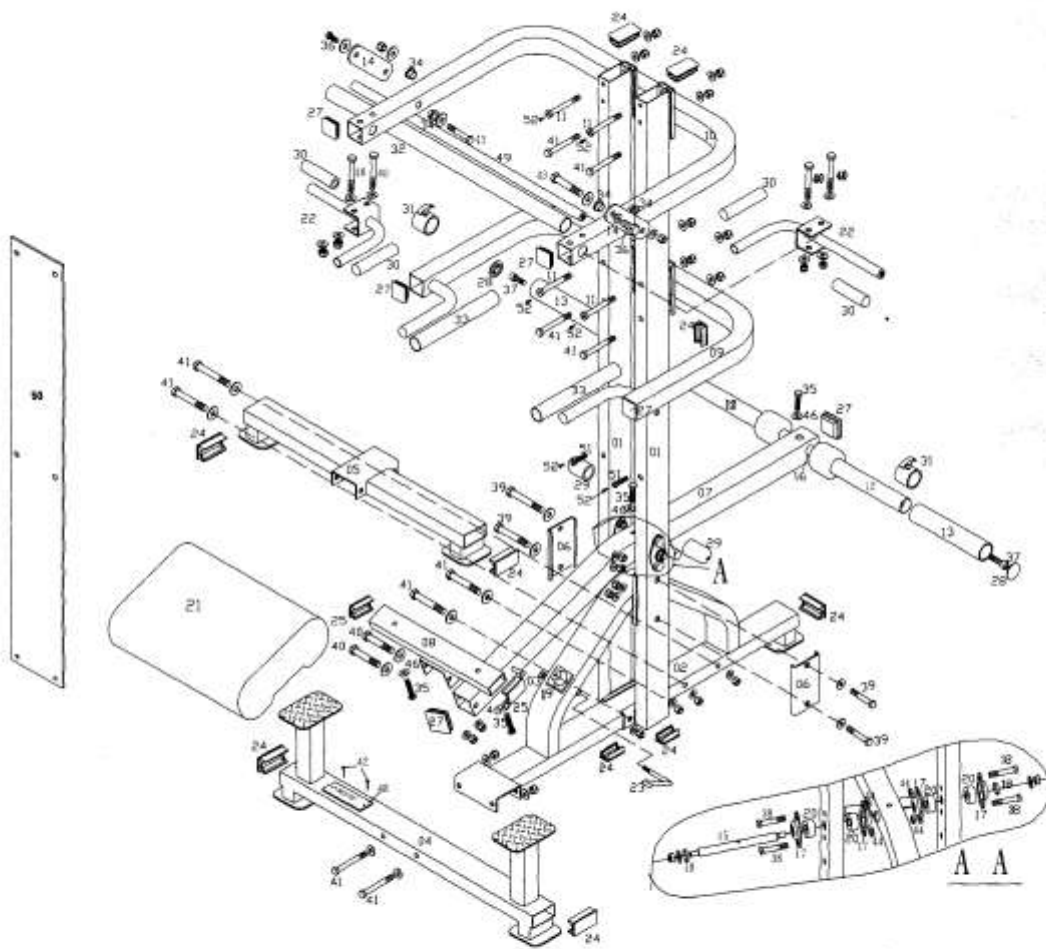
PART LIST

| Part | Description | QTY | Part | Description | QTY |
|------|----------------------|-----|------|----------------------------------|-----|
| 1 | Upright | 2 | 27 | Square Inner Plug | 6 |
| 2 | Base tube | 1 | 28 | Round Inner Plug | 2 |
| 3 | Nylon Nut | 1 | 29 | Round Rubber Bumper | 2 |
| 4 | Front Base Tube | 1 | 30 | PVC Sleeve | 4 |
| 5 | Rear Base Tube | 1 | 31 | Collar Set | 2 |
| 6 | Bracket | 2 | 32 | Hand Grip | 1 |
| 7 | Assist Lever Arm | 1 | 33 | PVC Sleeve | 2 |
| 8 | Knee Pad Tube | 1 | 34 | Metal Bushing | 4 |
| 9 | Middle "U" Arm | 1 | 35 | Hex Bolt | 4 |
| 10 | Upper "U" Arm | 1 | 36 | Hex Bolt | 2 |
| 11 | Half Thread Hex Bolt | 4 | 37 | Hex Pocket Bolt | 2 |
| 12 | Weight Adaptor | 2 | 38 | 1/2"x2-1/4"Half Thread Hex Bolt | 4 |
| 13 | PVC sleeve | 2 | 39 | 1/2"x2-3/4"Half thread hex bolt | 4 |
| 14 | Reinforcement Plate | 2 | 40 | 1/2"x3-1/8"Half thread hex bolt | 6 |
| 15 | Axis Steel | 2 | 41 | 1/2"x4-1/4"Half thread hex bolt | 10 |
| 16 | Weight tube | 1 | 42 | Rivet | 2 |
| 17 | Bearing shroud | 4 | 43 | 1/2"x3-1/4" Half thread hex bolt | 2 |
| 18 | Round Spacer | 2 | 44 | Nylon Nut | 4 |
| 19 | Round Rubber Bumper | 1 | 45 | Nylon Nut | 28 |
| 20 | Bearing | 4 | 46 | Washer | 4 |
| 21 | Knee Pad | 1 | 47 | Washer | 48 |
| 22 | Chin up Bar | 2 | 48 | Name Plate | 1 |
| 23 | Safety Hook | 1 | 49 | Chin Up Straight Bar | 1 |
| 24 | Rect. Inner Plug | 10 | 50 | Plastic Shroud | 1 |
| 25 | Rect. Inner Plug | 2 | 51 | Hex Bolt | 2 |
| 26 | Small Cap | 1 | 52 | Flash Head Screw | 6 |

L- QF- CDA

LEVERAGE BIKE SYSTEM

EXPLODED VIEW



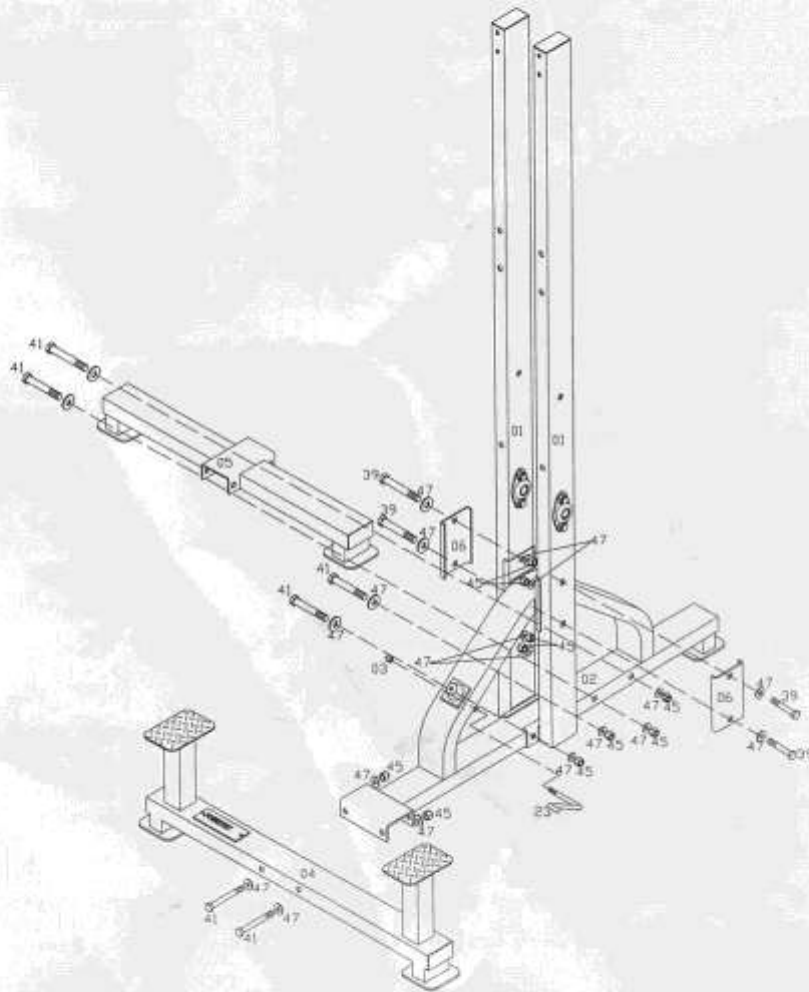
L-QF-CDA

LEVERAGE QUIKFIT SYSTEM

ASSEMBLY ONE

NOTE: Always insert all bolts through holes prior to tightening due to precision fit

POWERTEC

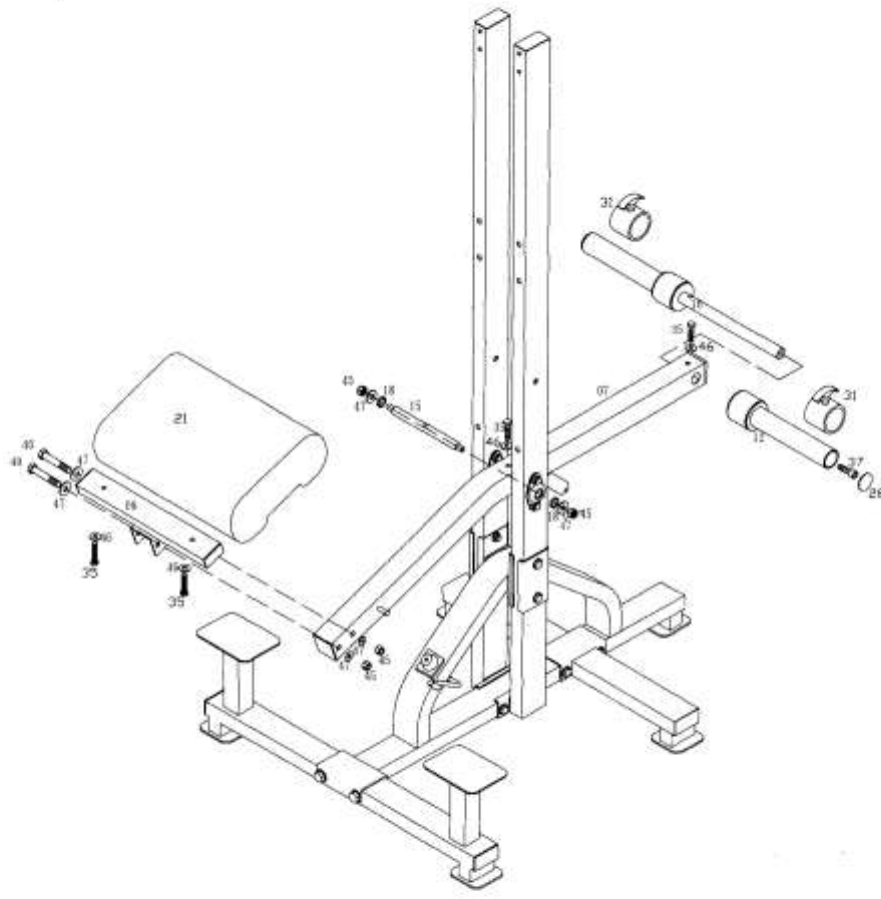


L-QF-CDA

LEVERAGE QUIKFIT SYSTEM

ASSEMBLY TWO

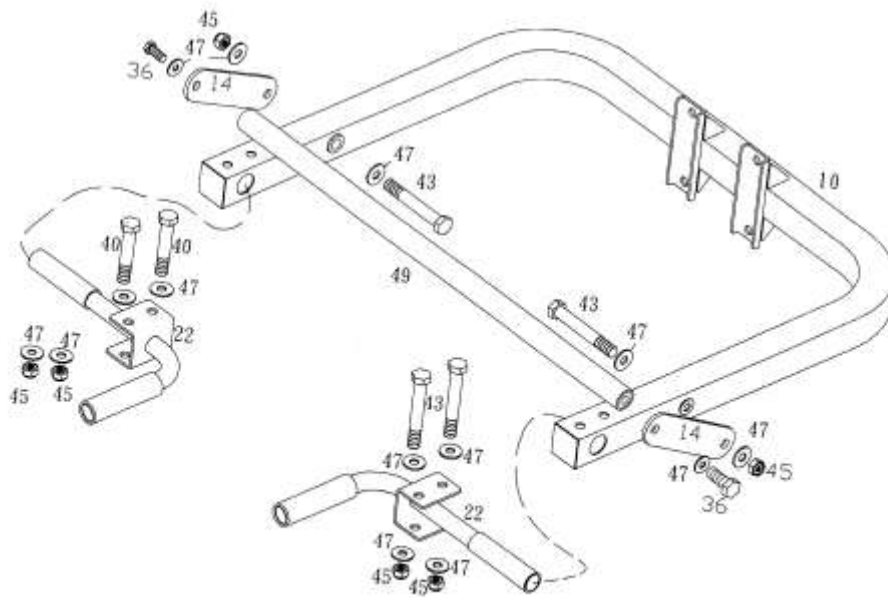
POWERTEC



L-QF-CDA



ASSEMBLY THREE

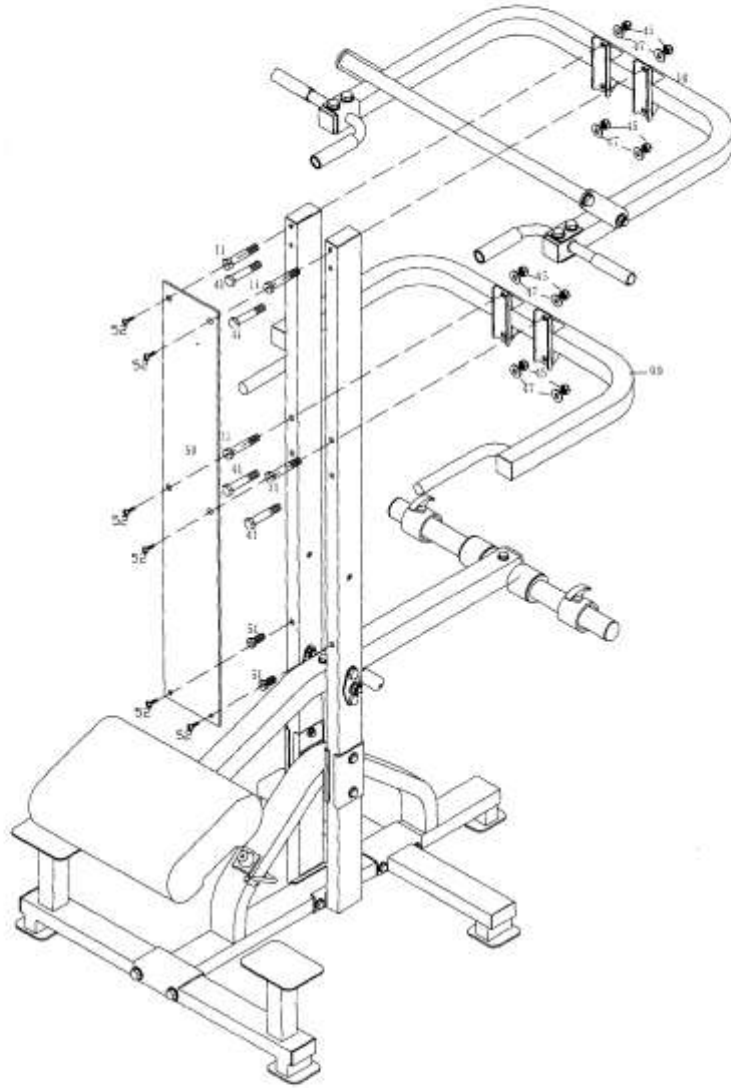


L-QF-CDA

LEVERAGE QUIKFIT SYSTEM

© 2000 The McGraw-Hill Companies. All rights reserved. This document is the property of The McGraw-Hill Companies. No part of this document may be reproduced or transmitted in any form or by any means, electronic or mechanical, including photocopying, recording, or by any information storage and retrieval system, without the prior written permission of The McGraw-Hill Companies.

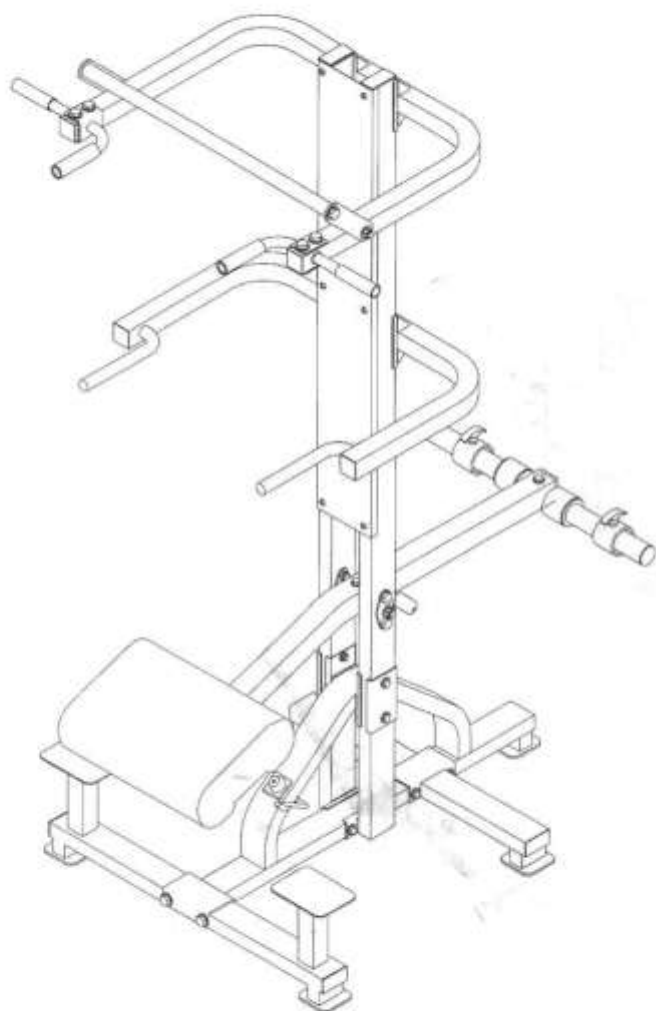
ASSEMBLY FOUR



L-QF-CDA

LEVERAGE-FITNESS-EXERCISE

ASSEMBLY FIVE



POWERTEC

L-QF-CDA

LEVERAGE QUIKFIT SYSTEM