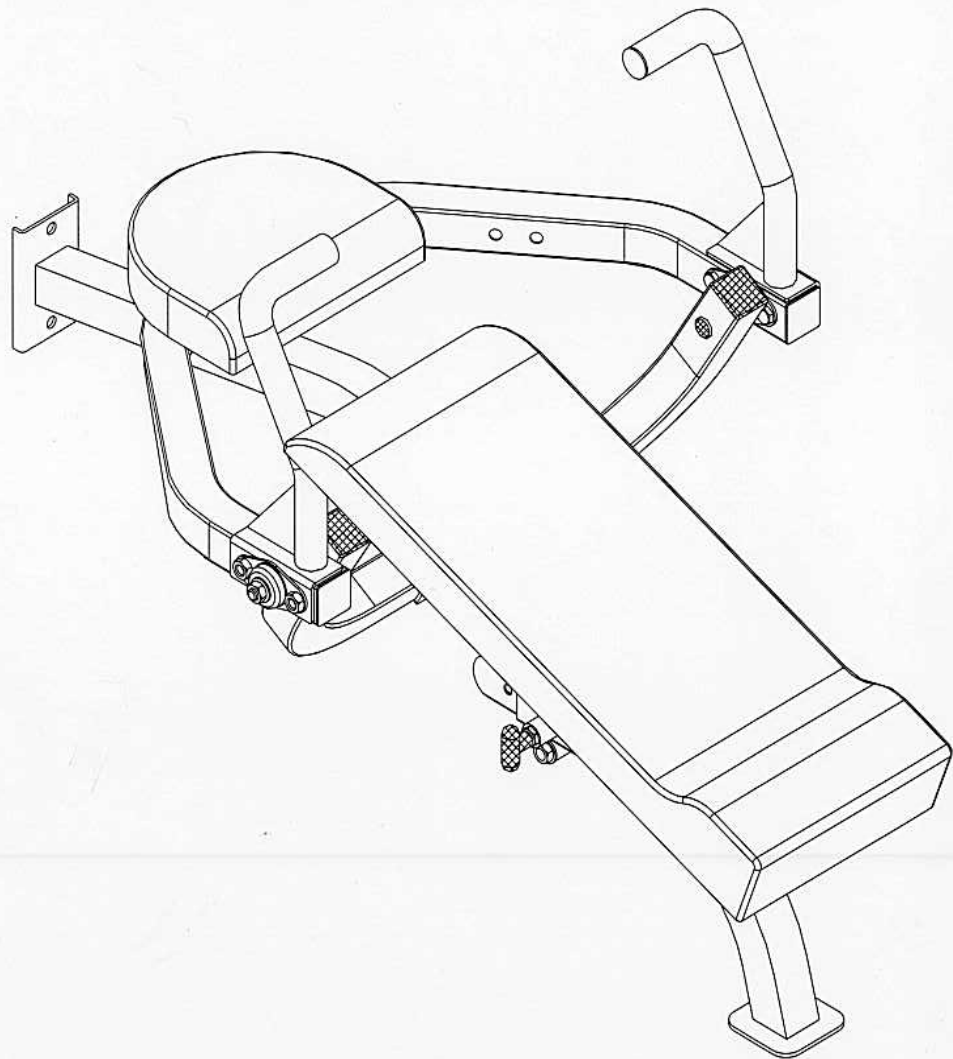


# POWERTEC

LEVERAGE

## L-QF-MC

Manual



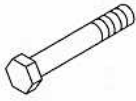
MAXI CRUNCH ATTACHMENT

### LEVERAGE QUIKFIT SYSTEM



# HARDWARE LIST

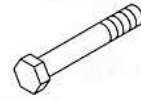
POWERTEC



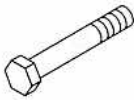
22 1/2"x3-3/4" (Qty:1)



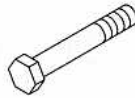
24 3/8"x1-1/2"(qty:2)



31 1/2"x7"(qty:2)



32 1/2"x3-1/8"(qty:8)



33 3/8"x2-1/2"(qty:2)



35 3/8x3/4"(qty:4)



29  $\varnothing$ 14x $\varnothing$ 28x2.0t(qty:16)



34  $\varnothing$ 8.5x $\varnothing$ 20x1.5t(qty:8)



02 1/2"x8t(qty:4)



30 1/2"x16t(qty:9)

\* These hardware have pre-assembled on some parts at the factory

## L- QF- MC

### LEVERAGE QUIKFIT SYSTEM

# PART LIST

POWERTEC

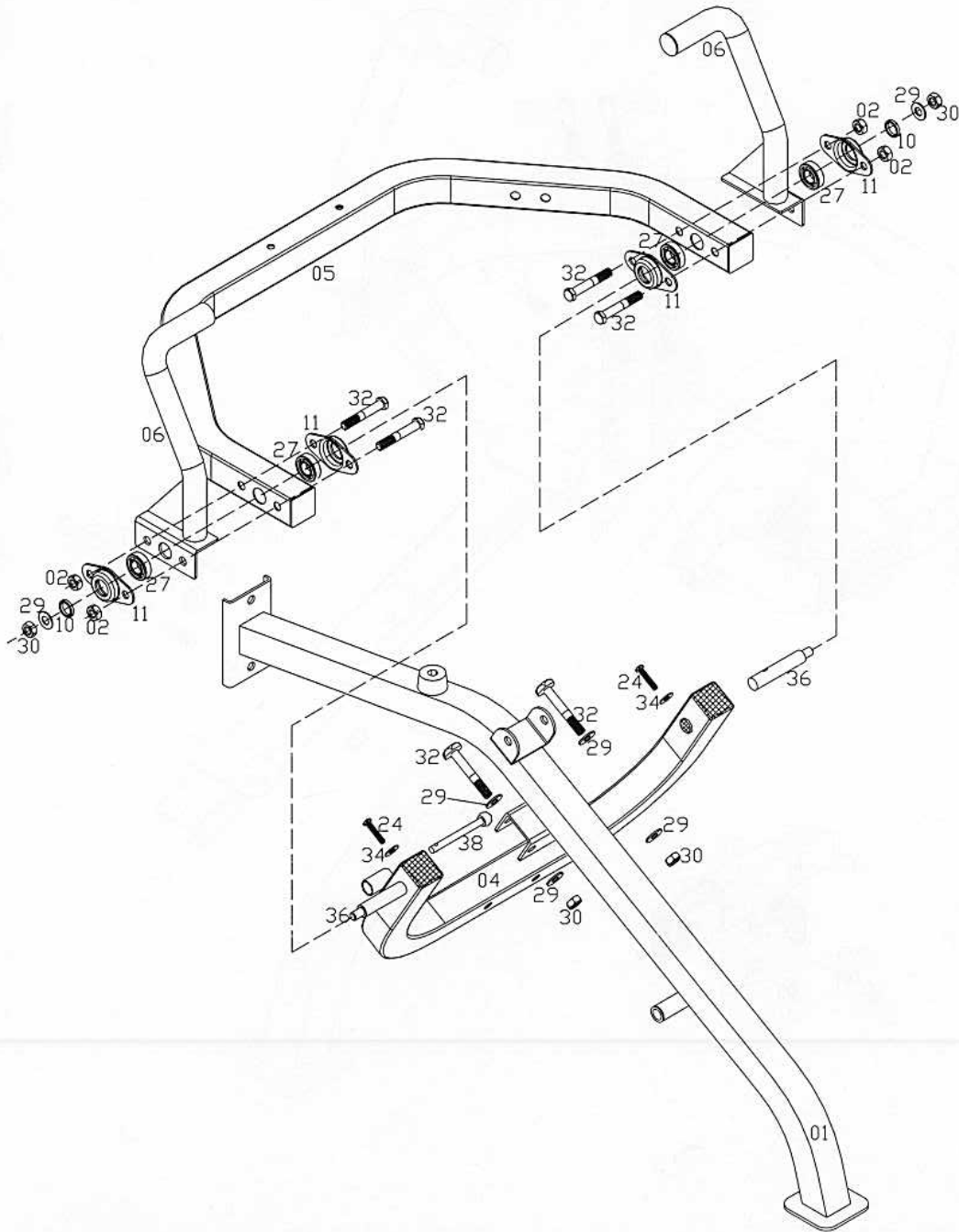
Part	Description	QTY	Part	Description	QTY
1	Main frame	1	23	Reck Inner Plug	1
2	Nylon Nut	4	24	Hex bolt	2
3	Backrest Tube	1	25	Square Inner Plug	1
4	□U□support Tube	1	26	Square Inner Plug	1
5	Headrest bar	1	27	Bearing	4
6	Handle bar	2	28	Metal Bushing	10
7	Weight Horn	1	29	Washer	16
8	Backrest Adjustment Tube	1	30	Nylon Nut	9
9	Backrest Adjustment Bracket	1	31	Half thread hex bolt	2
10	Spacer	2	32	Half thread hex bolt	8
11	Bearing Shroud	4	33	Half thread hex bolt	2
12	Headrest Pad	1	34	Washing	8
13	Backrest Pad	1	35	Half thread hex bolt	4
14	Rubber Bumper	1	36	Axis Steel	1
15	PVC Sleeve	1	37	Round Inner Plug	2
16	Round Inner Plug	1	38	Ball head Lock Pin	1
17	Collar	1	39	Rubber Bumper	1
18	Round Inner Plug	2			
19	Hand grip	2			
20	Square Inner Plug	5			
21	Spring Lock Pin	1			
22	Half thread hex bolt	1			

**L- QF- MC**

**LEVERAGE QUIKFIT SYSTEM**

# ASSEMBLY ONE

**NOTE: Always insert all bolts through holes prior to tightening due to precision fit**



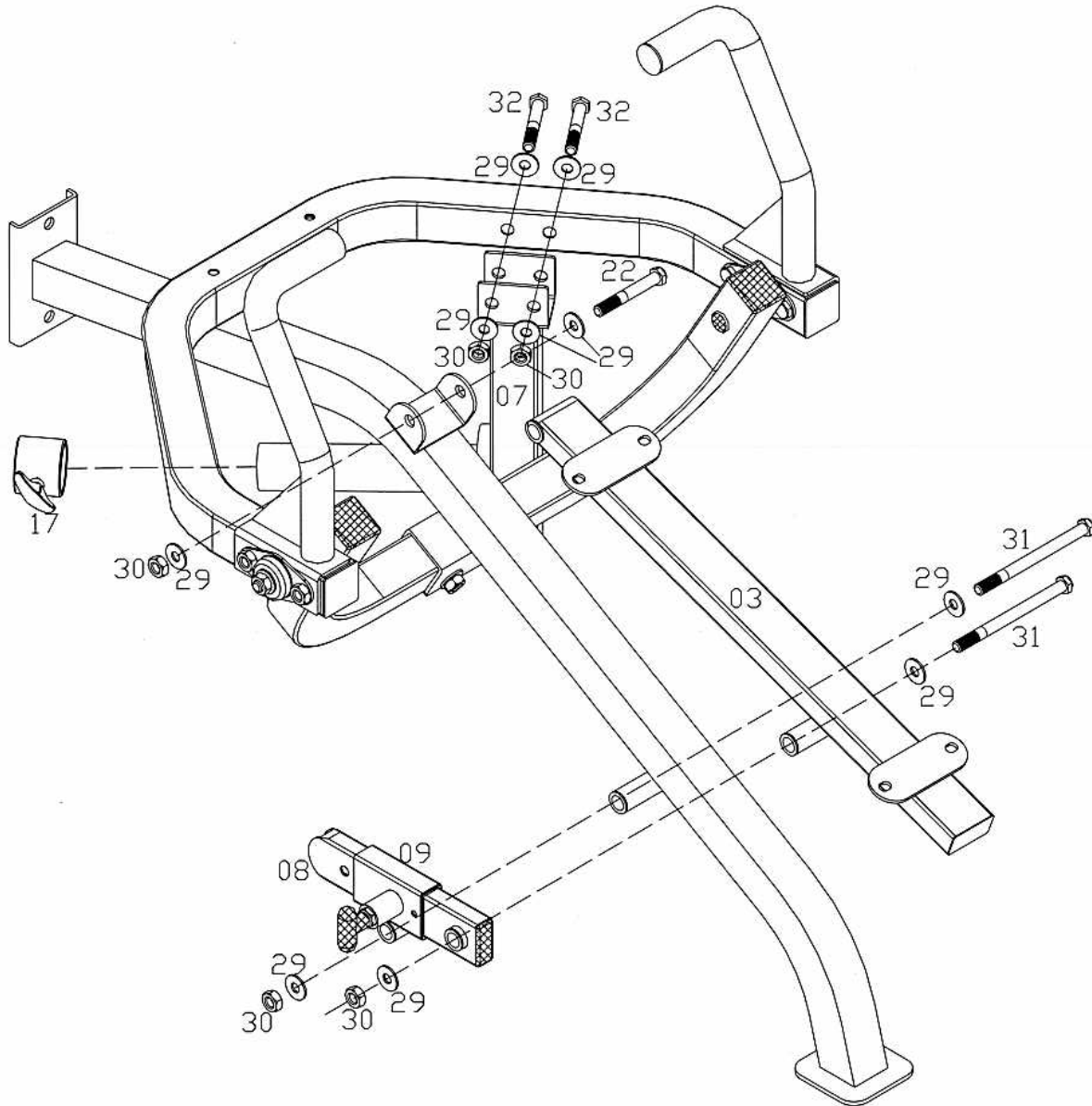
POWERTEC

## L-QF-MC

### LEVERAGE QUIKFIT SYSTEM

# ASSEMBLY TWO

POWERTEC

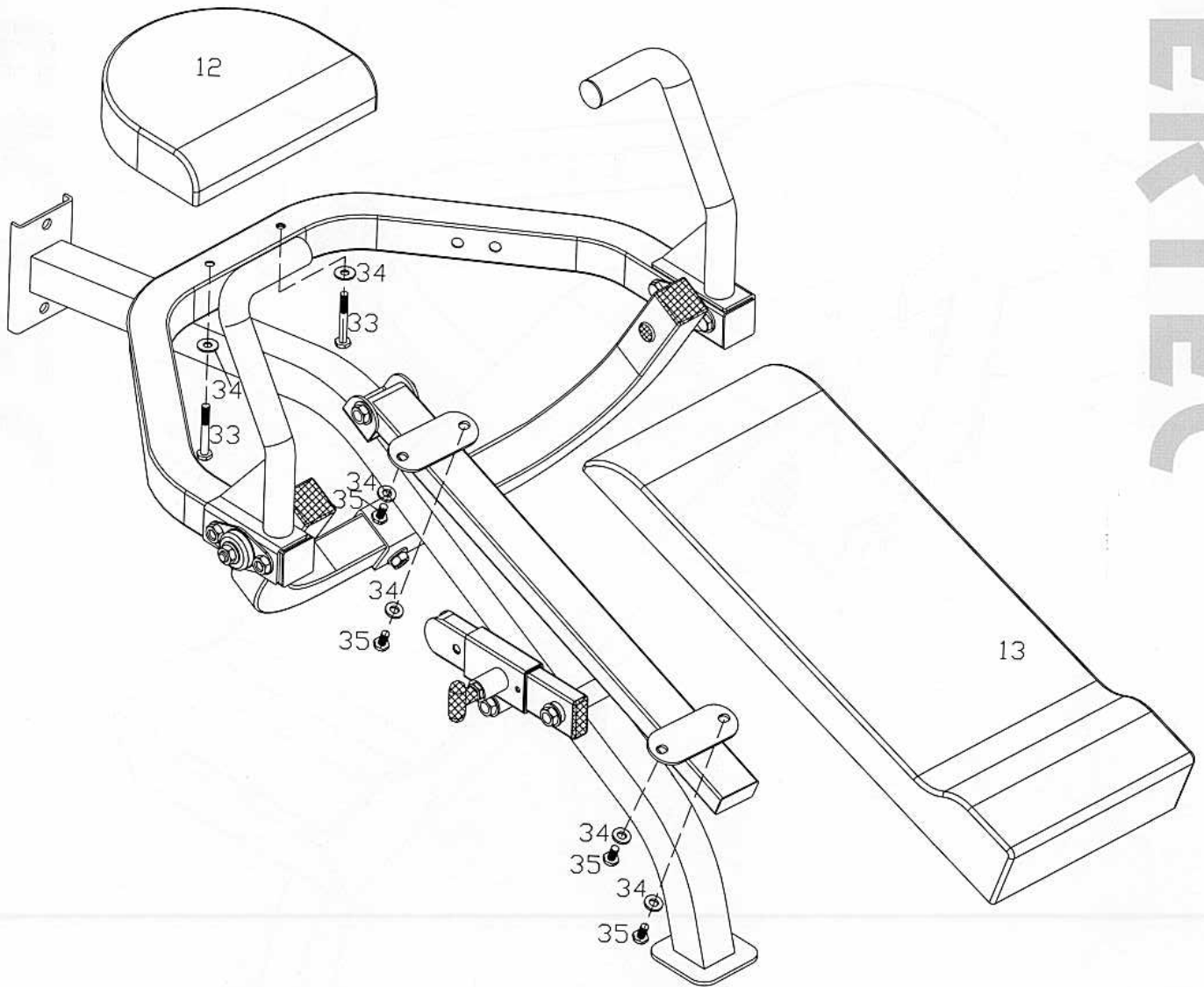


## L-QF-MC

LEVERAGE QUIKFIT SYSTEM

# ASSEMBLY THREE

POWERTEC

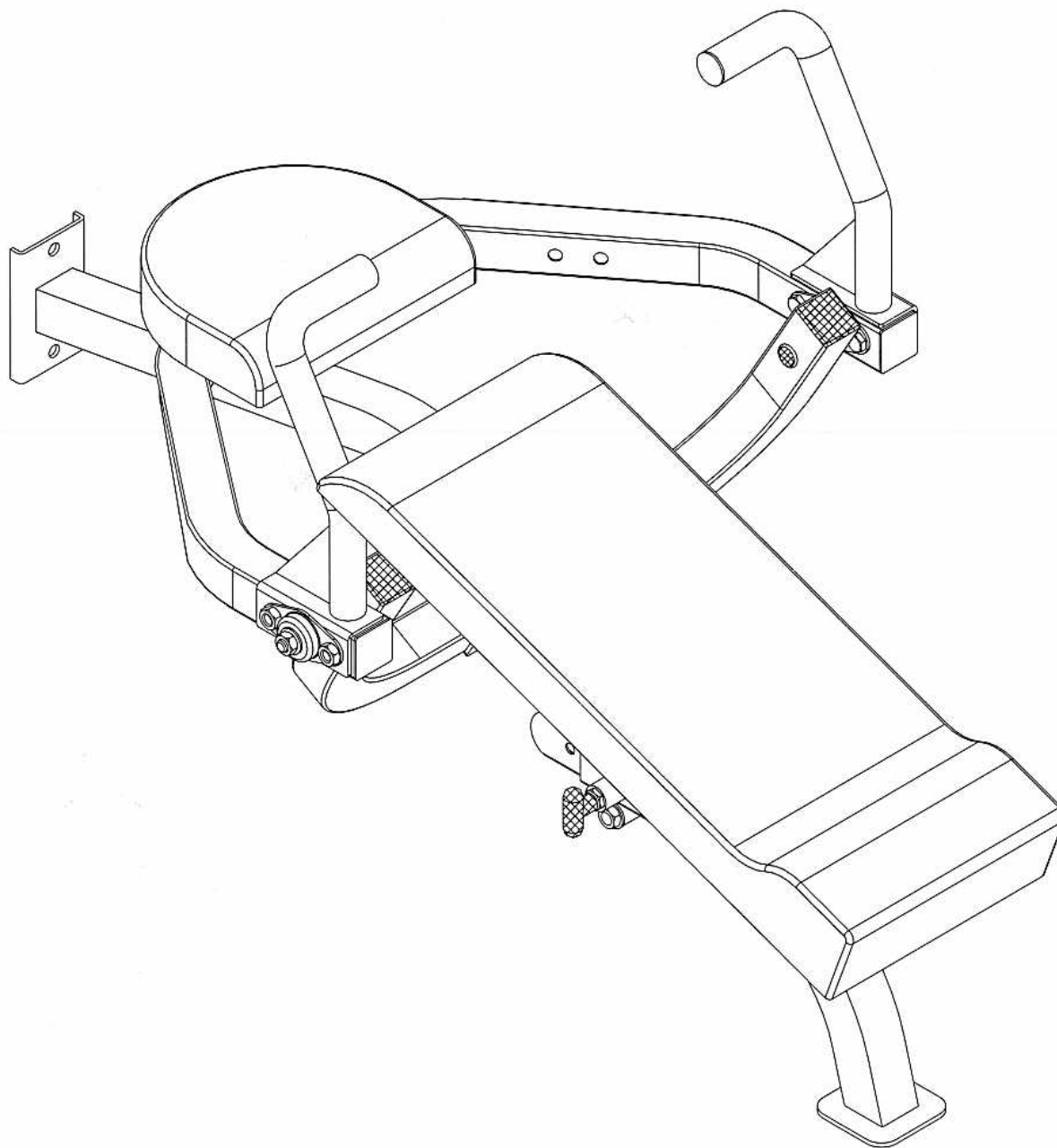


## L-QF-MC

LEVERAGE QUIKFIT SYSTEM

# ASSEMBLY FOUR

POWERTEC

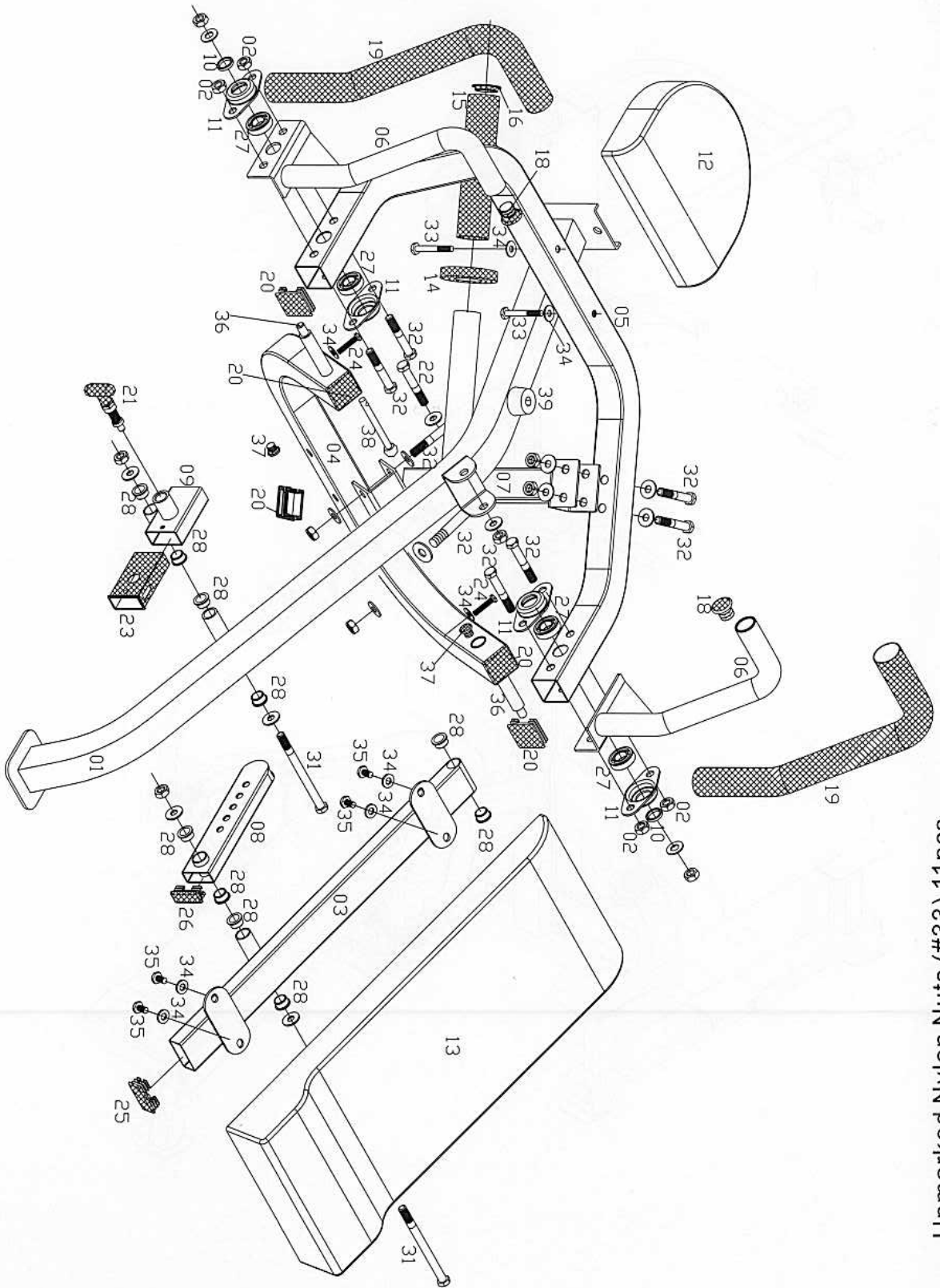


**L-QF-MC**

**LEVERAGE QUIKFIT SYSTEM**



## EXPLODED VIEW



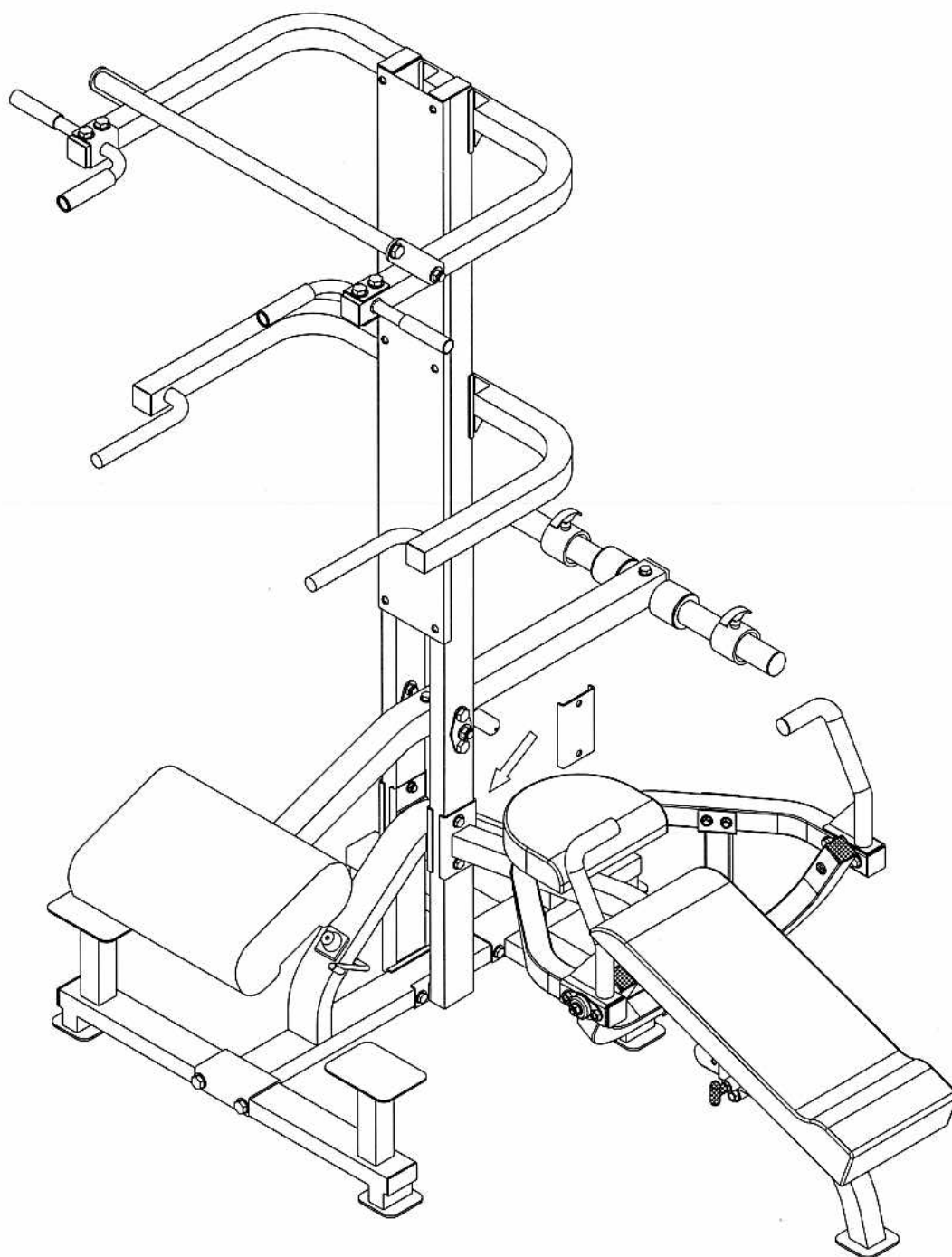
Unmarked Nylon Nuts (#33) 11pcs  
Unmarked Washers (#34) 20pcs

## L-QF-MC

## LEVERAGE QUIKFIT SYSTEM

# ASSEMBLY FIVE

POWERTEC



## L-QF-MC

LEVERAGE QUIKFIT SYSTEM



**POWERTEC** IS NOT LIABLE IF THE TRAINER SHOULD INJURE THEMSELVES WHILE USING **POWERTEC** EQUIPMENT OR WHILE PERFORMING THE TRAINING ROUTINE

# **POWERTEC**

LEVERAGE

## **POWERTEC, INC.**

601 W. Harford St. Milord.  
PA 18337

Phone: (570) 296-5005

Fax: (570) 296-5009

[www.powertecfitness.com](http://www.powertecfitness.com)

## **LIFETIME WARRANTY**