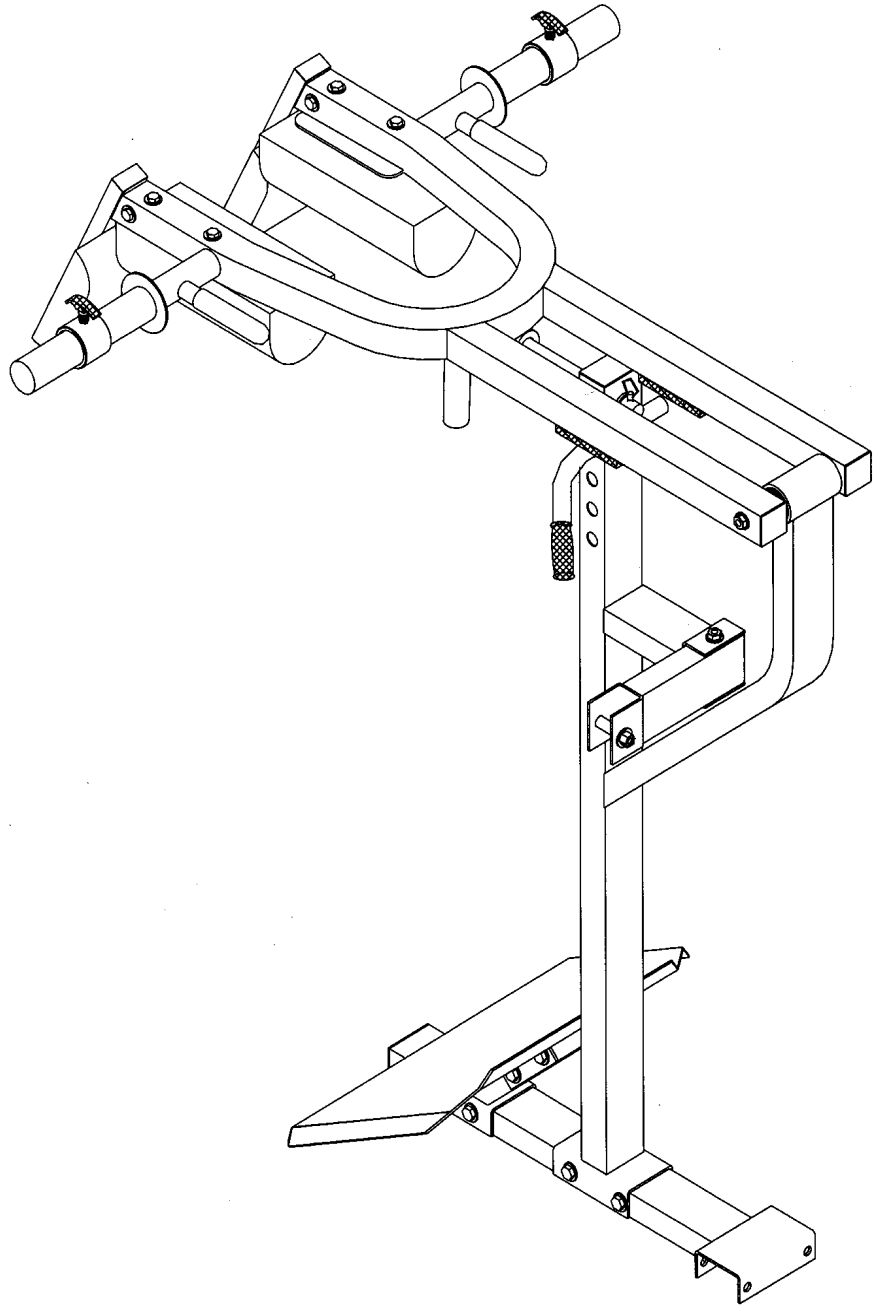


POWERTEC

LEVERAGE

L-QF-SQ

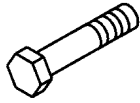


Manual

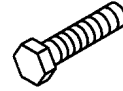
SQUAT ATTACHMENT

LEVERAGE QUIKFIT SYSTEM

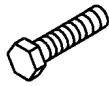
HARDWARE LIST



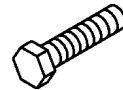
06 1/2"x2"(qty:1)



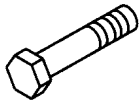
21 3/8"x3/4"(qty:4)



22 3/8"x1-1/2"(qty:6)



23 3/8"x2-1/2"(qty:4)



25 1/2"x4-3/8"(qty:6)



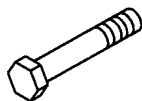
27 1/2"x16t(qty:9)



28 $\varnothing 10 \times \varnothing 25 \times 2.0t$ (qty:14)



29 $\varnothing 14 \times 28 \times 2.0t$ (qty:17)



35 1/2"x2-3/4"(qty:1)

* These hardware have pre-assembled on some parts at the factory

L- QF- SQ

LEVER RAISE OUTLET SYSTEM

PART LIST

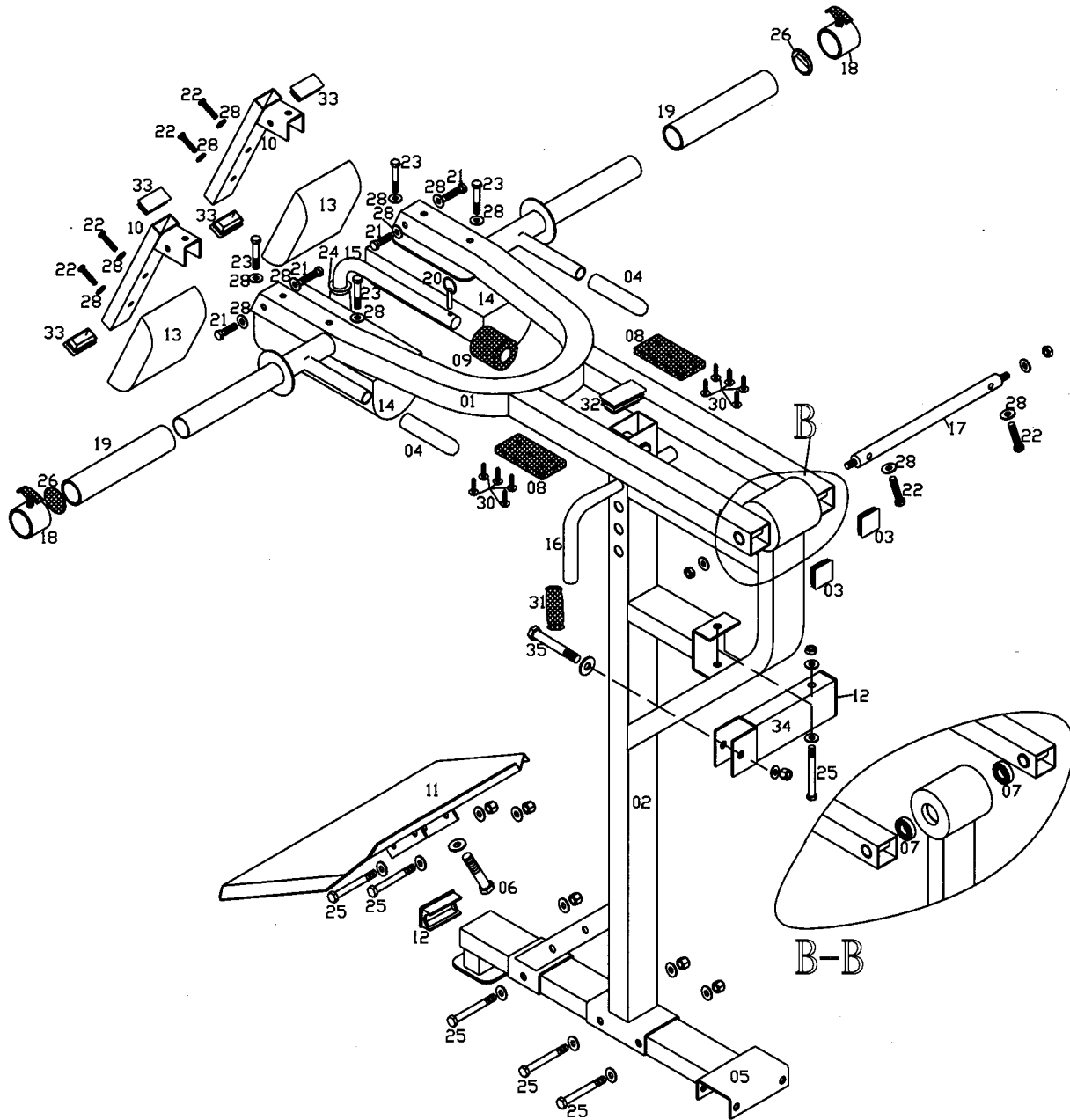
Part	Description	QTY	Part	Description	QTY
1	U-shape lever arm	1	23	Hex bolt	1
2	Upright	1	24	Hand grip	1
3	Square inner plug	1	25	Half thread hex bolt	1
4	PVC sleeve	1	26	Round inner plug	1
5	Base tube	1	27	Nylon nut	1
6	Half thread hex bolt	1	28	Washer	2
7	Bearing	2	29	Washer	4
8	Rubber strip	2	30	Flash head screw	1
9	PVC sleeve	2	31	Hand grip	1
10	Shoulder pad tube	1	32	Square inner plug	3
11	Large foot plate	4	33	Square inner plug1	1
12	Square inner plug	2	34	Cross tube	20
13	Small shoulder pad	8	35	Half thread hex bolt	2
14	Large should pad	1			
15	Start/ stop handle bar	2			
16	Safety catch bar	2			
17	Seel axis	1			
18	Collar	2			
19	PVC sleeve	2			
20	Ring head pin	8			
21	Hex bolt	1			
22	Hex bolt	3			

L- QF- SQ

LEVERAGE QUIKFIT SYSTEM

EXPLODED VIEW

POWERTEC



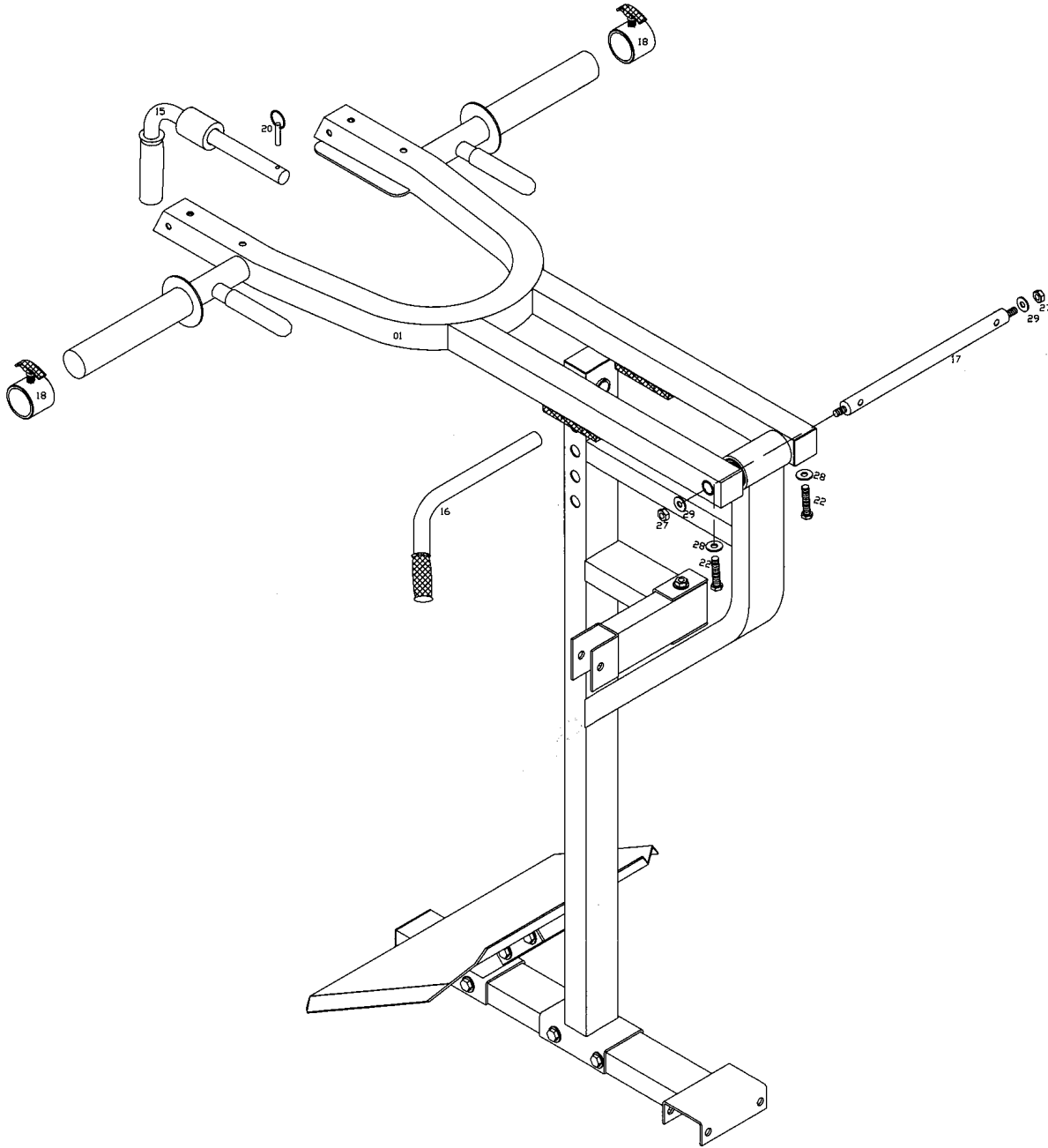
Unmarked Nylon Nuts (#33) 11pcs
Unmarked Washers (#34) 20pcs

L-QF-SQ

LEVERAGE QUIKFIT SYSTEM

ASSEMBLY TWO

POWERFIT



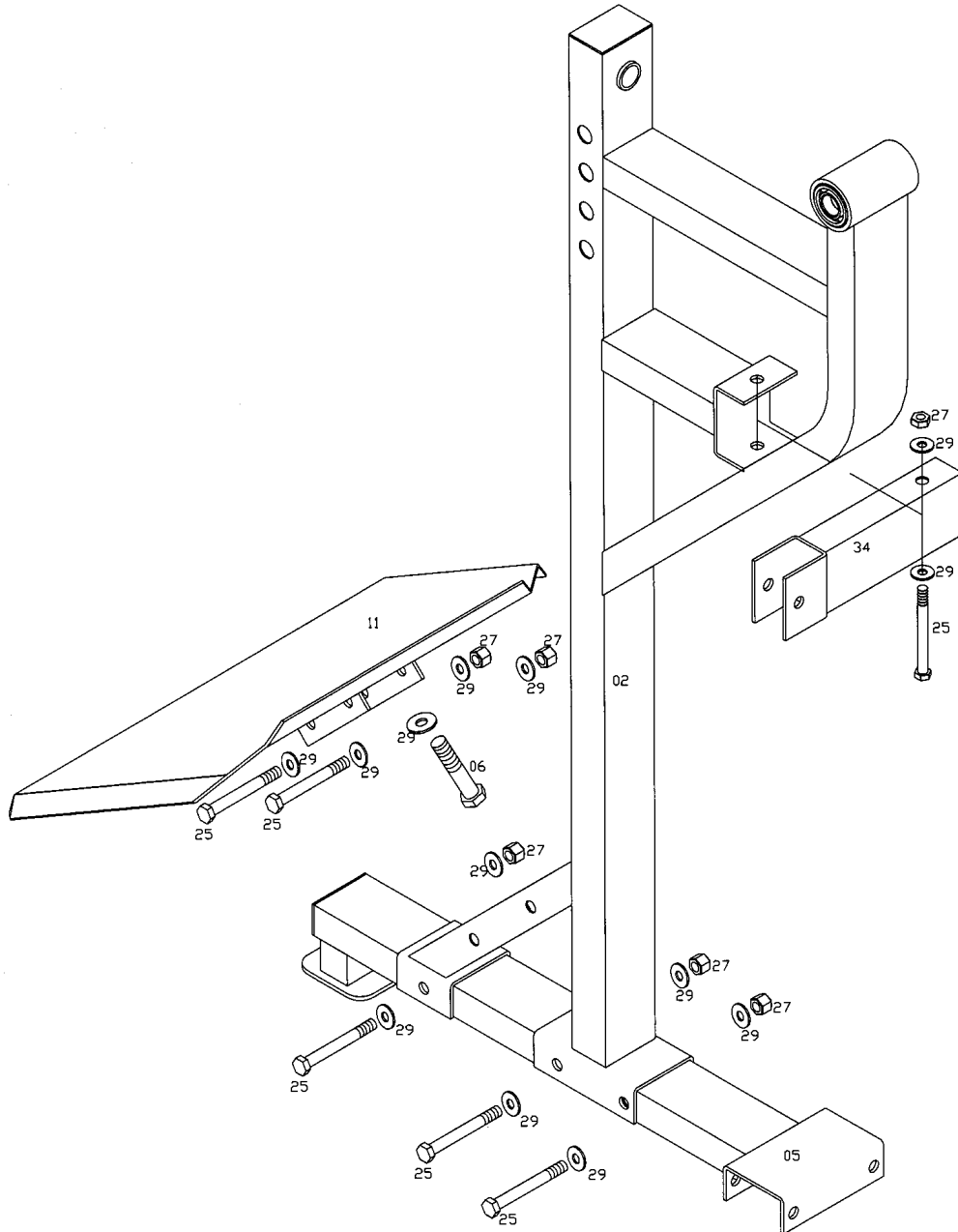
L-QF-SQ

LEVERAGE QUIKFIT SYSTEM

ASSEMBLY ONE

NOTE: Always insert all bolts through holes prior to tightening due to precision fit

POWERTEC

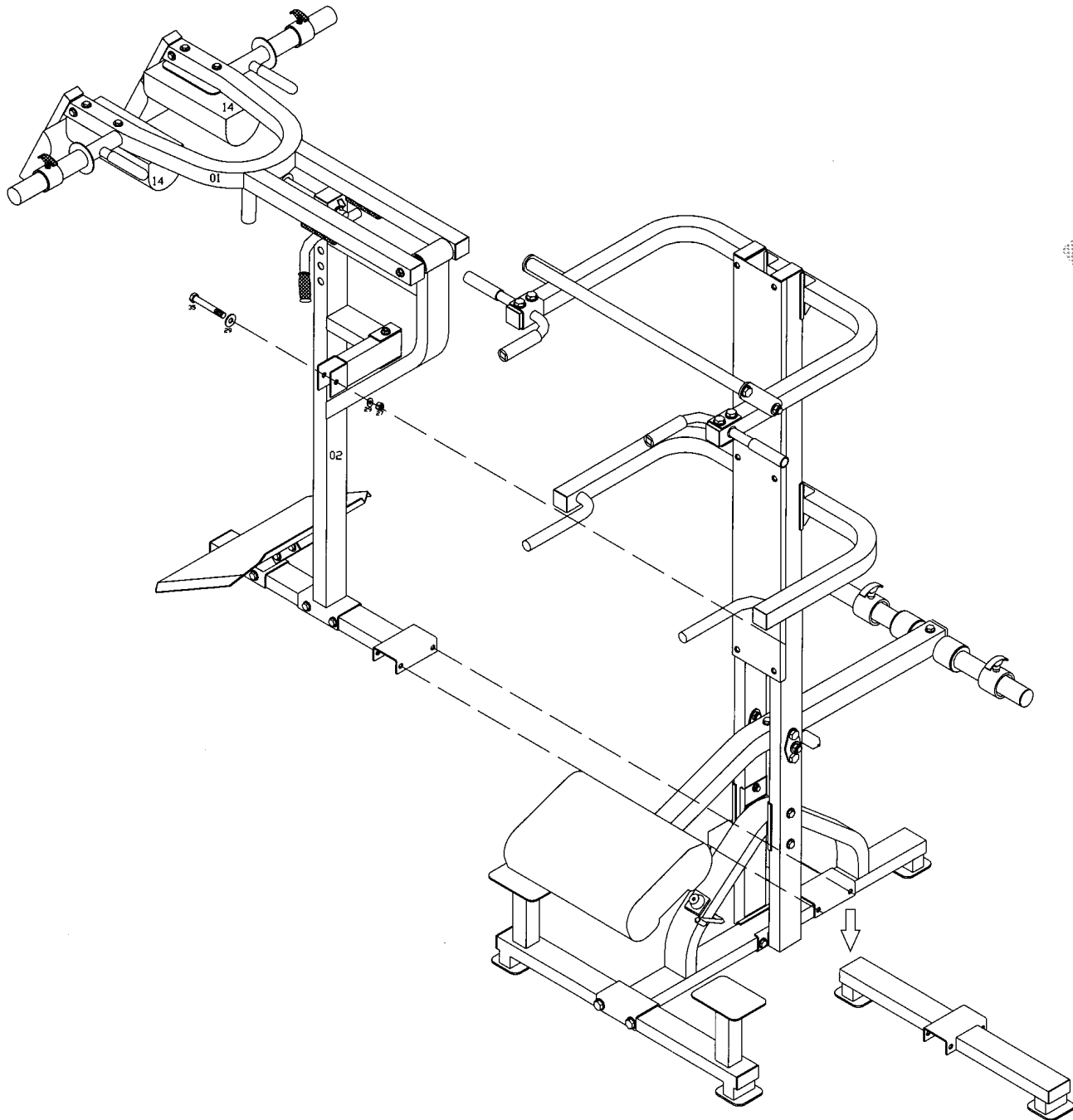


L-QF-SQ

LEVERAGE QUIKFIT SYSTEM

ASSEMBLY THREE

POWERTEC

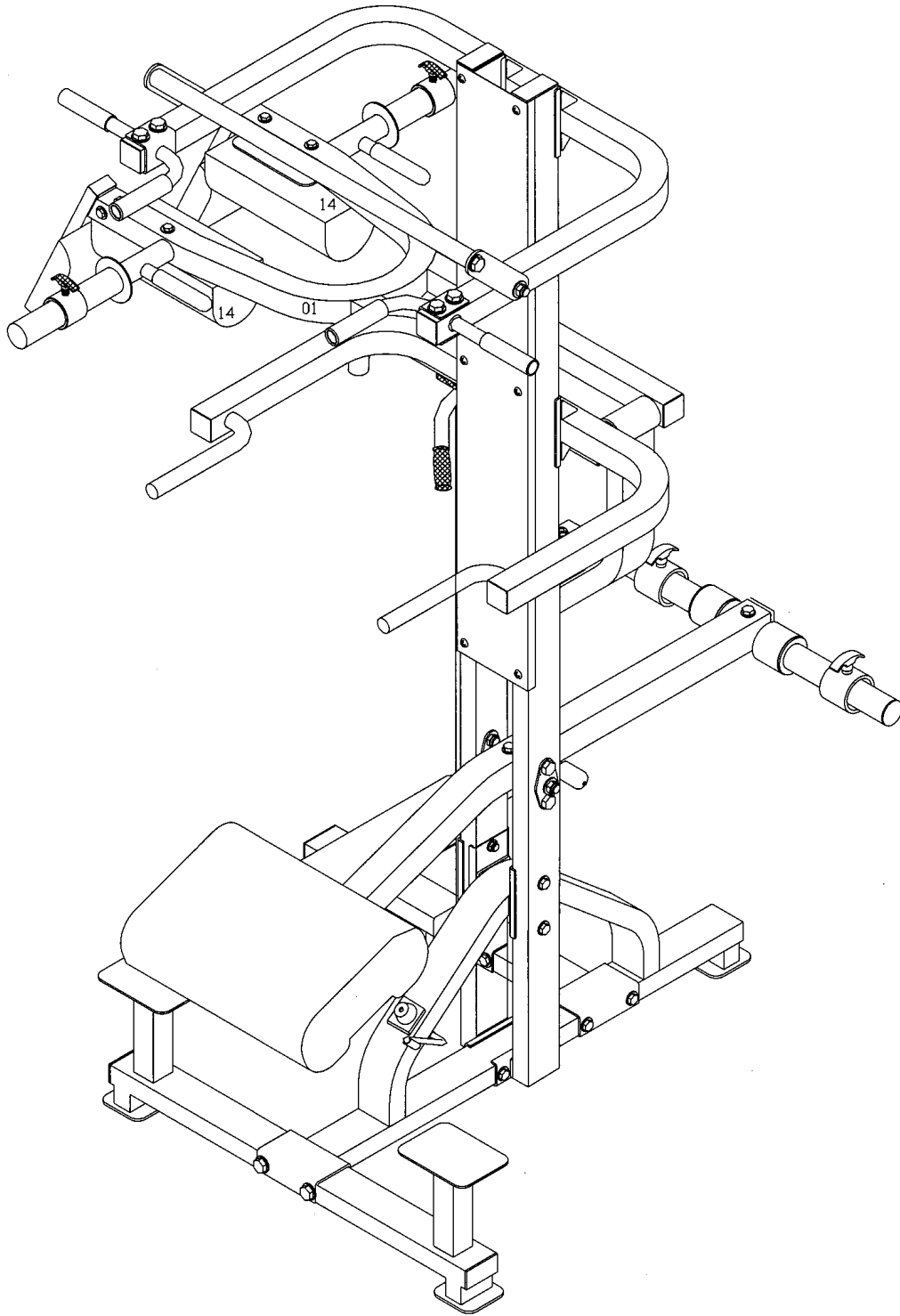


L-QF-SQ

LEVERAGE QUIKFIT SYSTEM

ASSEMBLY FOUR

POWERTEC



L-QF-SQ

LEVERAGE QUIKEFIT SYSTEM

POWERTEC IS NOT LIABLE IF THE TRAINER SHOULD INJURE THEMSELVES WHILE USING **POWERTEC** EQUIPMENT OR WHILE PERFORMING THE TRAINING ROUTINE

POWERTEC



POWERTEC, INC.

601 W. Harford St. Milord.
PA 18337

Phone: (570) 296-5005

Fax: (570) 296-5009

www.powertecfitness.com

LIFETIME WARRANTY