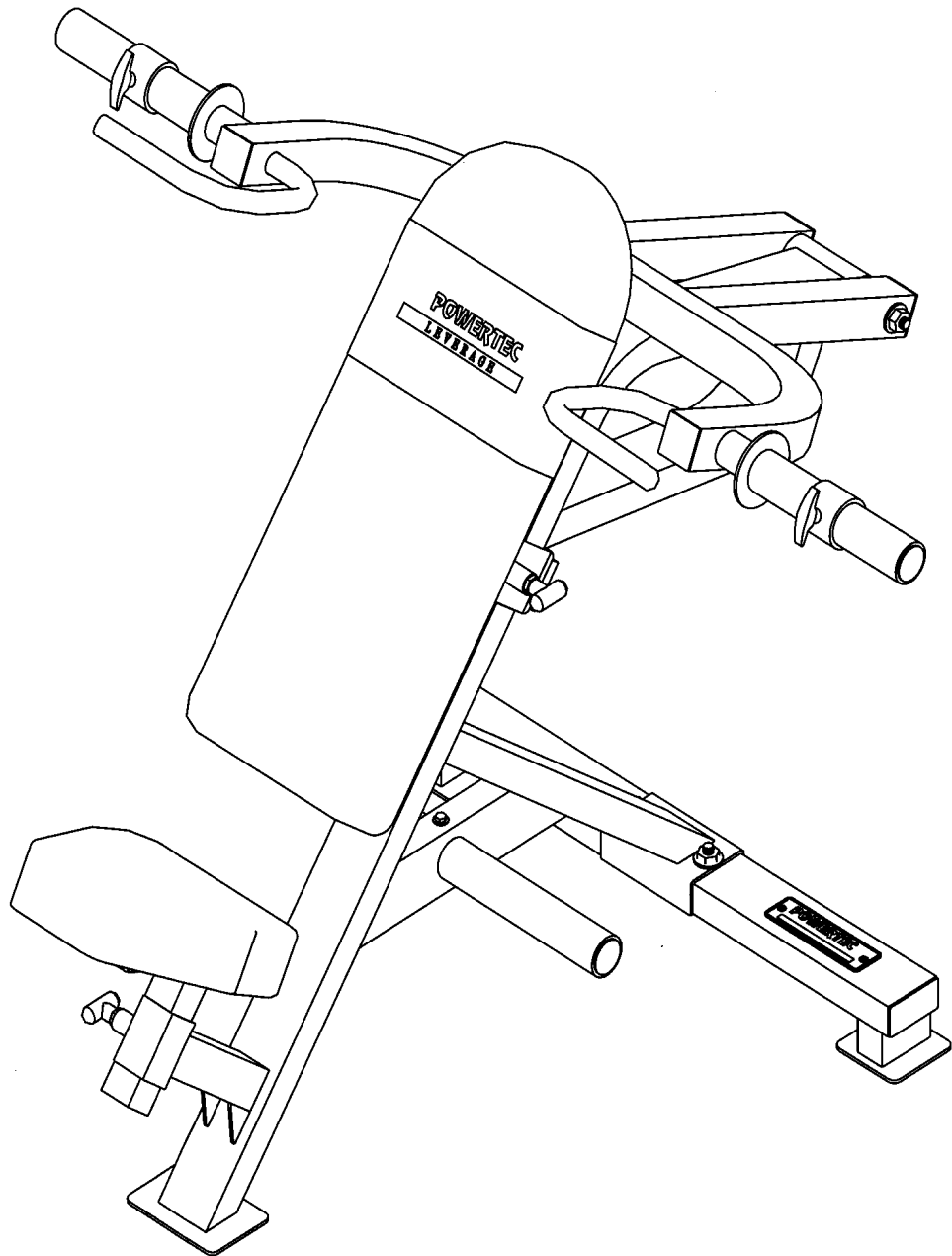


POWERTEC

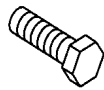
L-SP-S



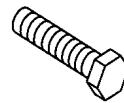
Manual

LEVERAGE SHOULDER PRESS

HARDWARE LIST



08 3/8"x3/4"(qty:8)



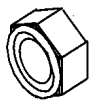
09 3/8"x1-1/2"(qty:3)



11 $\varnothing 10 \times \varnothing 25 \times 2.0t$ (qty:11)



12 $\varnothing 14 \times \varnothing 28 \times 2t$ (qty:4)



13 1/2"x1 1/2"t (qty:4)

L-SP-S

LEVERAGE SHOULDER PRESS

PART LIST

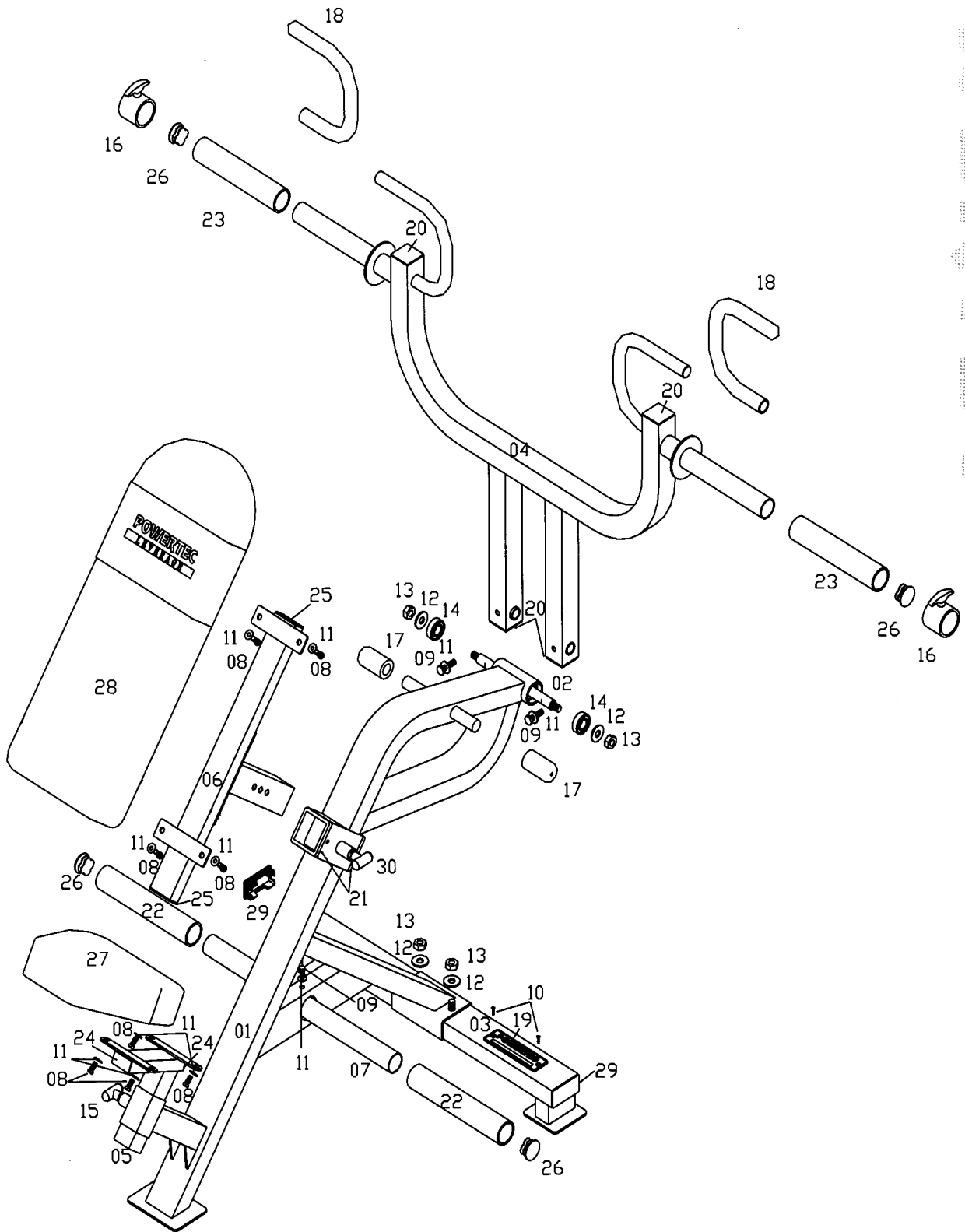
Part	Description	QTY
1	Mainframe Tube	1
2	Steel Axis	1
3	Rear Base Tube	1
4	"U" Lever Arm	1
5	Seat Adjustment Tube	1
6	Backrest Support Tube	1
7	Cross Support Tube	1
8	Hex Bolt	8
9	Hex Bolt	3
10	Rivet	2
11	Washer	11
12	Washer	4
13	Nylon Nut	4
14	Bearing	2
15	Spring Lock Pin	1
16	Collar Clip	2
17	Rubber Bumper	2
18	Hand Grip	2
19	Name Plate	1
20	Square Inner Plug	4
21	Open End Cap	2
22	PVC Sleeve	2
23	PVC Sleeve	2
24	Square Inner Plug	2
25	Square Inner Plug	2
26	Round Inner Plug	4
27	Seat Pad	1
28	Backrest Pad	1
29	Square Inner Plug	2
30	Spring Lock Pin	1

L-SP-S

LEVERAGE SHOULDER PRESS

EXPLODED DIAGRAM

POWERTEC

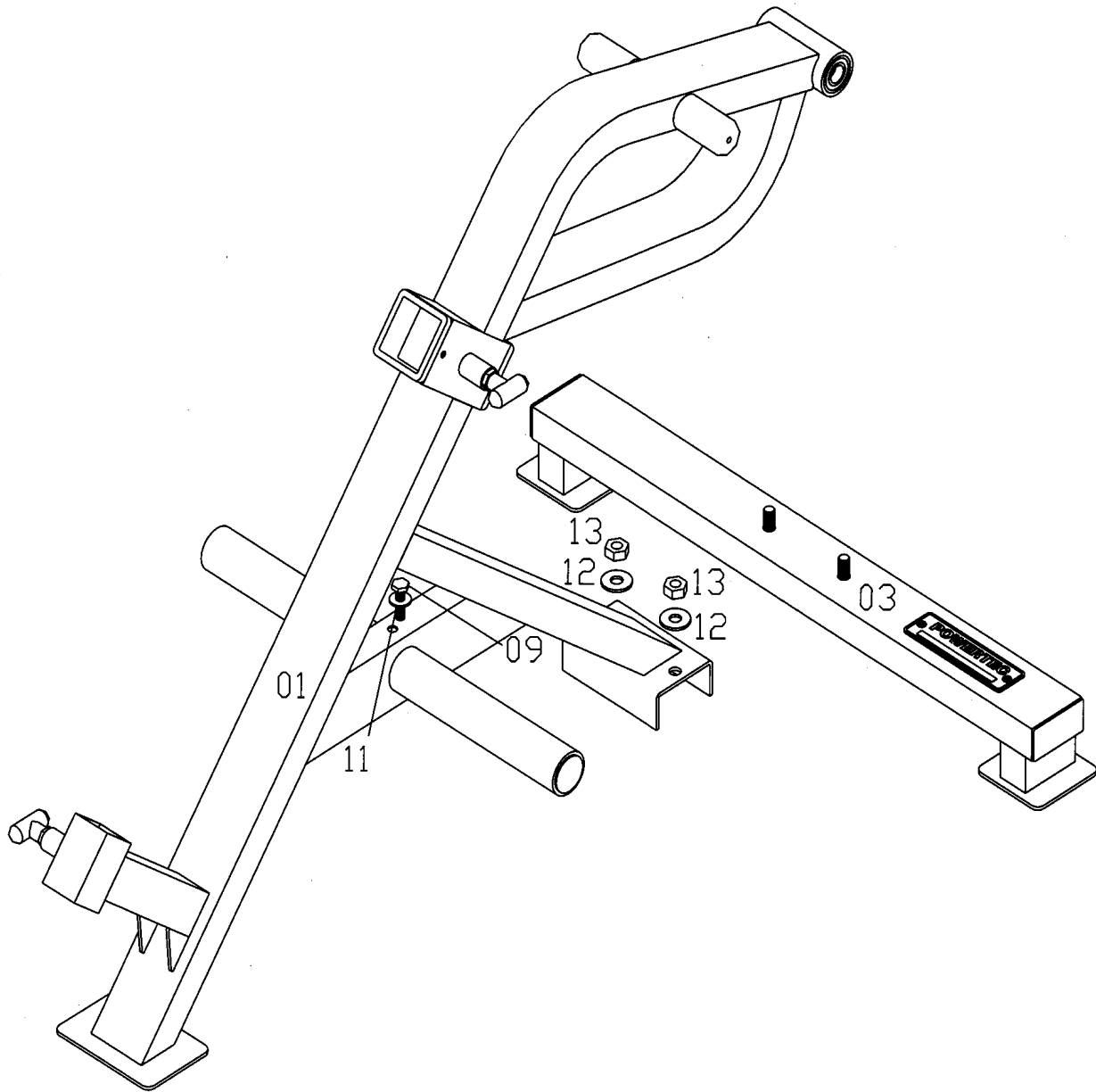


L-SP-S

LEVERAGE SHOULDER PRESS

ASSEMBLY ONE

NOTE: Before securely assembling always insert all bolts through all holes prior to tightening due to precision fit

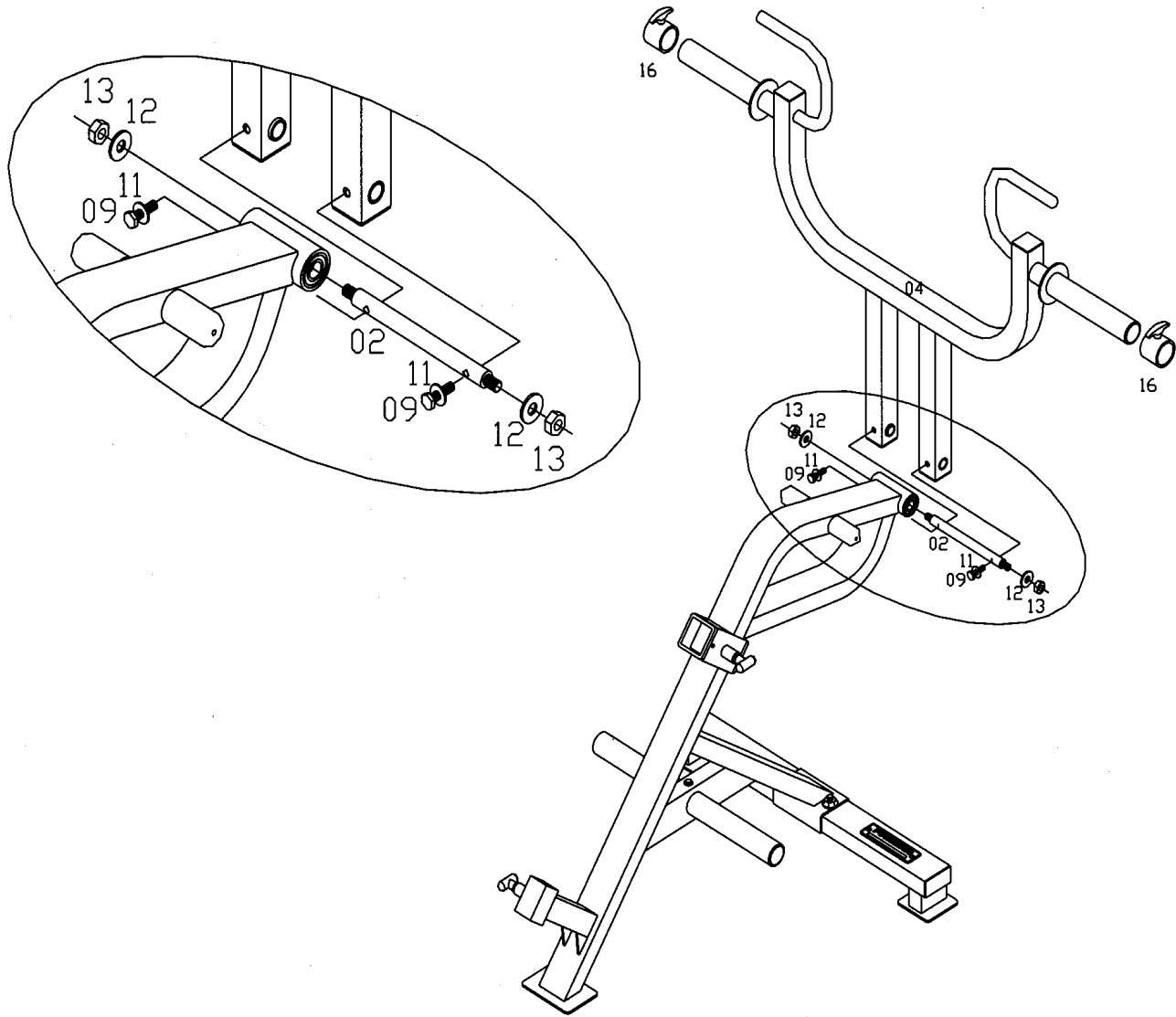


L-SP-S

LEVERAGE SHOULDER PRESS

ASSEMBLY TWO

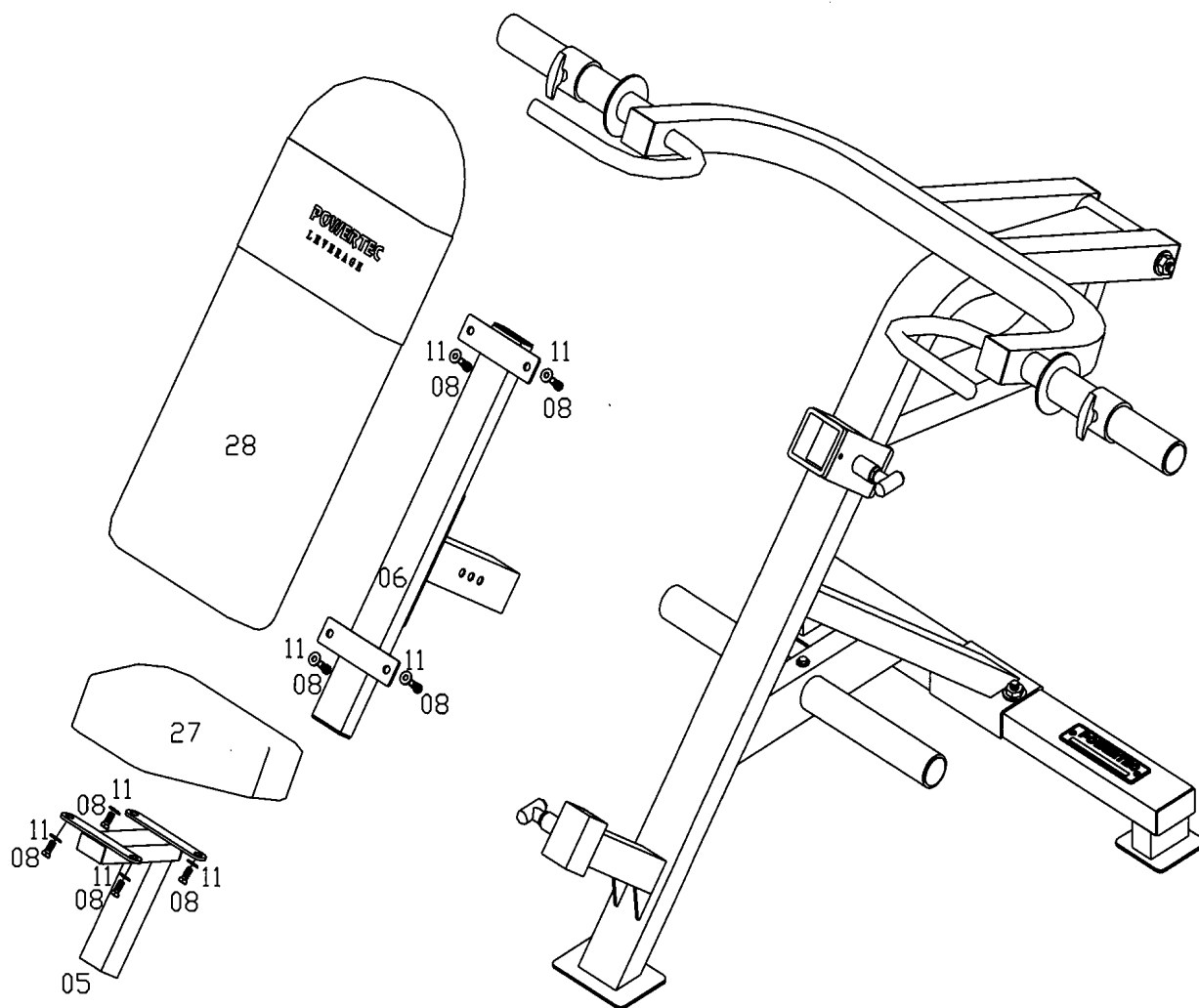
© 1997
PULVER
L-SP-S



L-SP-S

LEVERAGE SHOULDER PRESS

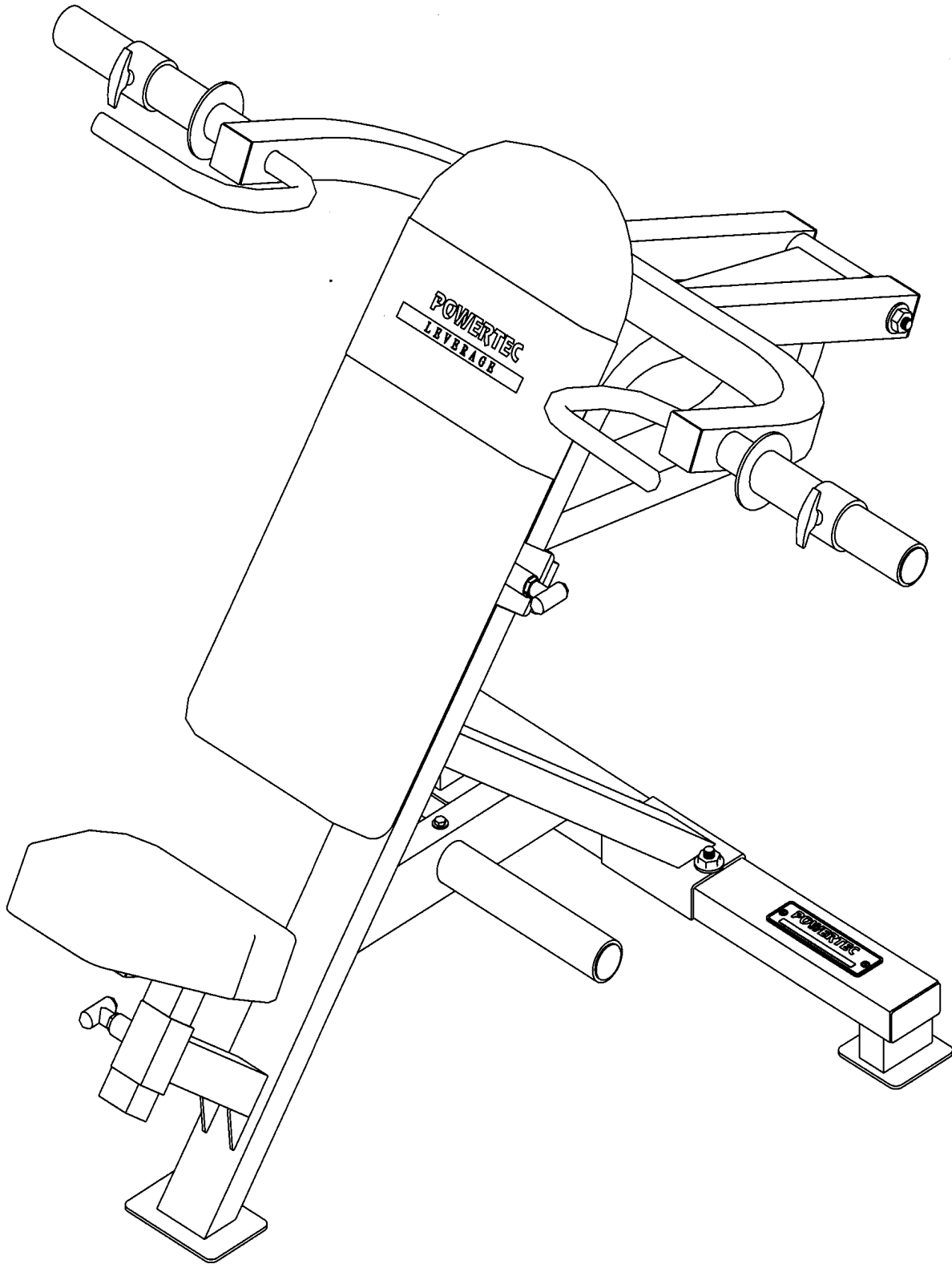
ASSEMBLY THREE



L-SP-S

LEVERAGE SHOULDER PRESS

ASSEMBLY FOUR



L-SP-S

LEVERAGE SHOULDER PRESS

POWERTEC IS NOT LIABLE IF THE TRAINER SHOULD INJURE THEMSELVES WHILE USING **POWERTEC** EQUIPMENT OR WHILE PERFORMING THE TRAINING ROUTINE

POWERTEC

POWERTEC, INC.

601 W. Harford St. Milford, PA 18337

Phone: (570) 296-5005

Fax: (570) 296-5009

www.powertecfitness.com

**LIFETIME
WARRANTY**