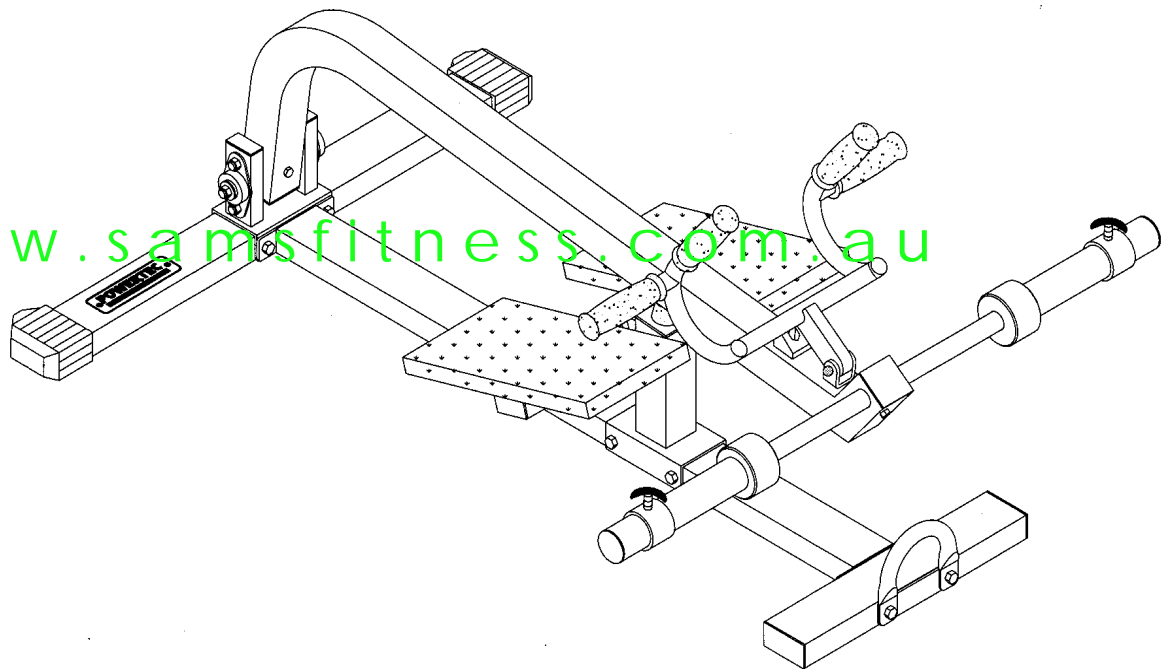


# POWERTEC

## LEVERAGE

### L-TB

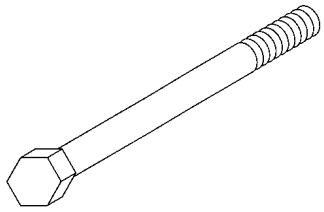
Manual



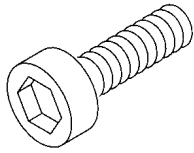
### T - BAR ROW

# HARDWARE LIST

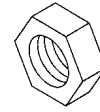
POWER  
RTE  
C



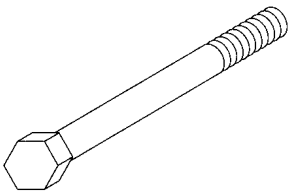
22 1/2"X4-1/2"(Qty: 6)



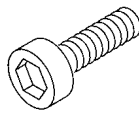
26 1/2"X1-1/4"(Qty: 2)



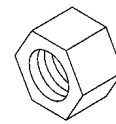
29 1/2"x8t(Qty: 4)(\*4)



23 1/2"X3-1/2"(Qty: 2)

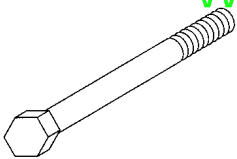


27 3/8"X1"(Qty:1)(\*1)

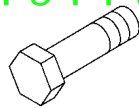


30 1/2"x16t(Qty: 10)

[www.samsfitness.com.au](http://www.samsfitness.com.au)



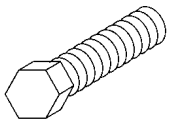
24 1/2"X2-3/4"(Qty: 1)



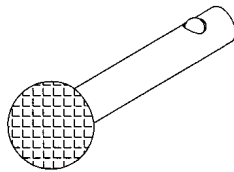
28 1/2"X1-1/2"(Qty: 4)(\*4)



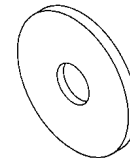
31  $\emptyset 14 \times \emptyset 28 \times 2.0t$ (Qty: 19)



25 3/8"X2"(Qty: 2)



39  $\emptyset 8 \times 40$ (Qty: 1)



32  $\emptyset 10 \times \emptyset 35 \times 3t$ (Qty: 2)

\* These hardware have pre-assembled on some parts at the factory.

L-TB

T-BAR ROW

# PART LIST

POWERTEC

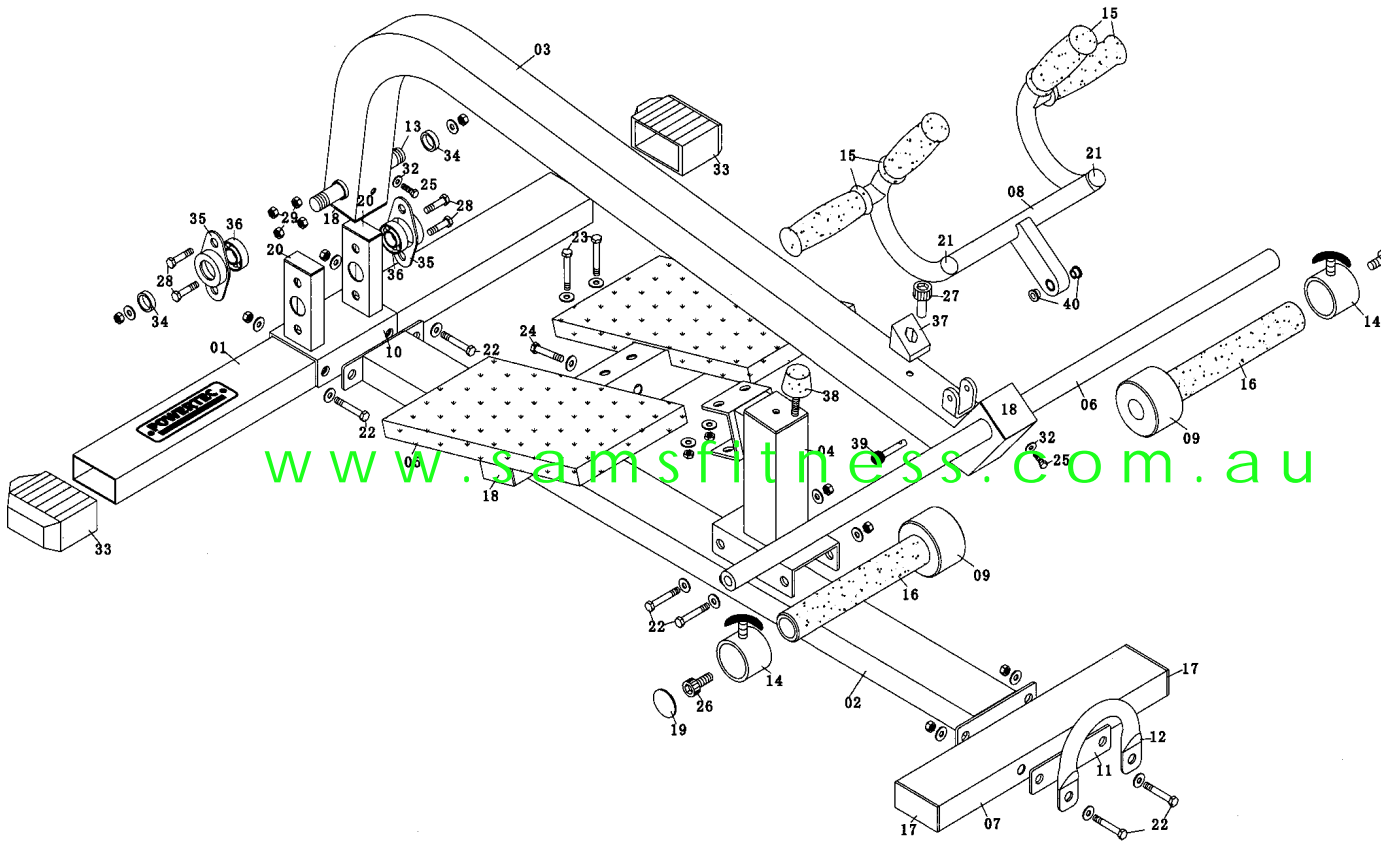
Part	Description	QTY	Part	Description	QTY
1	Rear base	1	21	Round inner plug	2
2	Center base	1	22	Half-thread hex bolt	6
3	Leverage main tube	1	23	Half-thread hex bolt	2
4	Foot support tube	1	24	Half-thread hex bolt	1
5	Footplate	1	25	Hex bolt	2
6	Weight holder tube	1	26	Pocket hex bolt	2
7	Front base	1	27	Pocket hex bolt	1
8	Pull handle	1	28	Half-thread hex bolt	4
9	Olympic adaptor	2	29	Nylon nut	4
10	Pivot bracket	2	30	Nylon nut	10
11	Reinforcement plate	1	31	Washer	19
12	Carriage handle	1	32	Washer	2
13	Axis Steel	1	33	Transport outer plug	2
14	Collar	2	34	Washer	2
15	Hand grip	4	35	Bearing shell	2
16	PVC sleeve	2	36	Bushing	2
17	Square inner plug	2	37	Triangle plastic	1
18	Square inner plug	4	38	Bumper	1
19	Round inner plug	2	39	Ball head lock pin	1
20	Square inner plug	2	40	Bushing	2

L-TB

T-BAR ROW

# EXPLODED DIAGRAM

POWERTEC



Remarks: All unmarked Washers are (31) and all unmarked Nylon Nuts are (30).

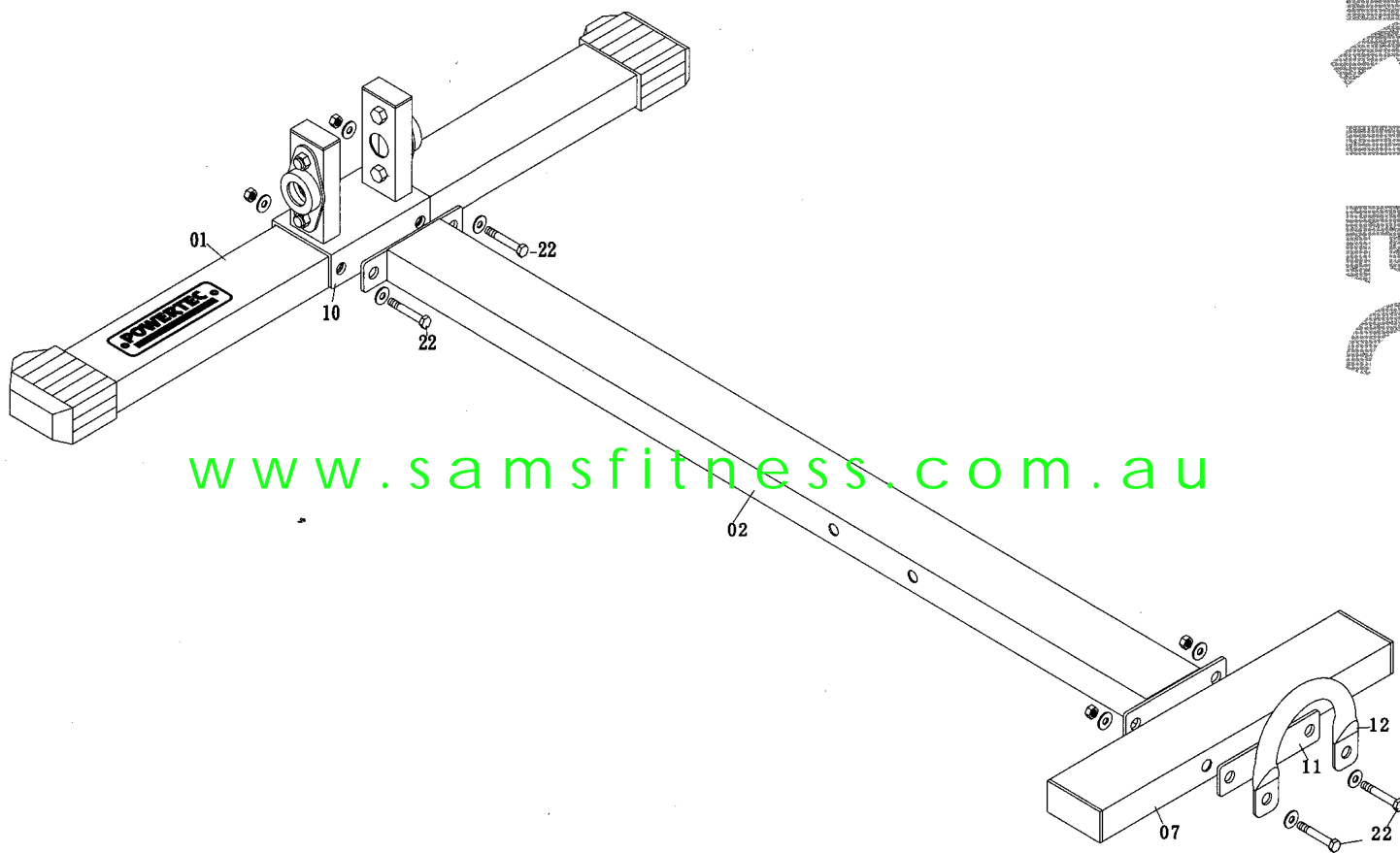
L-TB

T-BAR ROW



# ASSEMBLY ONE

POWERTEC



[www.samsfitness.com.au](http://www.samsfitness.com.au)

"Please note: The numbers you may find on parts may not correlate to the assembly manual, these numbers are only to help ensure accurate packing. Warranty parts may differ slightly in appearance from originals, but the function will remain the same."

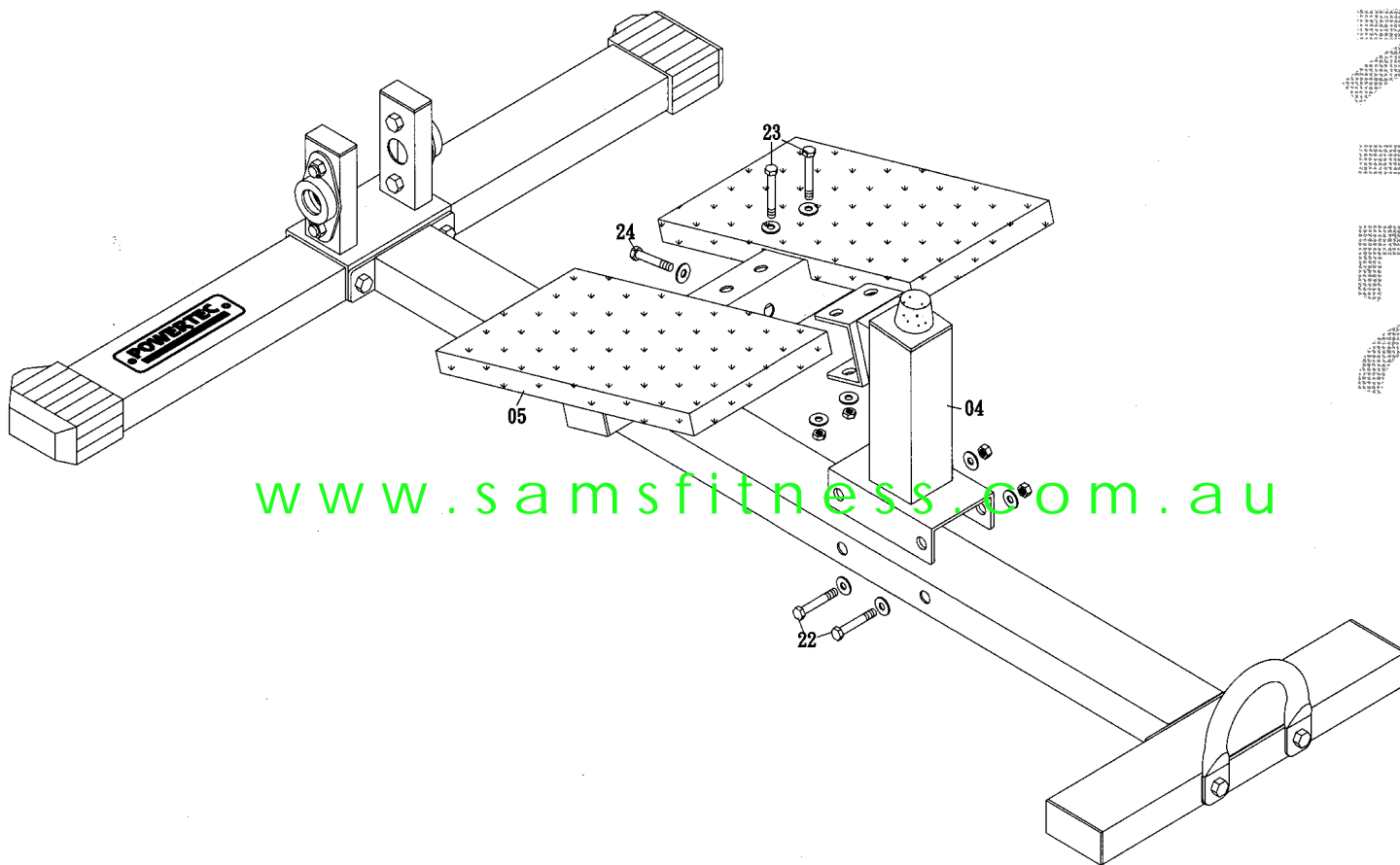
Remarks: All unmarked Washers are (31) and all unmarked Nylon Nuts are (30).

L-TB

T-BARROW

# ASSEMBLY TWO

POWERTEC



[www.samsfitness.com.au](http://www.samsfitness.com.au)

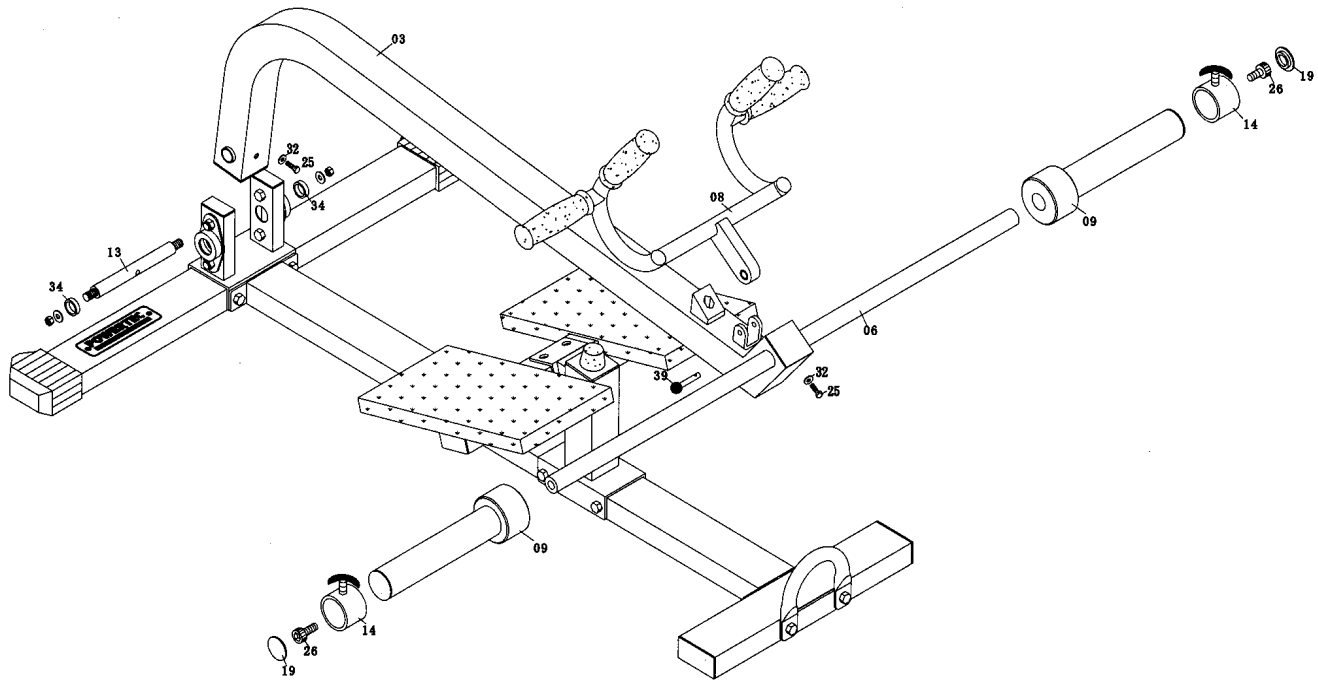
Remarks: All unmarked Washers are (31) and all unmarked Nylon Nuts are (30).

L-TB

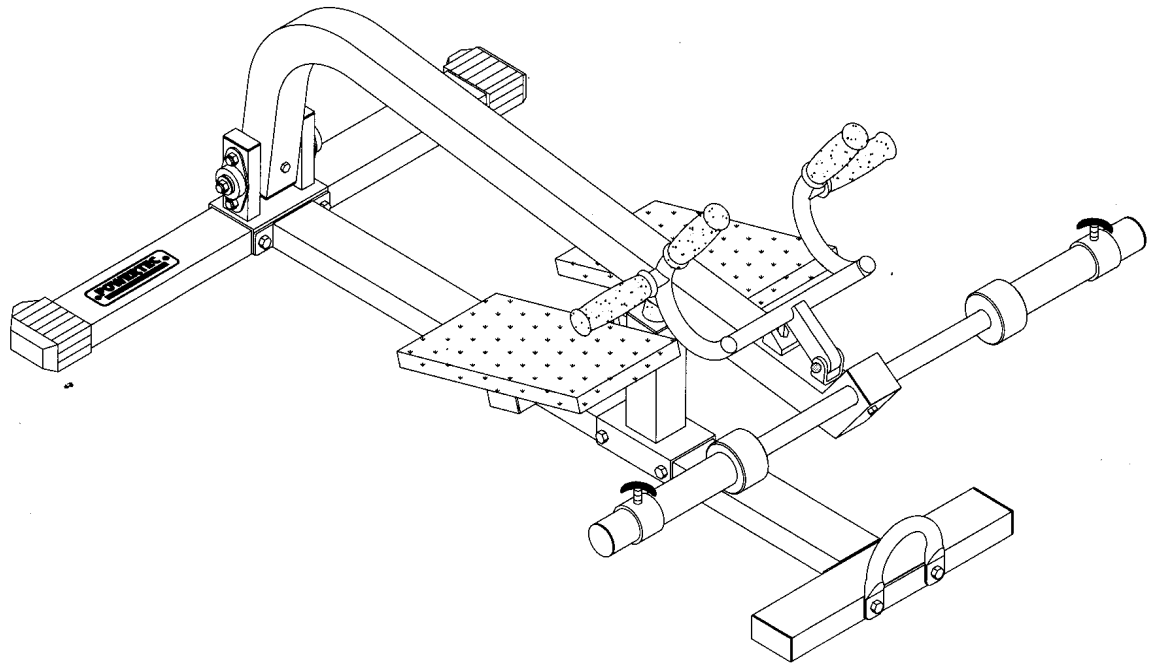
T-BARROW

# ASSEMBLY THREE

Remarks: All unmarked Washers are (31) and all unmarked Nylon Nuts are (30).



[www.samsfitness.com.au](http://www.samsfitness.com.au)



Tighten All Bolts Before Using This Equipment !

L-TB

T-BARROW

POWERTEC

**POWERTEC** IS NOT LIABLE IF THE TRAINER SHOULD INJURE THEMSELVES WHILE USING **POWERTEC** EQUIPMENT OR WHILE PERFORMING THE TRAINING ROUTING

# **POWERTEC**

## **POWERTEC, INC.**

601 W. Harford St. Milford, PA 18337

[www.samsfitness.com.au](http://www.samsfitness.com.au)

Phone: (570) 296-5005

Fax: (570) 296-5009

[www.powertecfitness.com](http://www.powertecfitness.com)

# **LIFETIME WARRANTY**