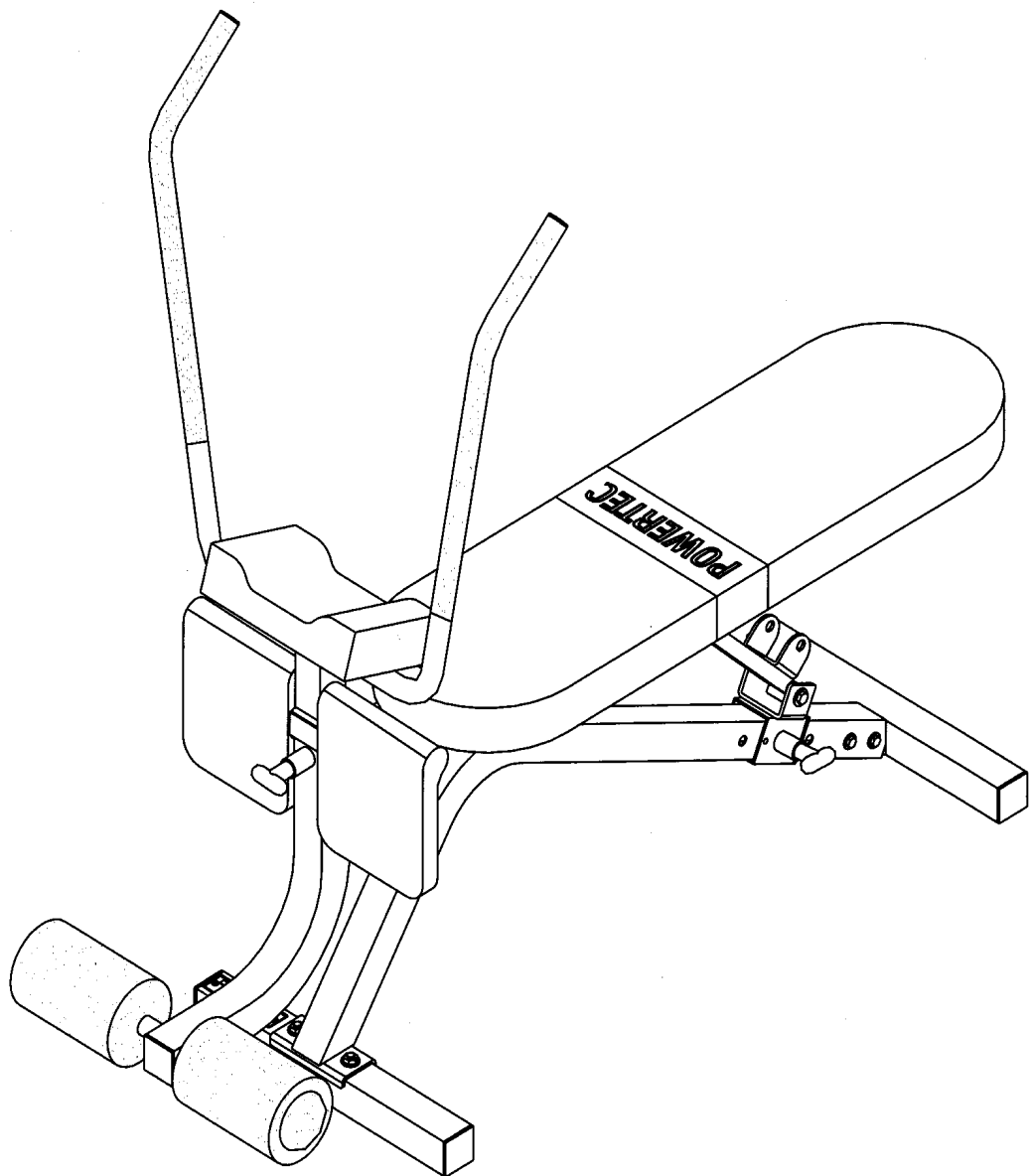


POWERTEC

CLASSICS

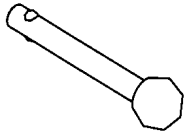
WB-AB-S



DUAL AB BENCH

HARDWARE LIST

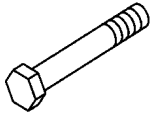
POWERTEC



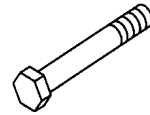
14 $\varnothing 12.7 \times 70$ (qty:1)



15 $3/8" \times 3/4"$ (qty:14)



16 $1/2" \times 3-1/4"$ (qty:1)



17 $1/2" \times 4"$ (qty:2)



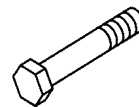
18 $\varnothing 10 \times 25 \times 2.0t$ (qty:14)



19 $\varnothing 14 \times 28 \times 2.0t$ (qty:10)



20 $1/2" \times 16t$ (qty:6)



27 $1/2" \times 2-3/4"$ (qty:1)

WB-AB-S

DUAL AB BENCH

PART LIST

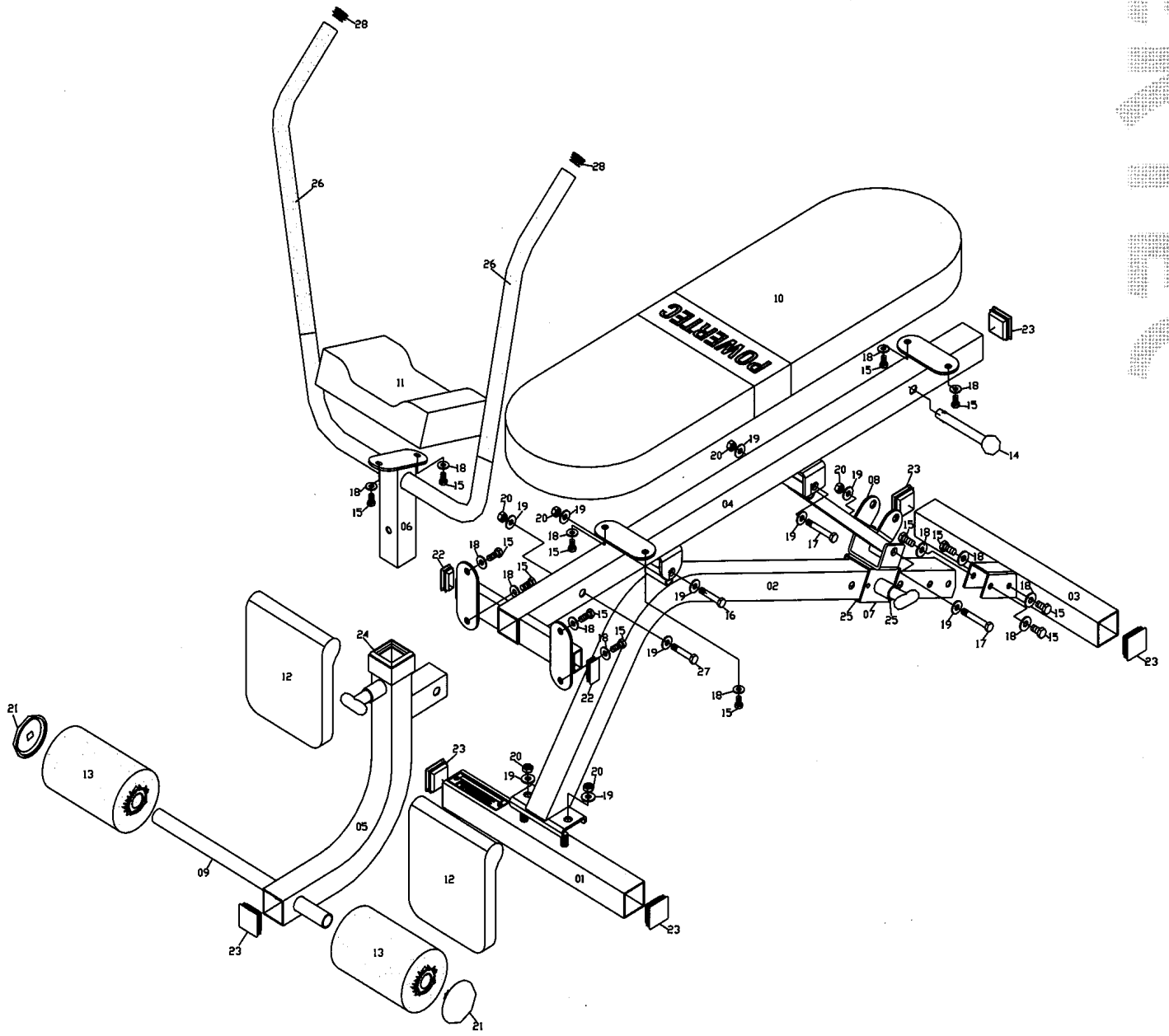
Part	Description	QTY
1	Front base tube	1
2	Mainframe	1
3	Rear base tube	1
4	Pad support tube	1
5	Leg hold curve tube	1
6	Handle bar	1
7	Slide bracket	1
8	Backrest adj tube	1
9	Foam roller tube	1
10	Backrest pad	1
11	Headrest pad	1
12	Calf pad	2
13	Foam roller	2
14	Ball head lock pin	1
15	Hex bolt	14
16	Half thread hex bolt	1
17	Half thread hex bolt	2
18	Washer	14
19	Washer	10
20	Nylon nut	6
21	Round inner plug	2
22	Rec. inner plug	2
23	Sq.inner plug	6
24	Sq.open end cap	1
25	Sq.open end cap	2
26	Rubber sleeve	2
27	Half thread hex bolt	1
28	Round inner plug	2

WB-AB-S

DUAL AB BENCH

EXPLODED DIAGRAM

POWERTEC



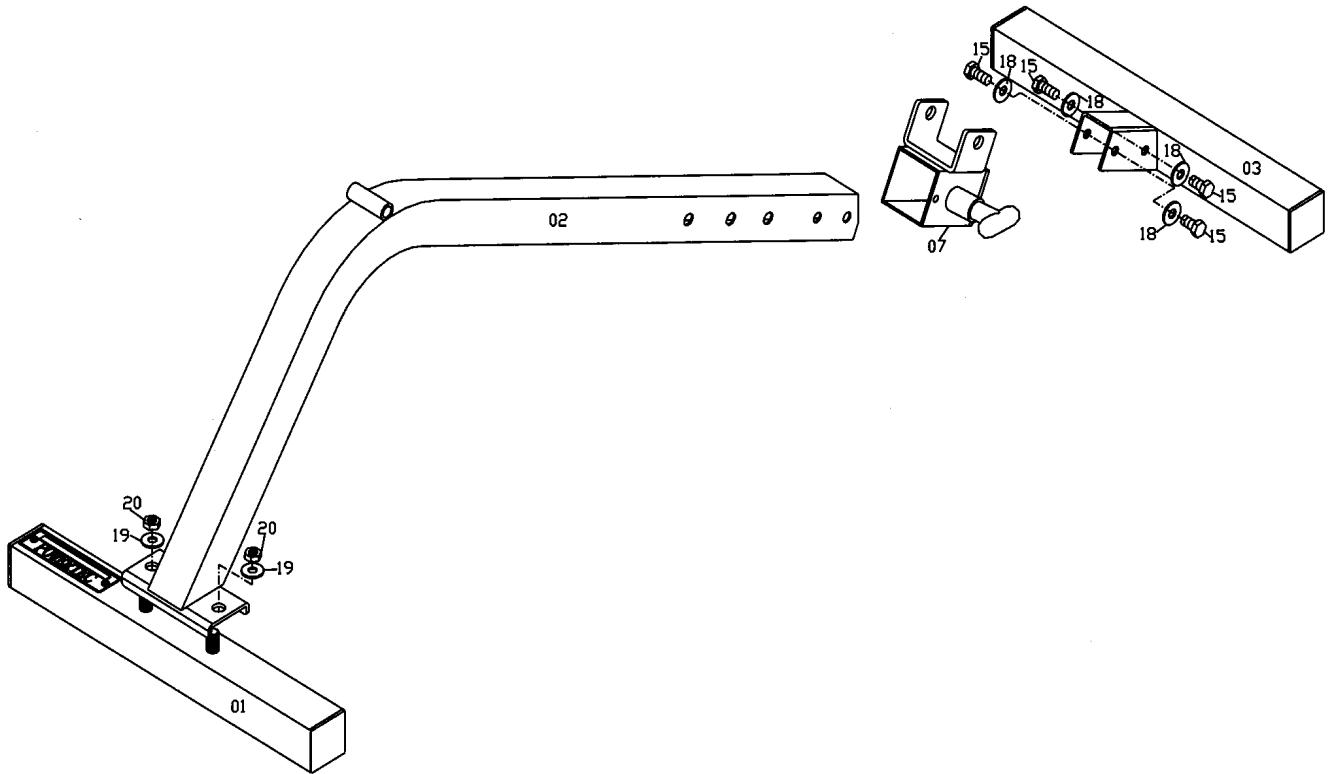
WB-AB-S

DUAL AB BENCH

ASSEMBLY ONE

NOTE: When assembling always insert all bolts through all holes prior to tightening due to precision fit

1
2
3
4
5
6
7
8
9
10
11
12
13
14
15
16
17
18
19
20

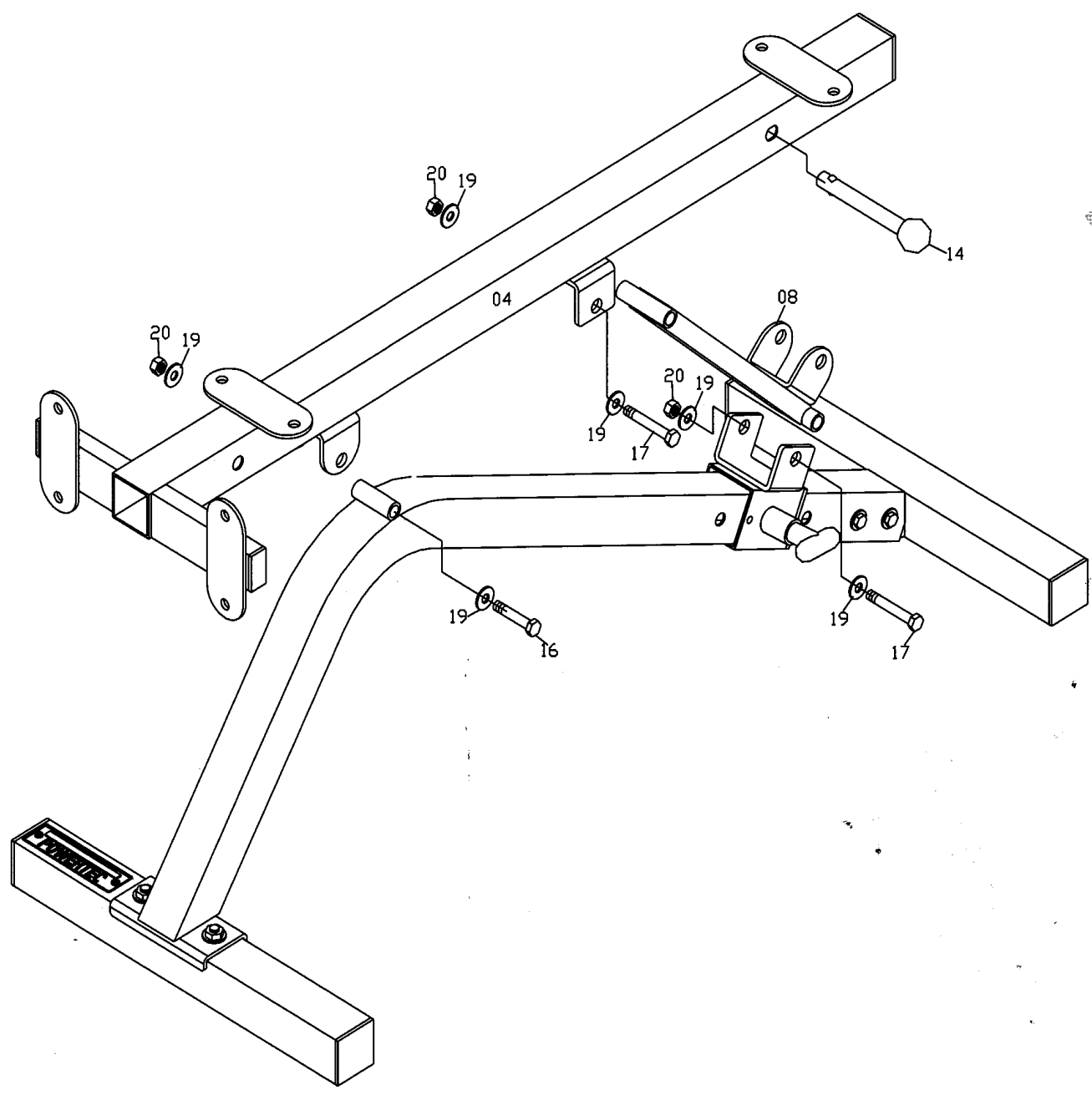


WB-AB-S

DUAL AB BENCH

ASSEMBLY TWO

POWERTEC

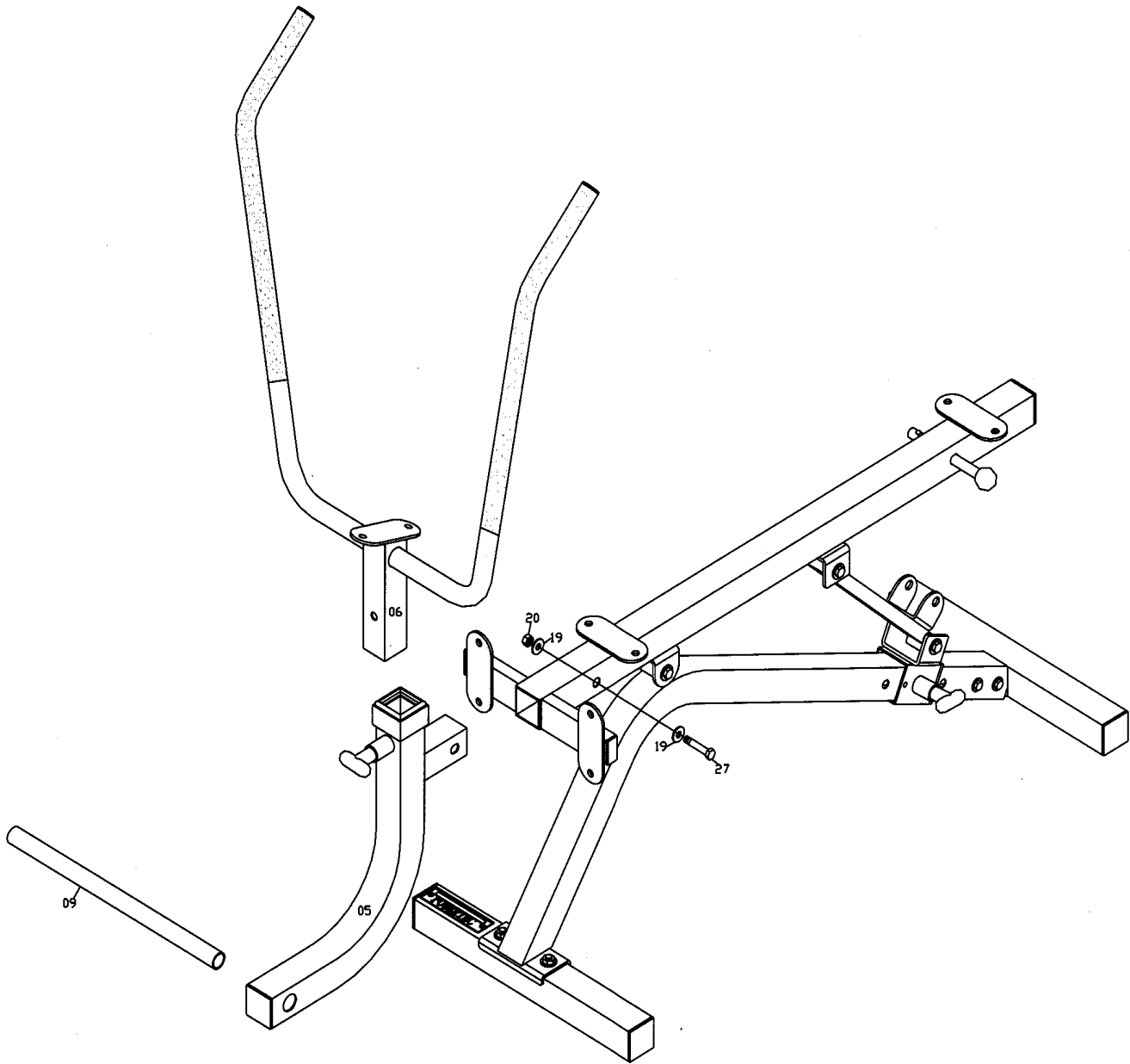


WB-AB-S

DUAL AB BENCH

ASSEMBLY THREE

POWERTEC

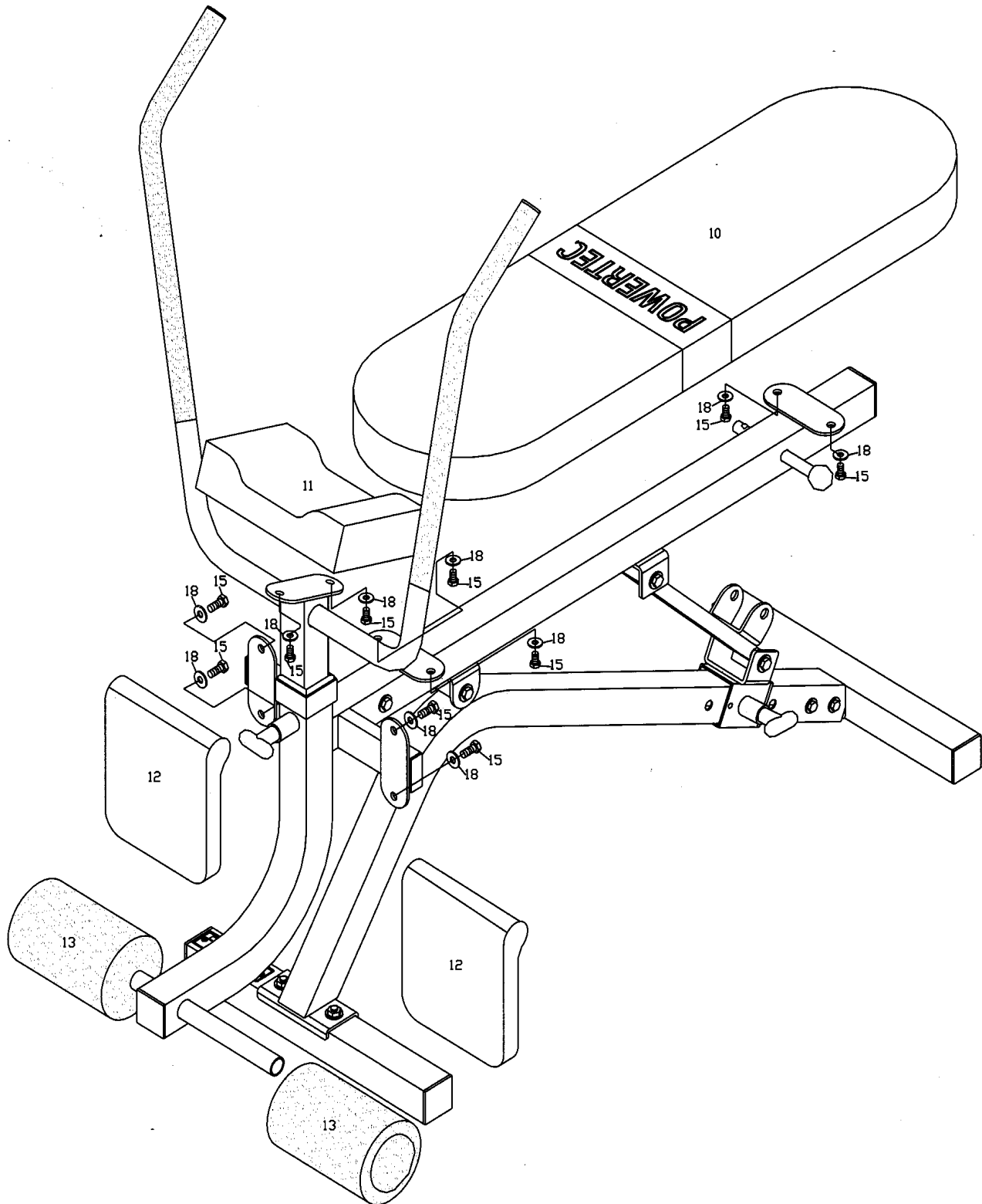


WB-AB-S

DUAL AB BENCH

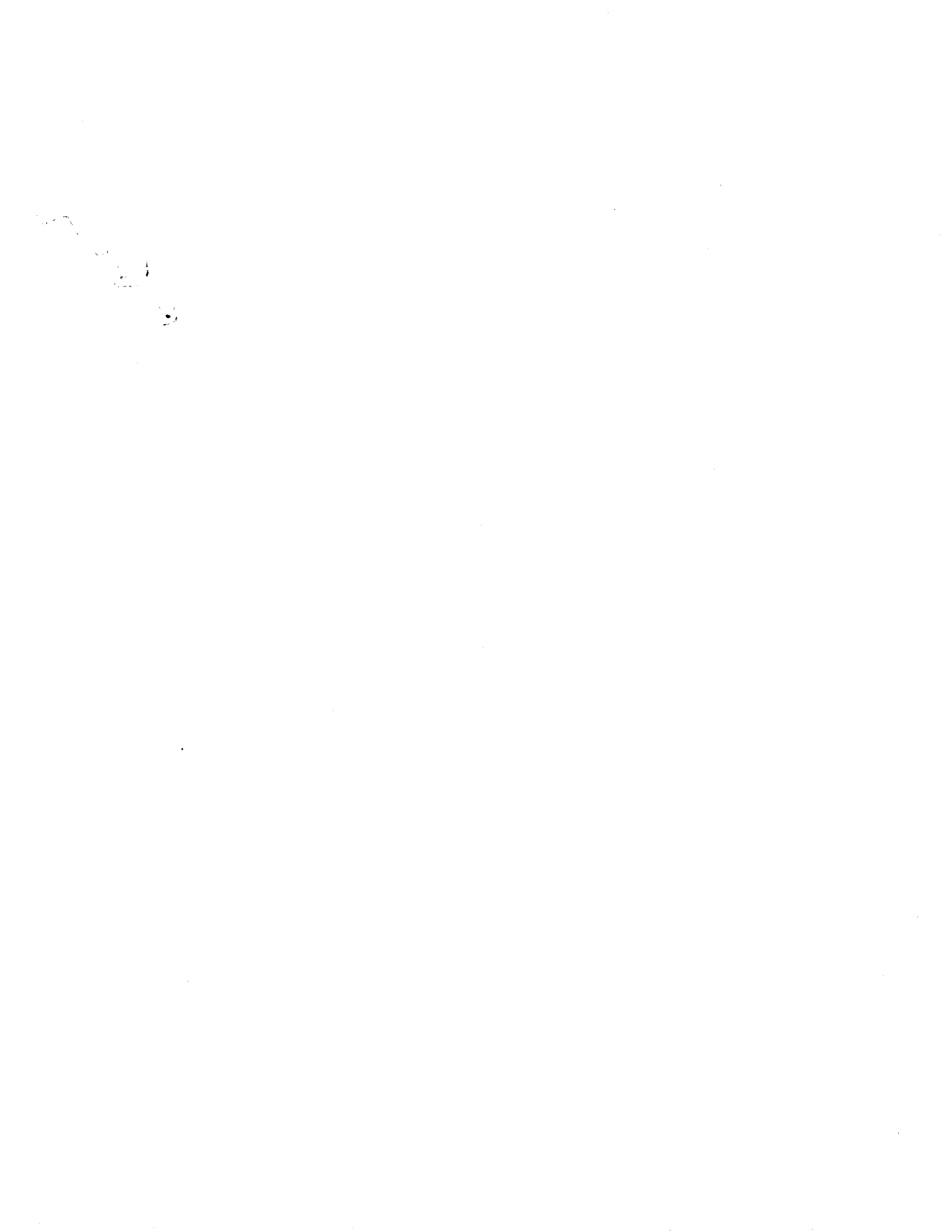
ASSEMBLY FOUR

POWERTEC



WB-AB-S

DUAL AB BENCH



POWERTEC IS NOT LIABLE IF THE TRAINER SHOULD INJURE THEMSELVES WHILE USING **POWERTEC** EQUIPMENT OR WHILE PERFORMING THE TRAINING ROUTINE

POWERTEC

CLASSICS

POWERTEC, INC.

601 W. Harford St. Milford, PA 18337

Phone: (570) 296-5005

Fax: (570) 296-5009

www.powertecfitness.com

LIFETIME WARRANTY