

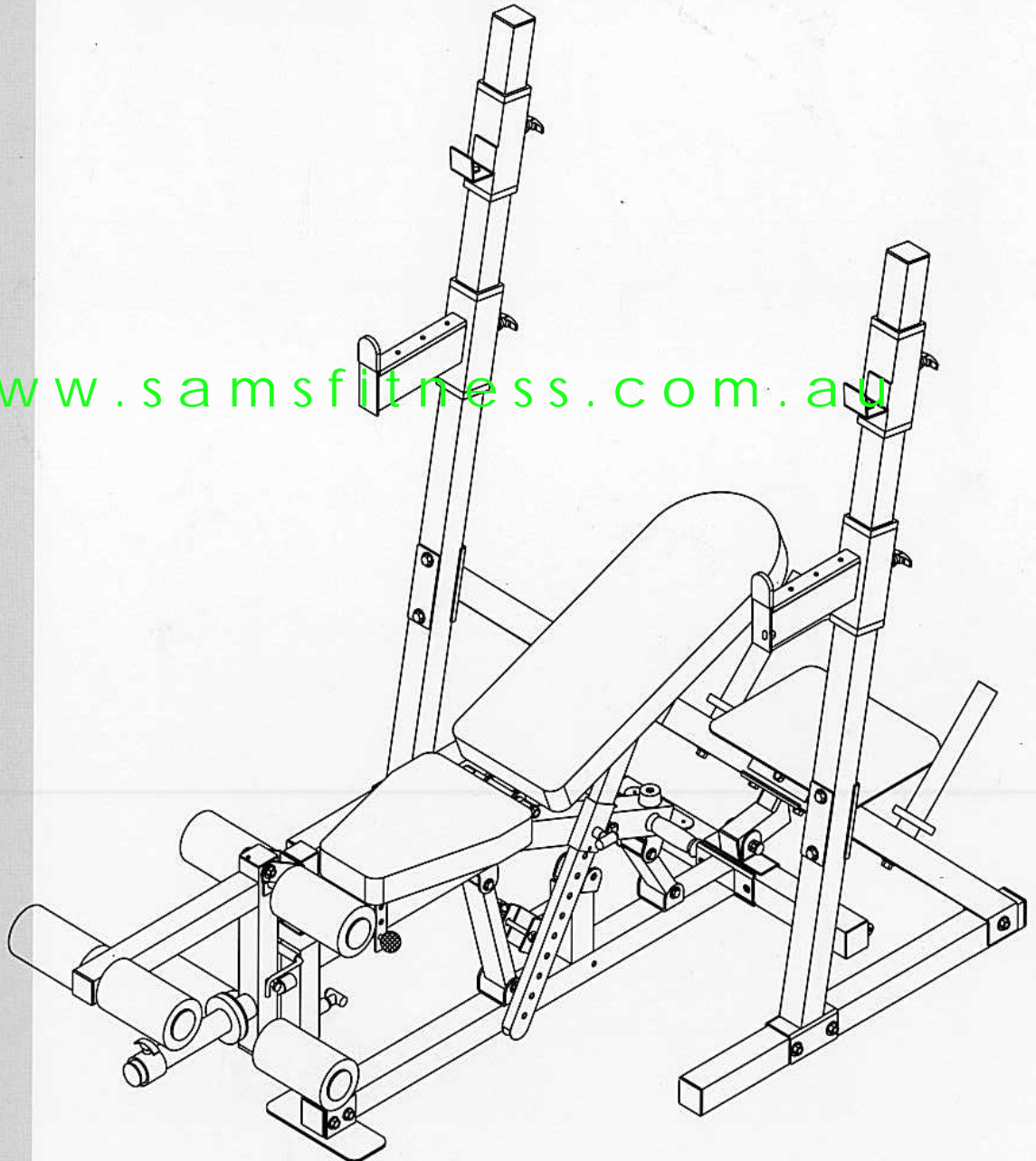
POWERTEC

WORKBENCH

WB-BRS-S

Manual

www.samsfitness.com.au



BENCH/RACK SYSTEM

www.samsfitness.com.au

HARDWARE LIST

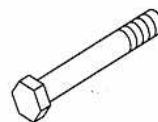
POWERTEC



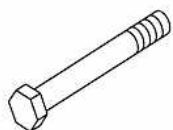
29 3/8"x1-5/8"(qty:4)



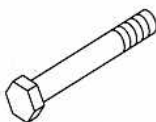
38 3/8"x3/4"(qty:6)



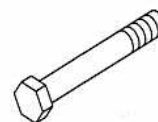
40 1/2"x3-1/4"(qty:5)



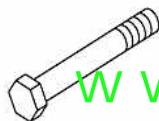
42 1/2"x3-1/2"(qty:13)



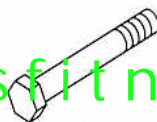
43 1/2"x4" (Qty:4)



44 1/2"x6" (Qty:1)



45 1/2"x6-1/4" (Qty:1)



66 1/2"x7-1/8" (Qty:1)



32 3/8"x11t(qty:1)



33 1/2"x8t(qty:4)



34 1/2"x16t(qty:22)



36 ϕ 10x ϕ 25x2.0t(qty:10)



37 ϕ 14x ϕ 28x2.0t(qty:51)

WB-BRS-S

BENCH/RACK SYSTEM

PART LIST

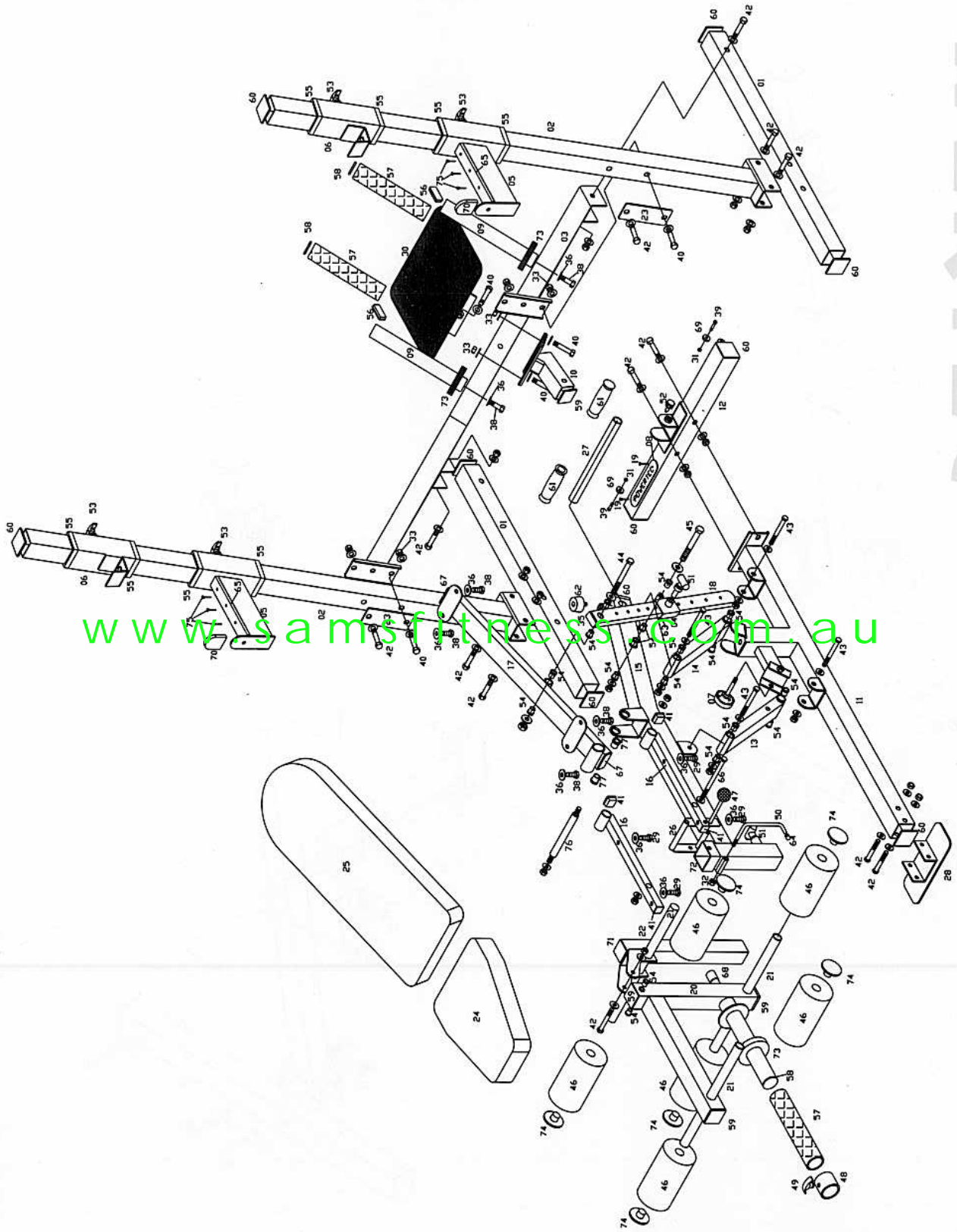
Part Description	Qty	Part Description	Qty	Part Description	Qty
1 Rack base	2	27 Bech pull up bar	1	53 Spring lock pin	4
2 Tilted upright	2	28 Footplate	1	54 Metal bushing	18
3 Cross tube	1	29 Hex bolt	4	55 Square open end cap	8
4 Backrest adj. bracket	1	30 Footplate	1	56 Rec. open end cap	2
5 Lower slide sleeve	2	31 Nylon nut	2	57 PVC sleeve	3
6 Upper slide sleeve	2	32 Nylon nut	1	58 Round inner plug	3
7 Knob bolt	1	33 Nylon nut	4	59 Square inner plug	4
8 Name plate	1	34 Nylon nut	22	60 Square inner plug	10
9 Weight horn	2	35 Rec. inner plug	1	61 Hand Grip	2
10 Connection peg	1	36 Washer	10	62 Bumper	1
11 Front Base	1	37 Washer	51	63 Rec. open end cap	1
12 Horizontal Base	1	38 Hex bolt	6	64 Small cap	1
13 Front linkage bar	1	39 Hex bolt	2	65 Rubber pad	2
14 Rear linkage bar	1	40 Half thread hex bolt	5	66 Half thread hex bolt	1
15 Mainframe tube	1	41 Rec. inner plug	4	67 Rec. inner plug	2
16 Seat tube	1	42 Half thread hex bolt	13	68 End cap	1
17 Backrest tube	1	43 Half thread hex bolt	4	69 Wheel	2
18 Backrest adj. tube	1	44 Half thread hex bolt	1	70 Rubber cap	2
19 Rivet	2	45 Half thread hex bolt	1	71 Square inner plug	1
20 Leg developer tube	1	46 Roller foam	6	72 Square open end cap	1
21 Roller foam tube	3	47 Ball head lock pin	1	73 Bumper	3
22 Seat support	1	48 Collar	1	74 Round inner plug	6
23 Reinforcement plate	2	49 Spring lock pin	1	75 Flash head screw	6
24 Seat pad	1	50 Leg lift safe hook	1	76 Axis steel	1
25 Backrest pad	1	51 Spring lock pin	2	77 Metal bushing	2
26 Seat adj. bracket	1	52 Rapid lock pin	1		

WB-BRS-S BENCH/RACK SYSTEM

POWERTEC

EXPLODED DIAGRAM

POWERTEC



www.samfitness.com.au

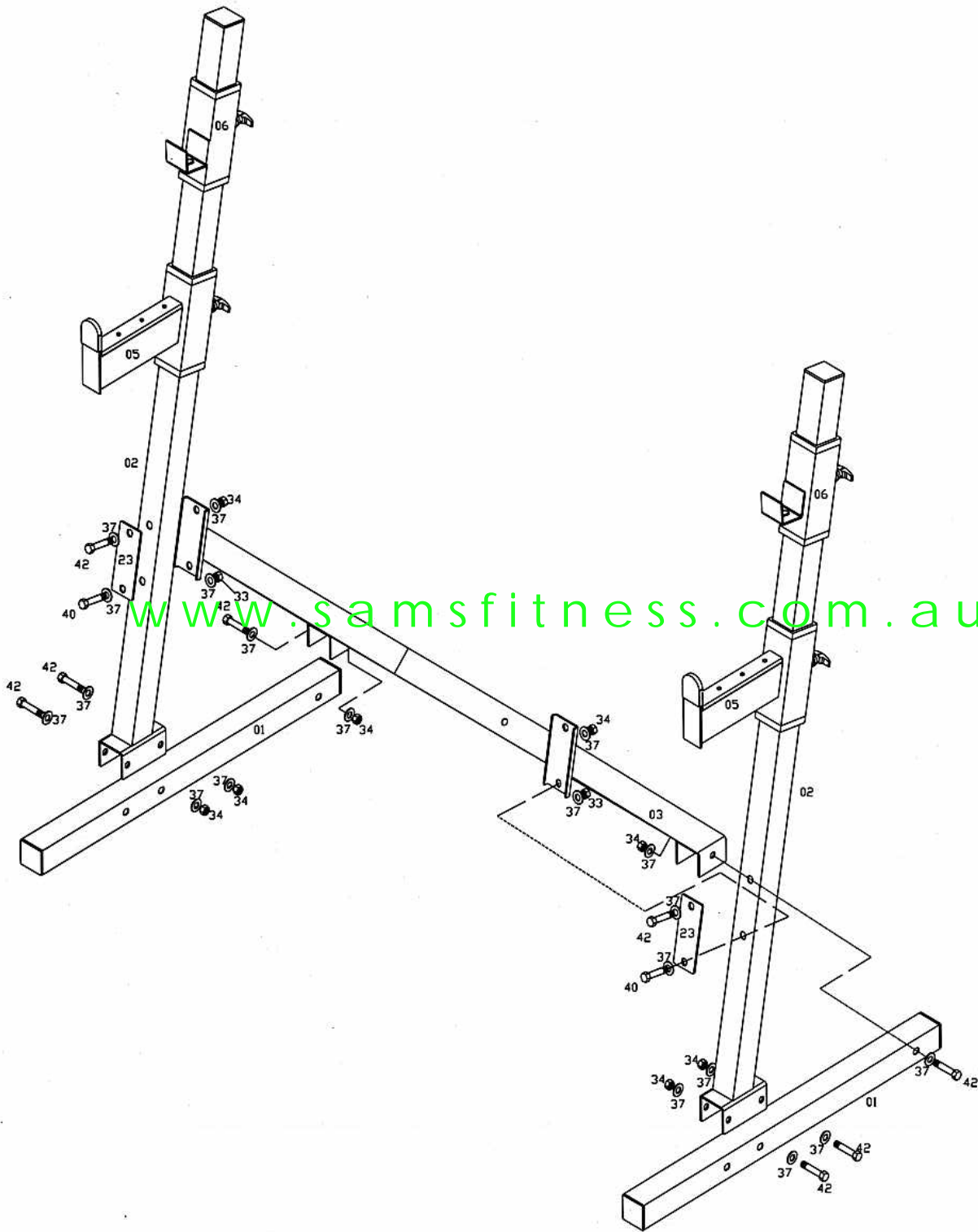
*Unmarked Washers are (37), Unmarked Nylon Nuts are (34)

WB-BRS-S

BENCH/RACK SYSTEM

ASSEMBLY ONE

POWERTEC



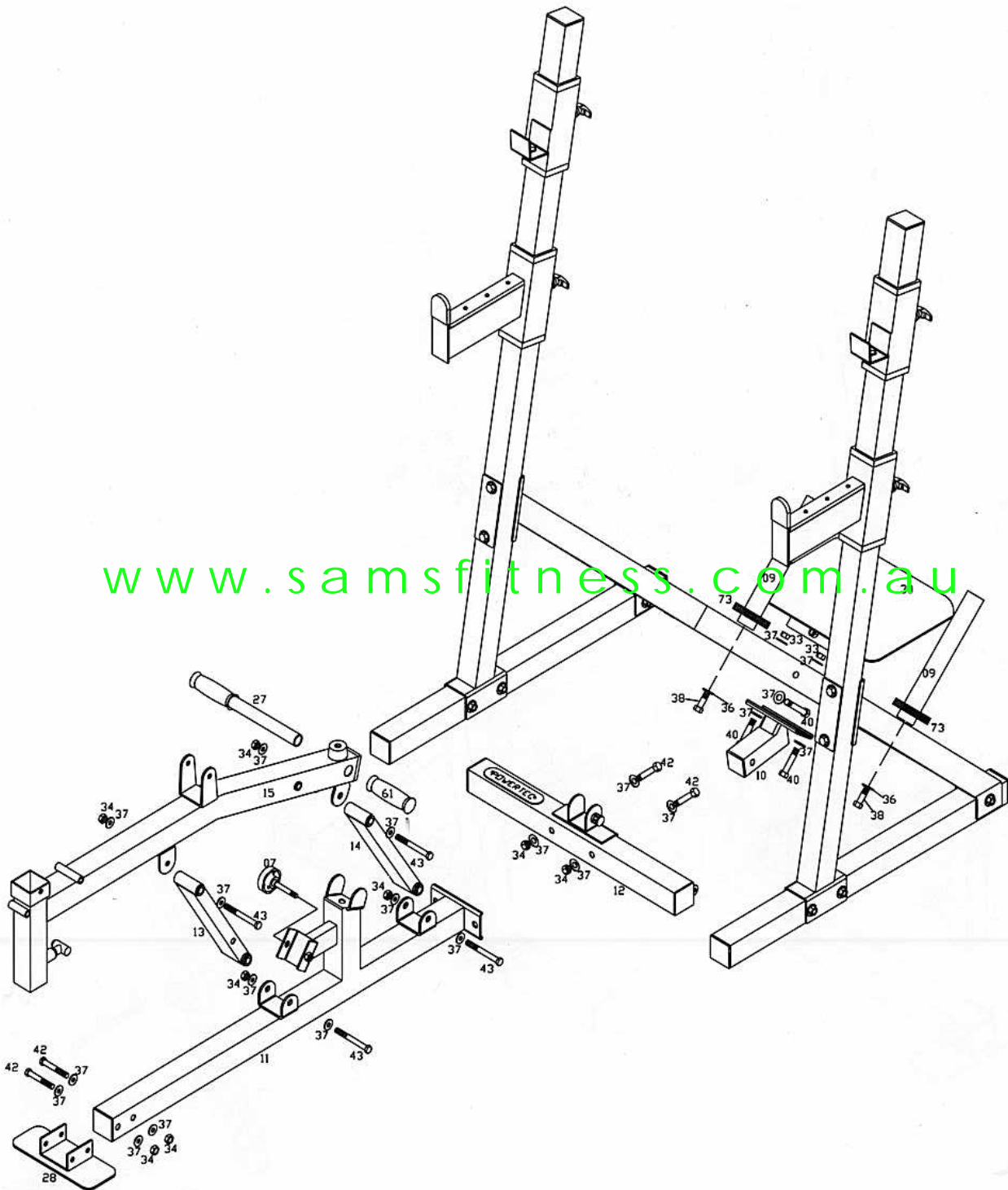
WB-BRS-S

BENCH/RACK SYSTEM

ASSEMBLY TWO

POWERTEC

www.samsfitness.com.au

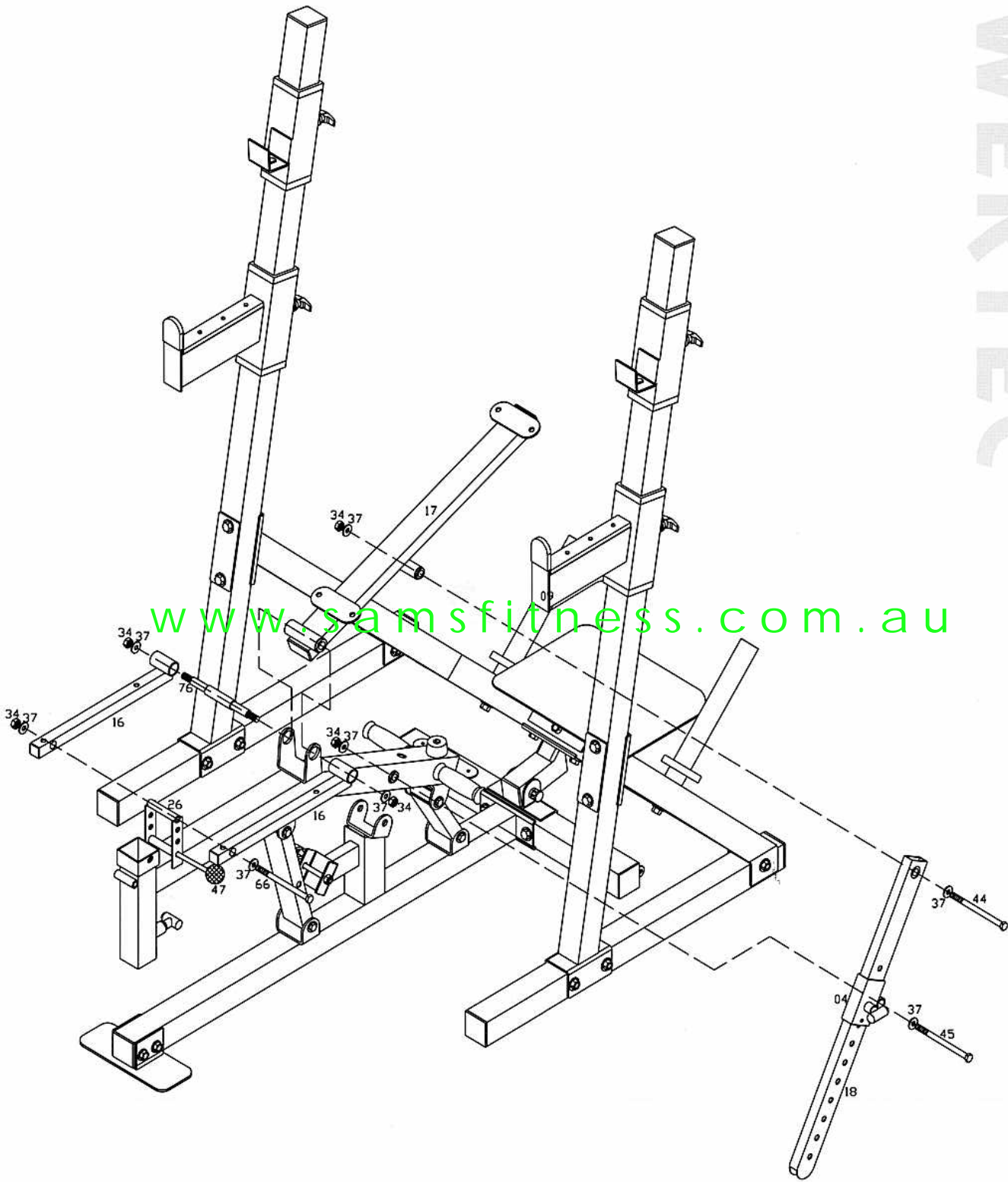


WB-BRS-S

BENCH/RACK SYSTEM

ASSEMBLY THREE

POWERTEC



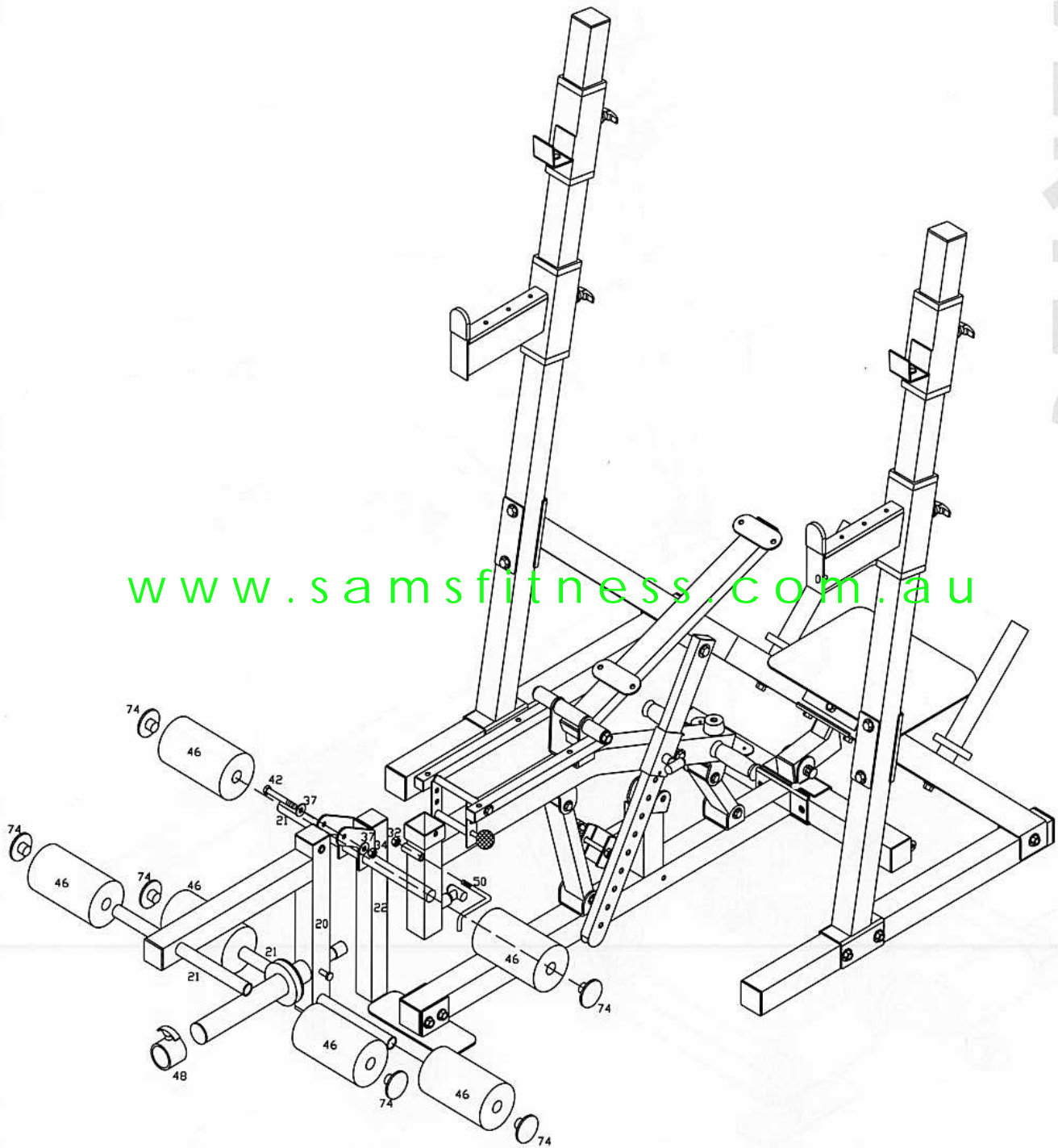
WB-BRS-S

BENCH/RACK SYSTEM

ASSEMBLY FOUR

POWERTEC

www.samsfitness.com.au

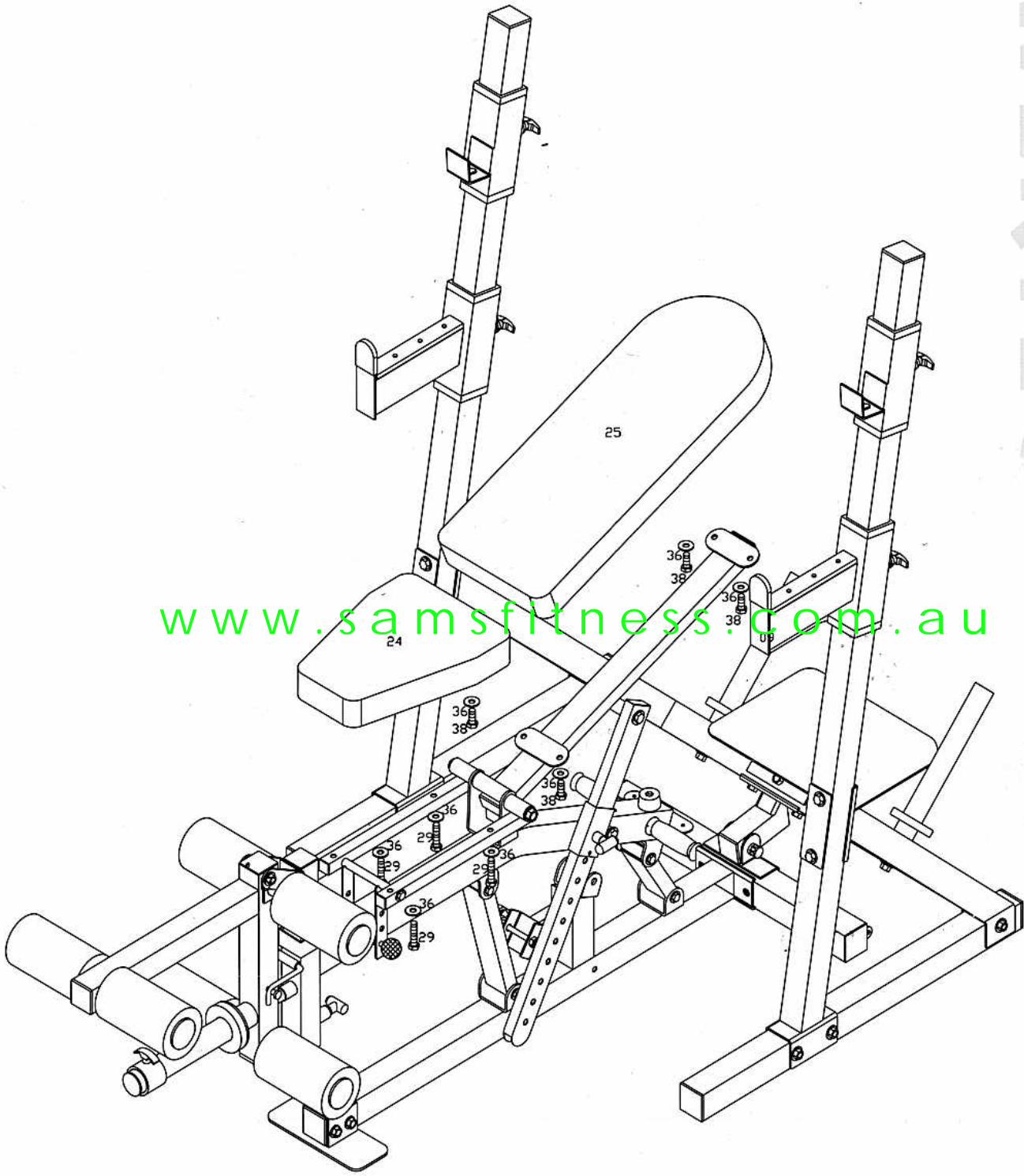


WB-BRS-S

BENCH/RACK SYSTEM

ASSEMBLY FIVE

POWERTEC



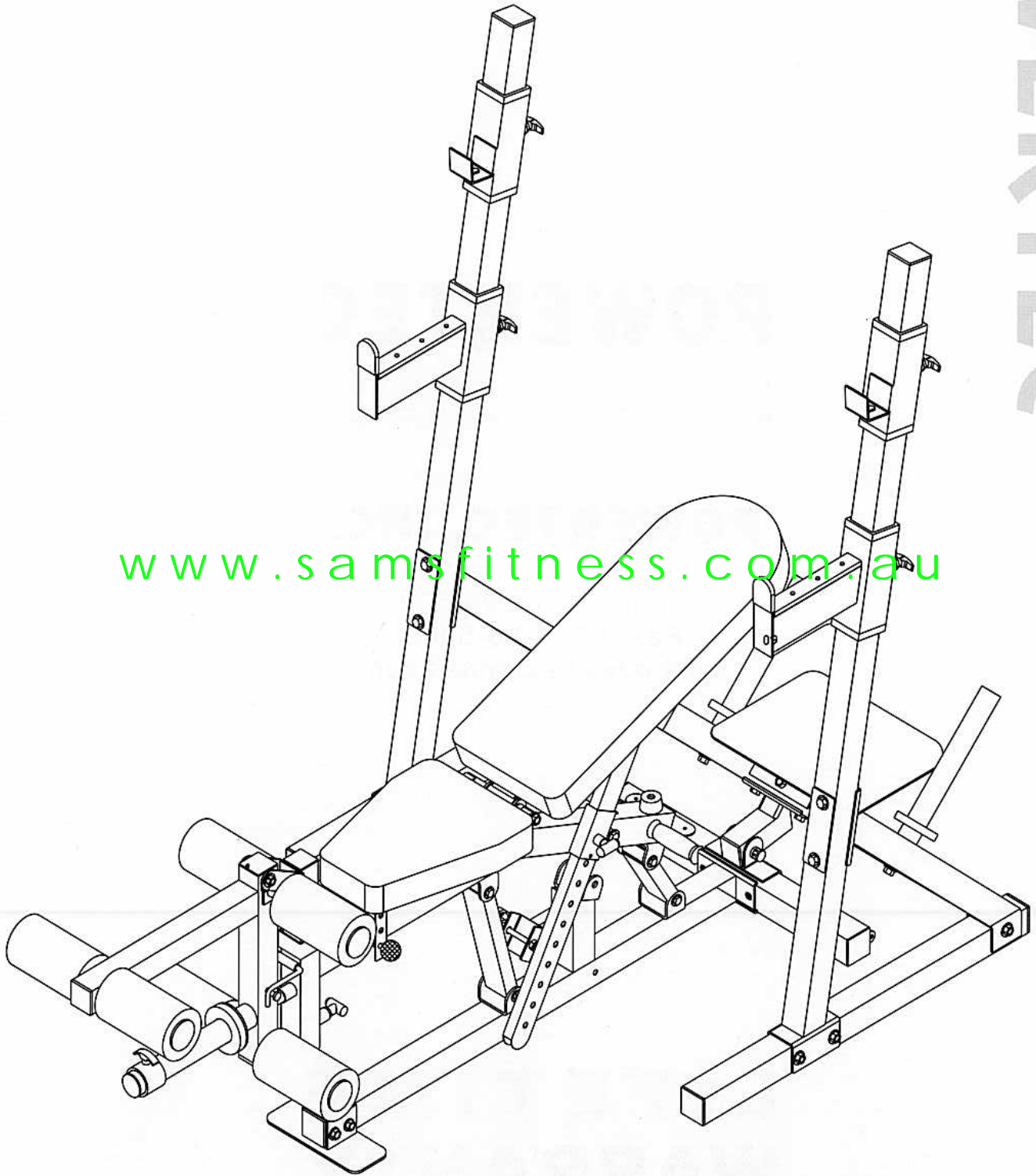
www.samsfitness.com.au

WB-BRS-S

BENCH/RACK SYSTEM

ASSEMBLY SIX

POWERTEC



www.samsfitness.com.au

WB-BRS-S

BENCH/RACK SYSTEM

POWERTEC IS NOT LIABLE IF THE TRAINER SHOULD INJURE THEMSELVES WHILE USING **POWERTEC** EQUIPMENT OR WHILE PERFORMING THE TRAINING ROUTINE

POWERTEC

WORKBENCH

POWERTEC, INC.

www.samsfitness.com.au

601 W. Harford St. Milford, PA 18337

Phone: (570) 296-5005

Fax: (570) 296-5009

www.powertecfitness.com

LIFETIME WARRANTY