

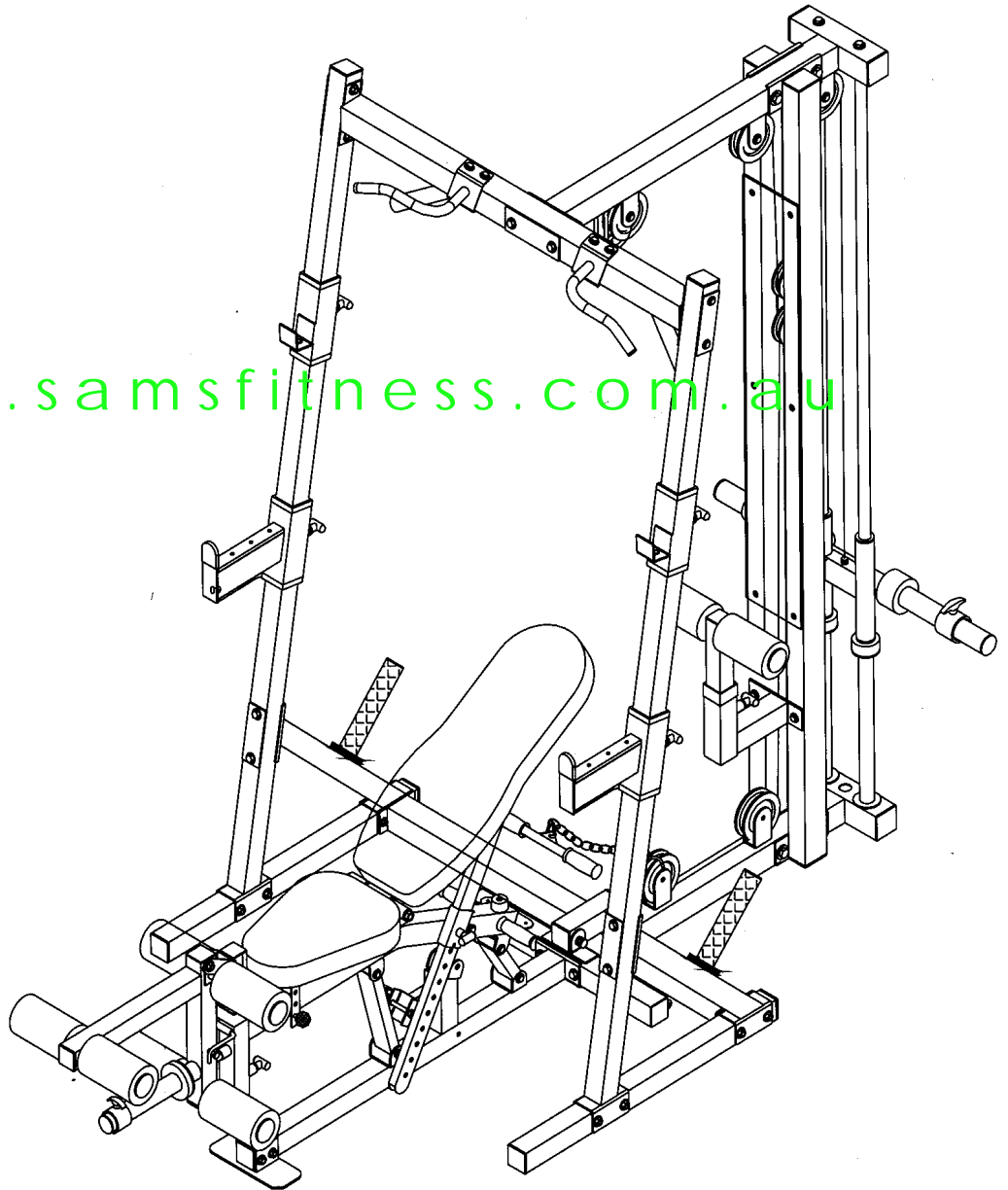
POWERTEC

WORKBENCH

WB-BRS6

Manual

www.samsfitness.com.au



Bench Rack System

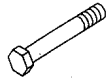
www.samsfitness.com.au

HARDWARE LIST

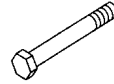
POWERTEC



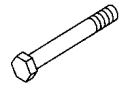
89 3/8"x3/4"(qty:6)



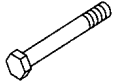
91 1/2"x3-1/4"(qty:2)



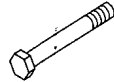
92 1/2"x3-1/2"(qty:25)



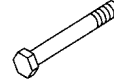
94 1/2"x6"(qty:1)



95 1/2"x6-1/4"(qty:1)



96 1/2"x7-1/8"(qty:1)



97 1/2"x3-3/4"(qty:6)



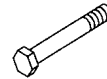
98 1/2"x1-1/4"(qty:2)



99 3/8"x2"(Qty: 5)



100 3/8"x1-5/8"(Qty: 4)



101 1/2"x4-1/8" (Qty:2)



103 M5x15(Qty: 6)



81 1/2"x8t(qty:2)



82 1/2"x16t(qty:38)



84 3/8"x11t(qty:5)



86 $\phi 10 \times \phi 25 \times 2t$ (qty:20)



87 $\phi 14 \times \phi 28 \times 2t$ (qty:78)

www.samsfitness.com.au

WB-BRS6

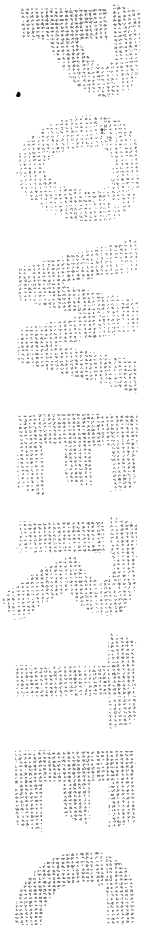
BENCH RACK SYSTEM

PART LIST

Part	Description	QTY	Part	Description	QTY
1	Rack base	2	31	Slide upright	2
2	Tilted upright	2	32	Upper tube	1
3	Cross tube	2	33	Slide support	2
4	Backrest adj bracket	1	34	Weight horn	1
5	Lower slide sleeve	2	35	Weight tube	1
6	Upper slide sleeve	2	36	Weight Adaptor	2
7	Knob bolt	1	37	Weight support tube	2
8	Lower link tube	1	38	Roller foam adj tube	1
9	Upper link tube	1	39	Roller form tube	1
10	Bottom connection tube	1	40	Lat bar	1
11	Front base	1	41	Lower row bar	1
12	Horizontal base	1	42	Handle grip	2
13	Front linkage bar	1	43	Reinforcement plate	2
14	Rear linkage bar	1	44	Plexiglas shroud	1
15	Mainframe tube	1	45	Round inner plug	8
16	Seat tube	2	46	Roller form	8
17	Backrest tube	1	47	Ball head lock pin	1
18	Backrest adj tube	1	48	Collar	3
19	Axis Steel	1	49	Metal bushing	2
20	Leg developer	1	50	Square inner plug	1
21	Roller foam tube	4	51	Square inner plug	4
22	Seat support	1	52	"T" spring lock pin	3
23	Reinforcement plate	2	53	"T" spring lock pin	4
24	Seat pad	1	54	Rapid lock pin	1
25	Backrest pad	1	55	Metal bushing	8
26	Seat adj bracket	1	56	Square inner plug	2
27	Bench pull up bar	1	57	PVC sleeve	5
28	Footplate	1	58	Round inner plug	5
29	Hex bolt	1	59	Rec inner plug	5
30	Rear base	1	60	Square inner plug	14

WB-BRS6

BENCH RACK SYSTEM



PART LIST 2

POWERTEC

Part	Description	QTY	Part	Description	QTY
61	Hand grip	4	87	Washer	86
62	Bumper	1	88	Washer	4
63	Metal bushing	1	89	Hex bolt	8
64	Bumper	2	90	Hex bolt	2
65	Rec inner plug	2	91	Half thread hex bolt	2
66	End cap	1	92	Half thread hex bolt	25
67	Wheel	2	93	Half thread hex bolt	4
68	Bumper	2	94	Half thread hex bolt	1
69	Rubber bumper	3	95	Half thread hex bolt	1
70	Washer	4	96	Half thread hex bolt	1
71	Pulley	7	97	Half thread hex bolt	6
72	Bumper	2	98	Bolt	2
73	Bumper	4	99	Half thread hex bolt	5
74	PVC sleeve	2	100	Half thread hex bolt	6
75	PVC sleeve	2	101	Half thread hex bolt	2
76	Rec inner plug	4	102	Flash head screw	6
77	Ellipse hook	4	103	Flash head screw	6
78	Chain	1	104	Flash head screw	4
79	Washer	18	105	Flash head screw	4
80	Washer	2	106	Reinforcement plate	3
81	Nylon nut	2	107	Name plate	1
82	Nylon nut	42	108	Rivet	2
83	Nylon nut	2	109	Hex nut	1
84	Nylon nut	6	110	Cable	1
85	Nylon nut	2	111	Cable	1
86	Washer	22	112	PVC plastic	2

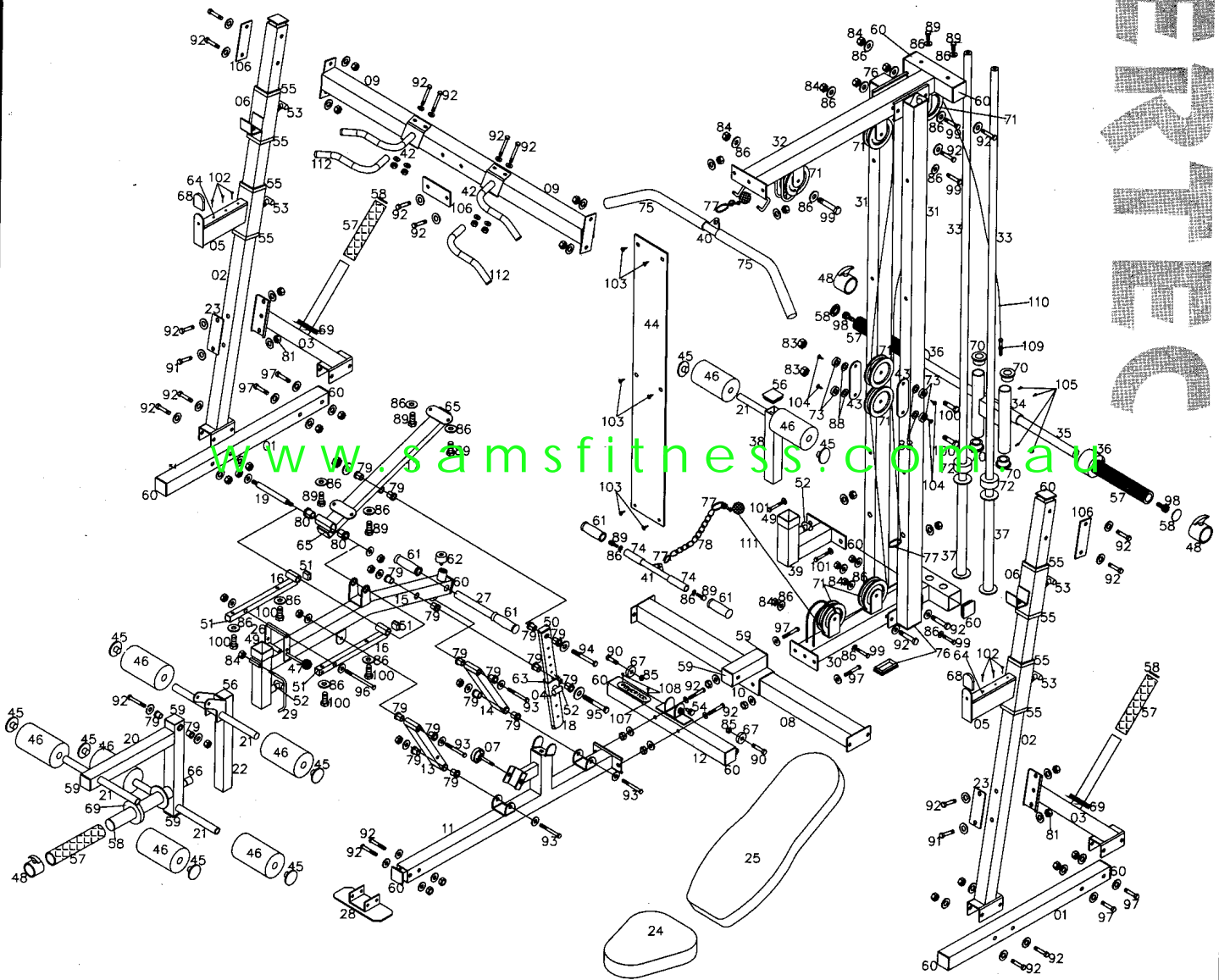
www.samsfitness.com.au

WB-BRS6

BENCH RACK SYSTEM

EXPLODED DIAGRAM

POWERTEC

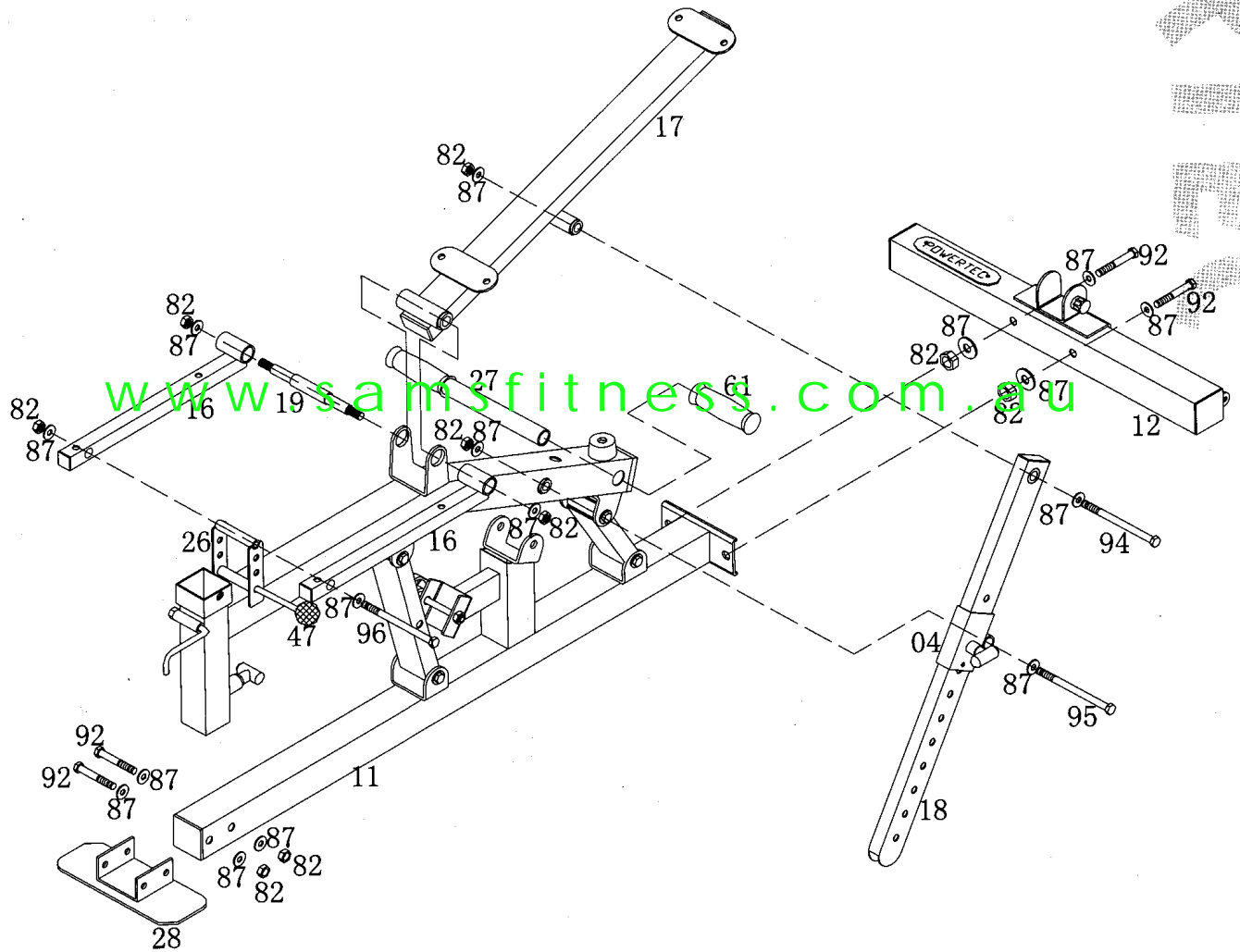


WB-BRS6
BENCH RACK SYSTEM

ASSEMBLY ONE

Note before beginning assembly:

Always insert all bolts through holes prior to tightening due to precision fit



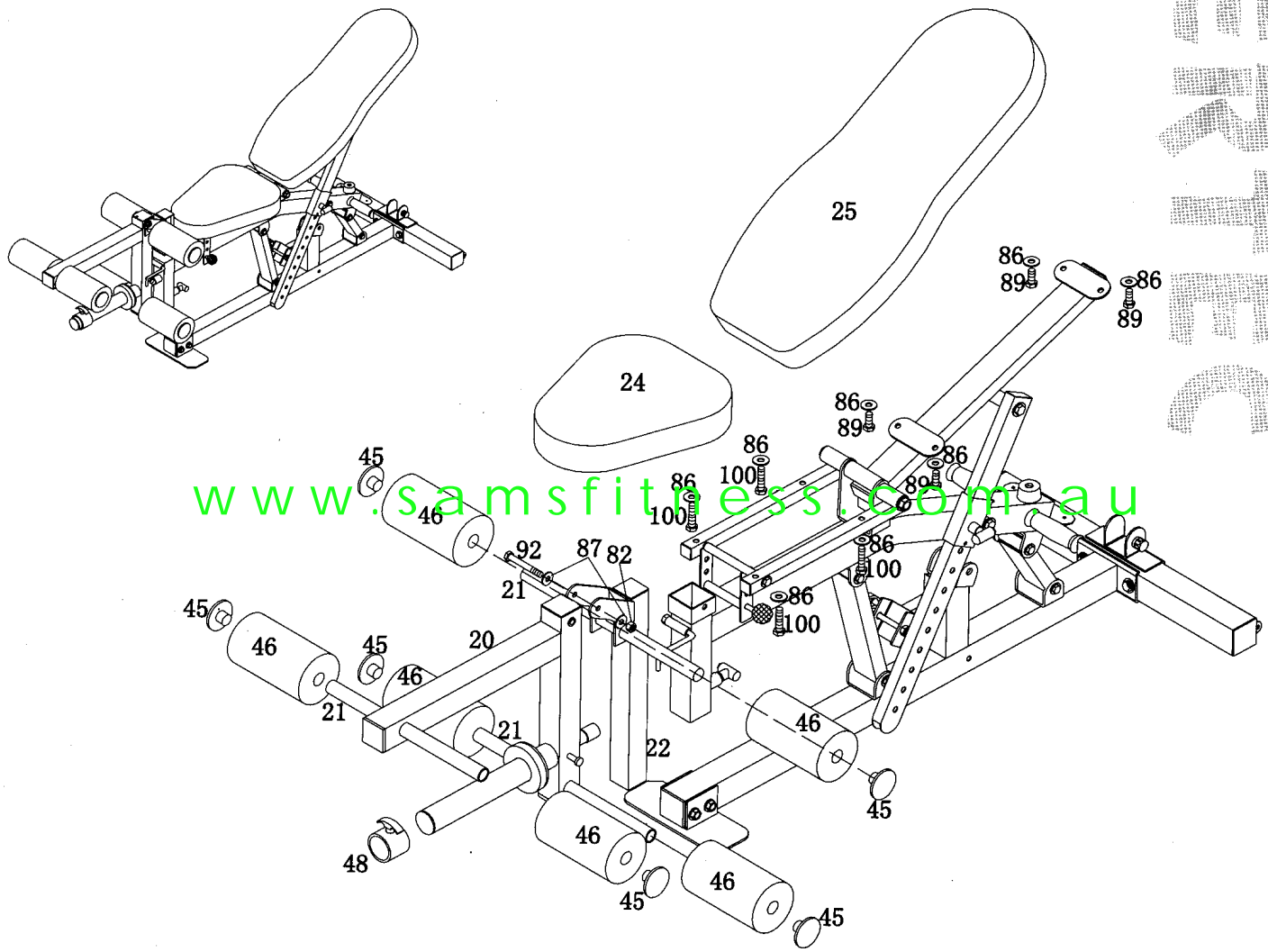
POWERTEC

WB-BRS6

BENCH RACK SYSTEM

ASSEMBLY TWO

POWERTEC

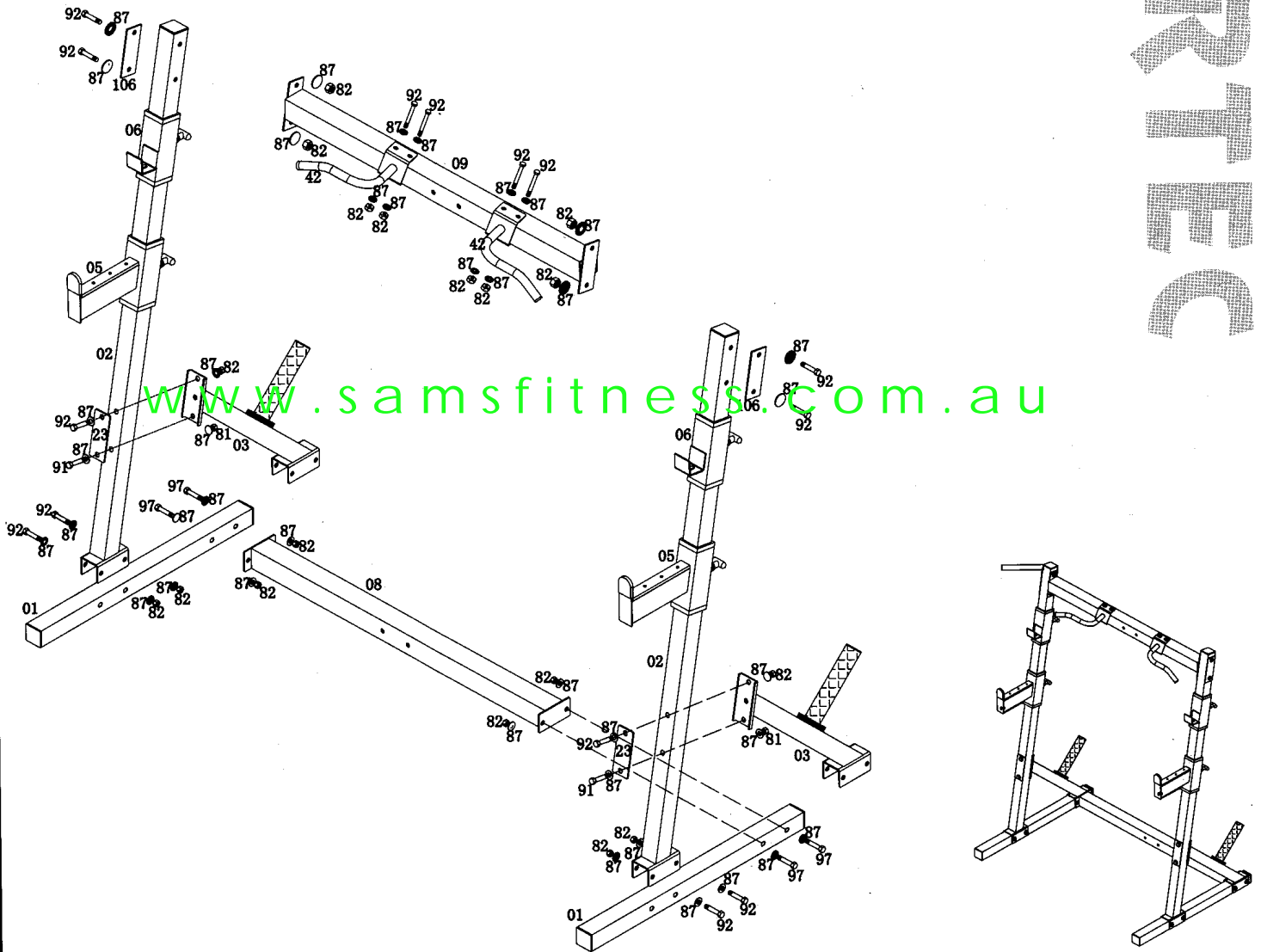


WB-BRS6

BENCH RACK SYSTEM

ASSEMBLY THREE

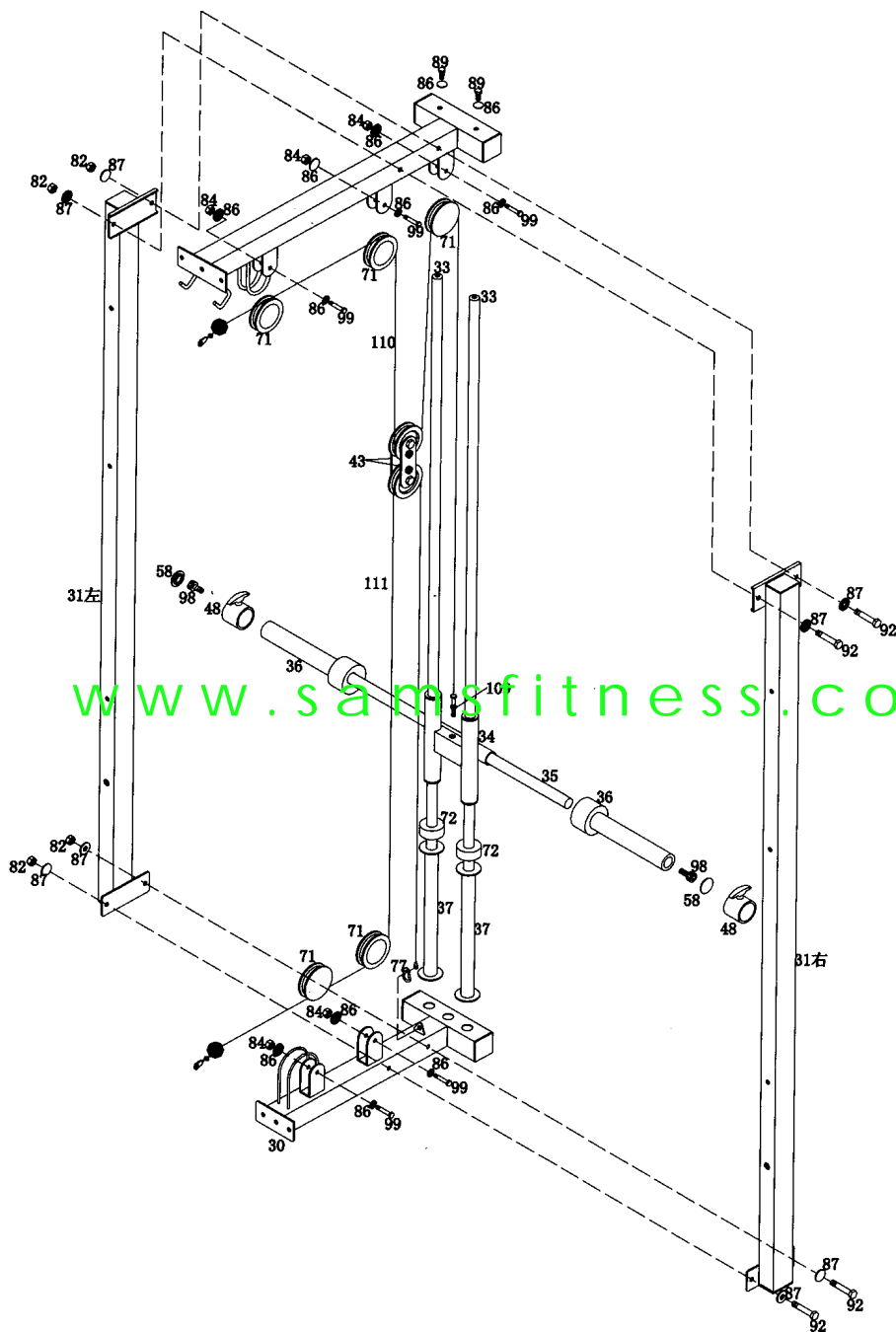
POWERTEC



WB-BRS6 BENCH RACK SYSTEM

ASSEMBLY FOUR

POWERFIT

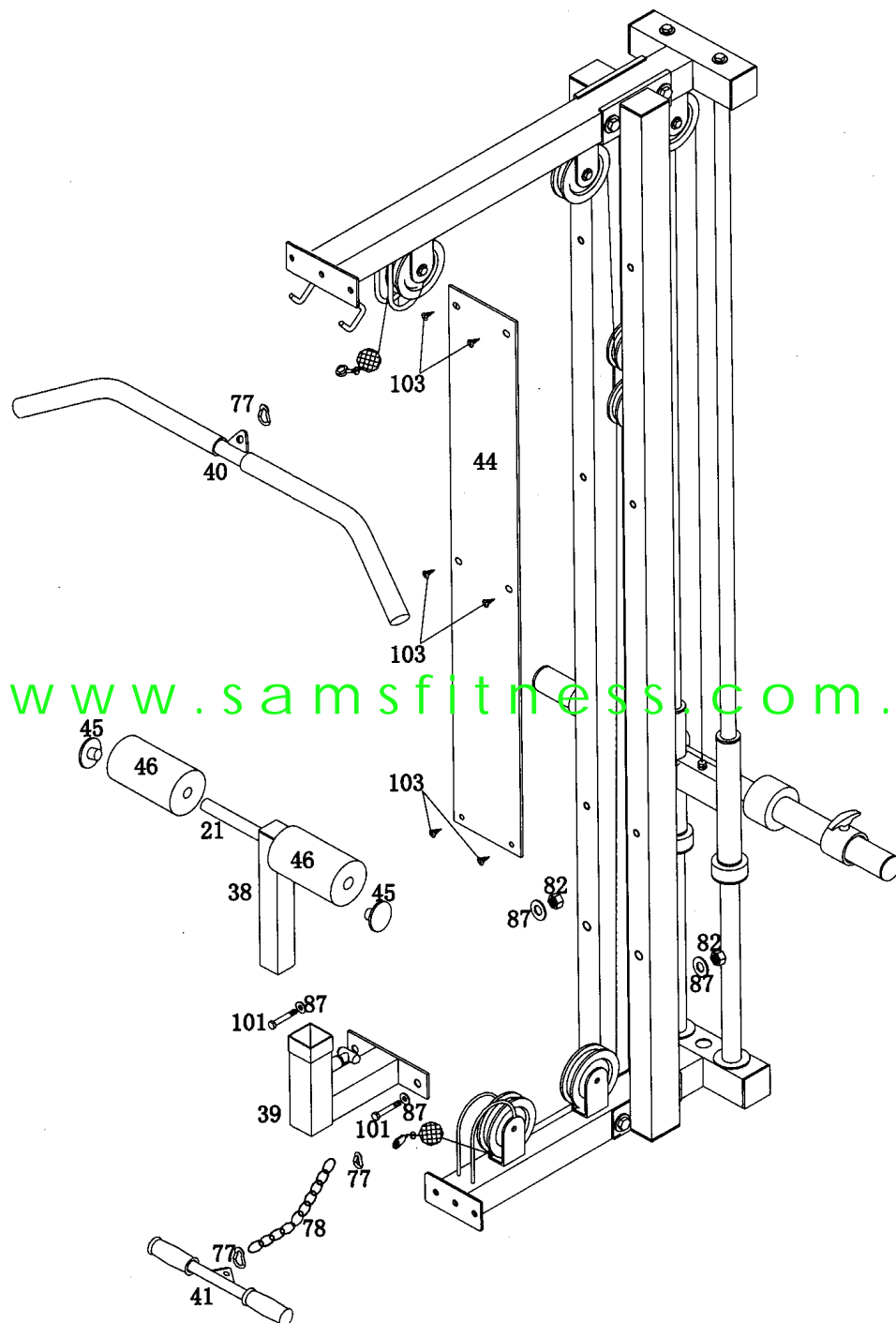


WB-BRS6

BENCH RACK SYSTEM

ASSEMBLY FIVE

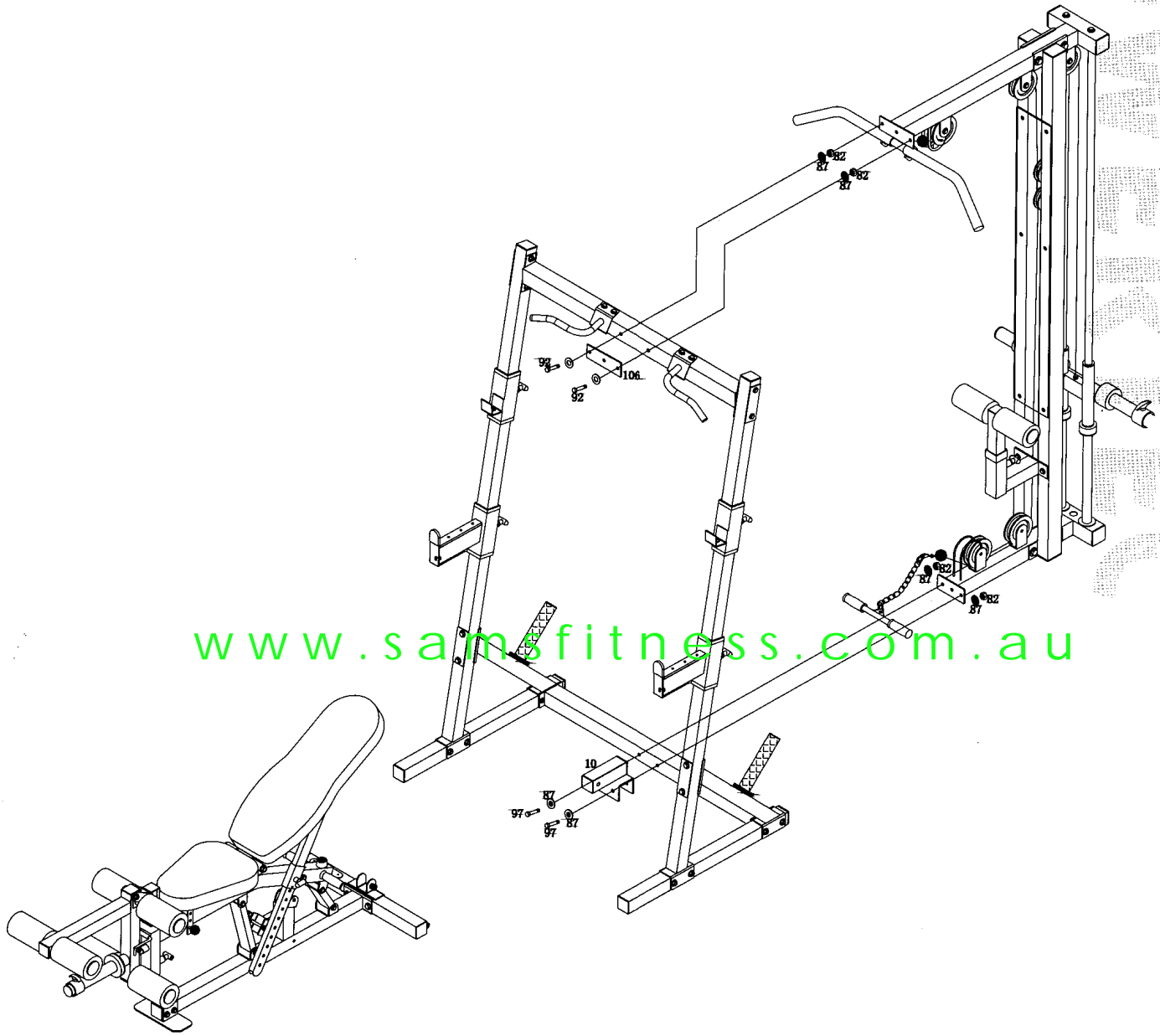
POWERTEC



WB-BRS6

BENCH RACK SYSTEM

ASSEMBLY SIX



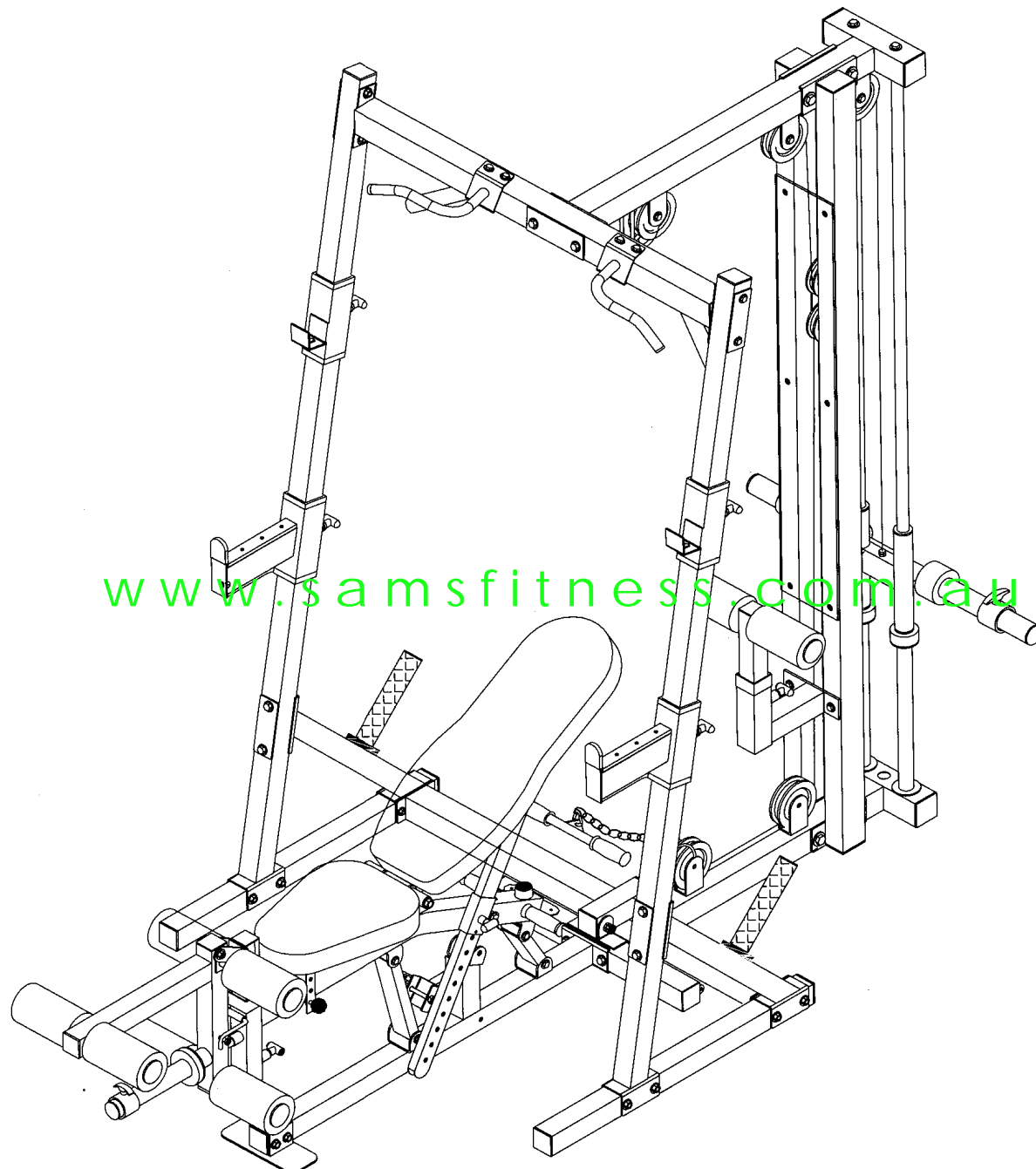
www.samfitness.com.au

WB-BRS6

BENCH RACK SYSTEM

ASSEMBLY SEVEN

POWERTEC



www.samsfitness.com.au

WB-BRS6

BENCH RACK SYSTEM

www.samsfitness.com.au

www.samsfitness.com.au

POWERTEC IS NOT LIABLE IF THE TRAINER SHOULD INJURE THEMSELVES WHILE USING **POWERTEC** EQUIPMENT OR WHILE PERFORMING THE TRAINING ROUTINE

POWERTEC

WORKBENCH

POWERTEC, INC.

601 W. Harford St. Milford.
PA 18337

Phone: (570) 296-5005

Fax: (570) 296-5009

www.samfitness.com.au

www.powertecfitness.com

**LIMITED
LIFETIME
WARRANTY**