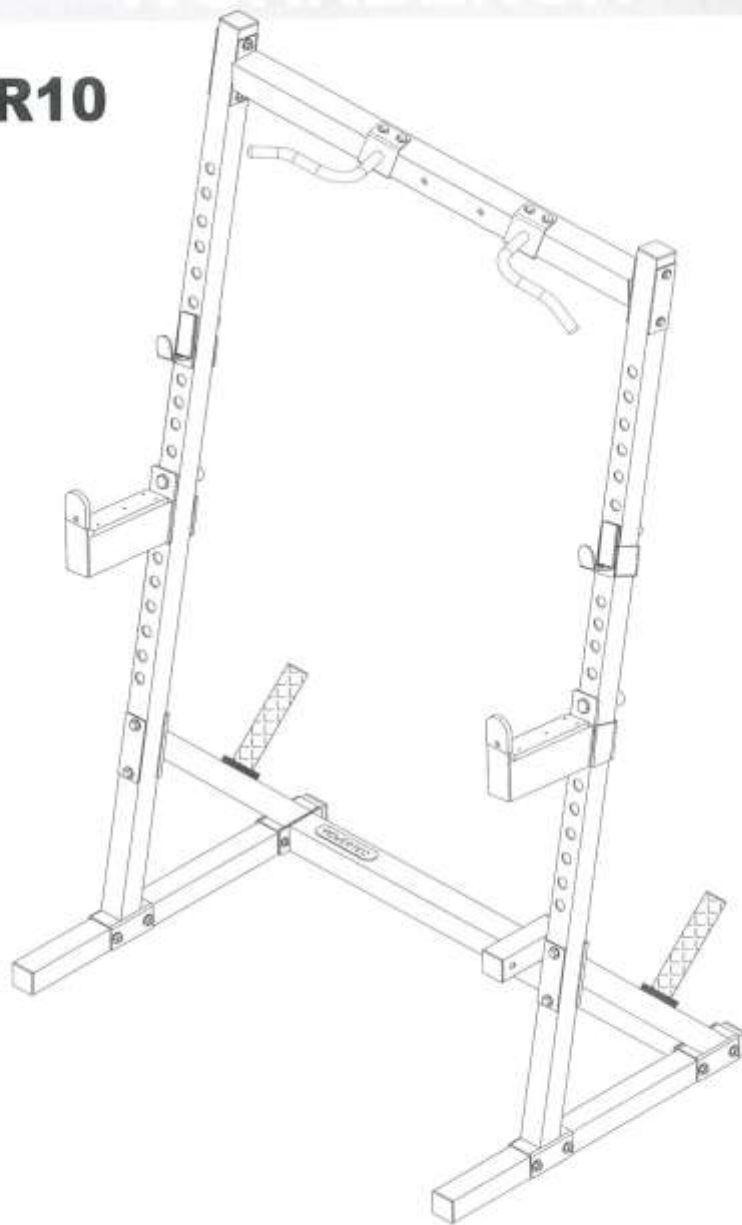


POWERTEC®

WORKBENCH

WB-HR10

Manual



Workbench Half Rack

* Please note: The numbers you may find on parts may not correlate to the assembly manual, these numbers are only to help ensure accurate packing. Warranty parts may differ slightly in appearance from originals, but the function will remain the same. "

HARDWARE LIST



19 1/2"x8t(qty:2)



20 1/2"x16t(qty:22)



21 #14x#28x2t(qty:44)



22 1/2"x3-1/2"(qty:4)



23 1/2"x3-1/4"(qty:2)



24 1/2"x3-3/4"(qty:6)

POWERTEC®

WB-HR10

Workbench Half Rack

© 2011 POWERTEC, INC. ALL RIGHTS RESERVED.

PART LIST

Part	Description	QTY
1	Rear base tube	2
2	Tilted upright	2
3	Cross tube	2
4	Upper cross tube	1
5	Lower slide tube	2
6	Upper slide tube	2
7	Lower linkage tube	1
8	Base linkage tube	1
9	Linkage plate	2
10	Linkage plate	2
11	Handle bar	2
12	PVC tube	2
13	Round inner plug	2
14	PVC sleeve	2
15	Square inner plug	6
16	Bumper	2
17	Bumper	2
18	Plastic plate	2
19	Nylon nut	2
20	Nylon nut	22
21	Washer	44
22	1/2*3-1/2' Half thread hex bolt	14
23	1/2*3-1/4' Half thread hex bolt	2
24	1/2*3-3/4' Half thread hex bolt	6
25	Screw	10
26	Rivet	2
27	Name plate	1

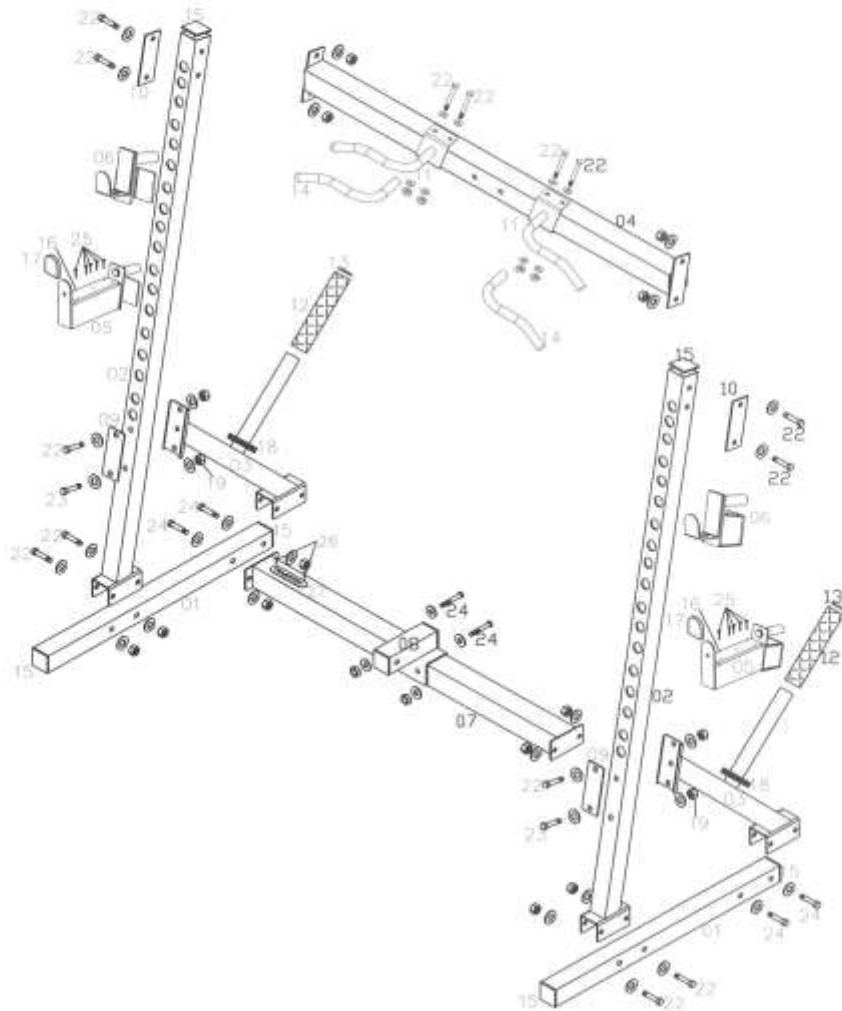
WB-HR10

Workbench Half Rack

POWERTEC

EXPLODED DIAGRAM

POWERTEC



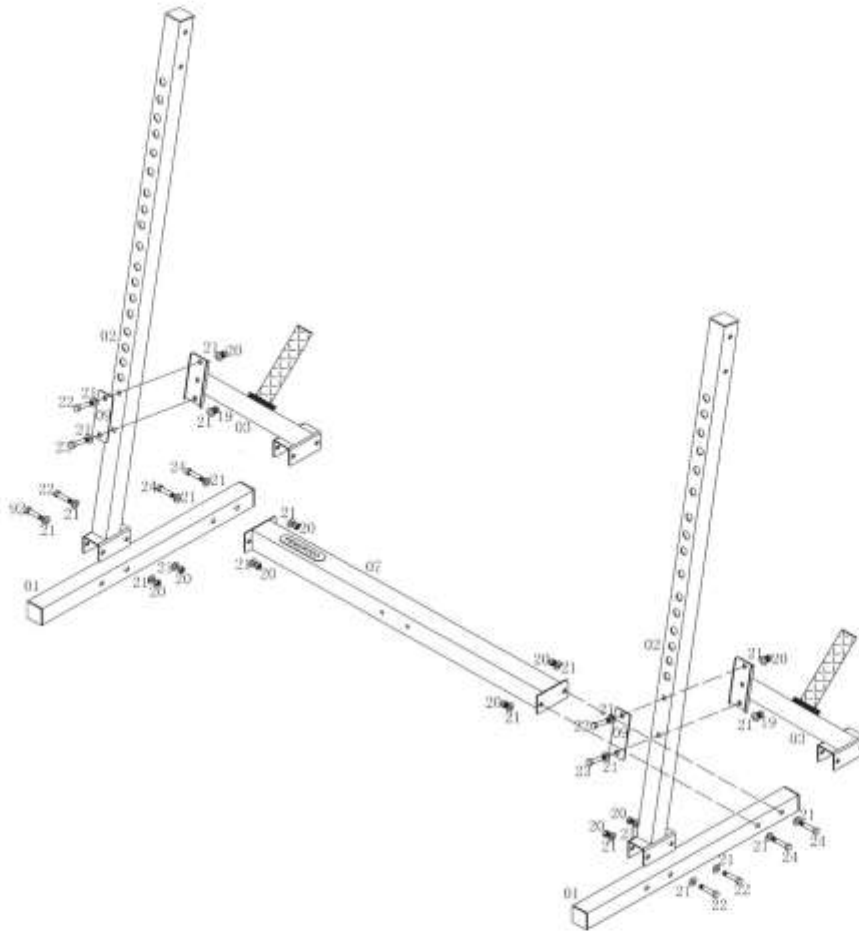
Remarks: All unmarked Washers are (21) and all unmarked Nylon Nuts are (20).

WB-HR10

Workbench Half Rack

ASSEMBLY ONE

Note before beginning assembly:
Always insert all bolts through holes prior to tightening due to precision fit



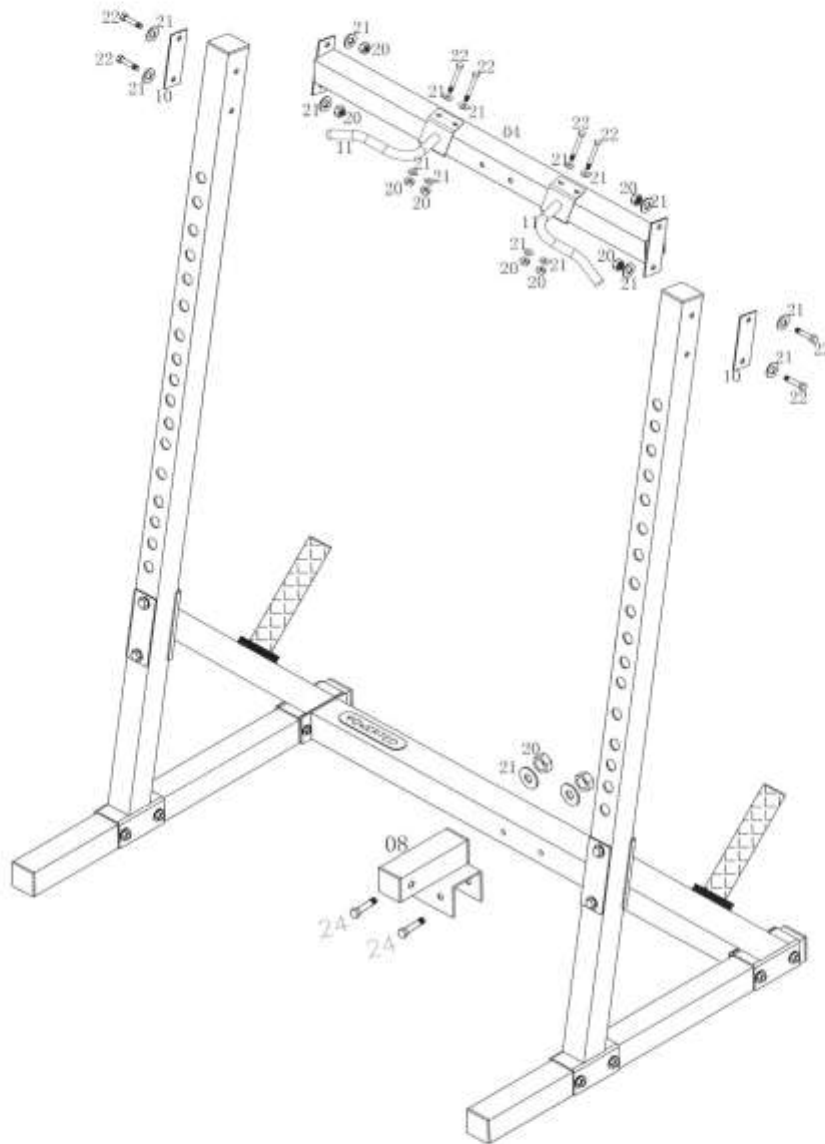
WB-HR10

Workbench Half Rack

POWERTEC®

ASSEMBLY TWO

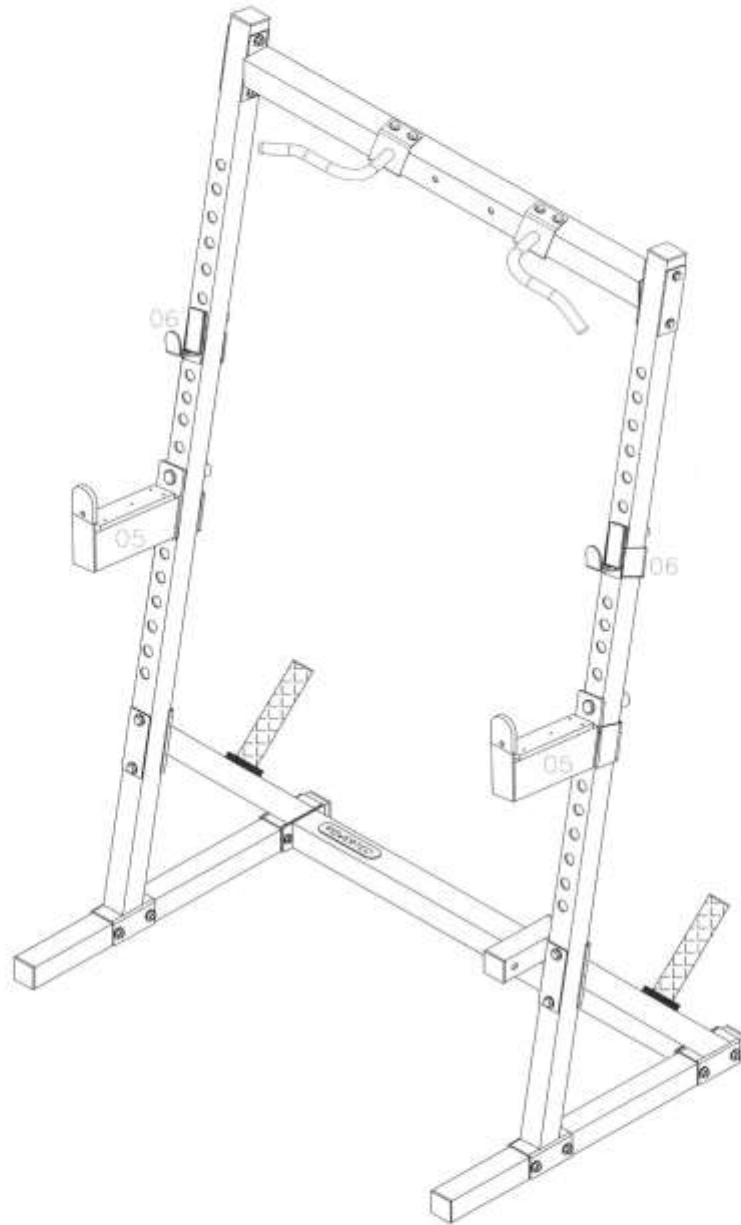
POWERTEC®



WB-HR10

Workbench Half Rack

ASSEMBLY THREE

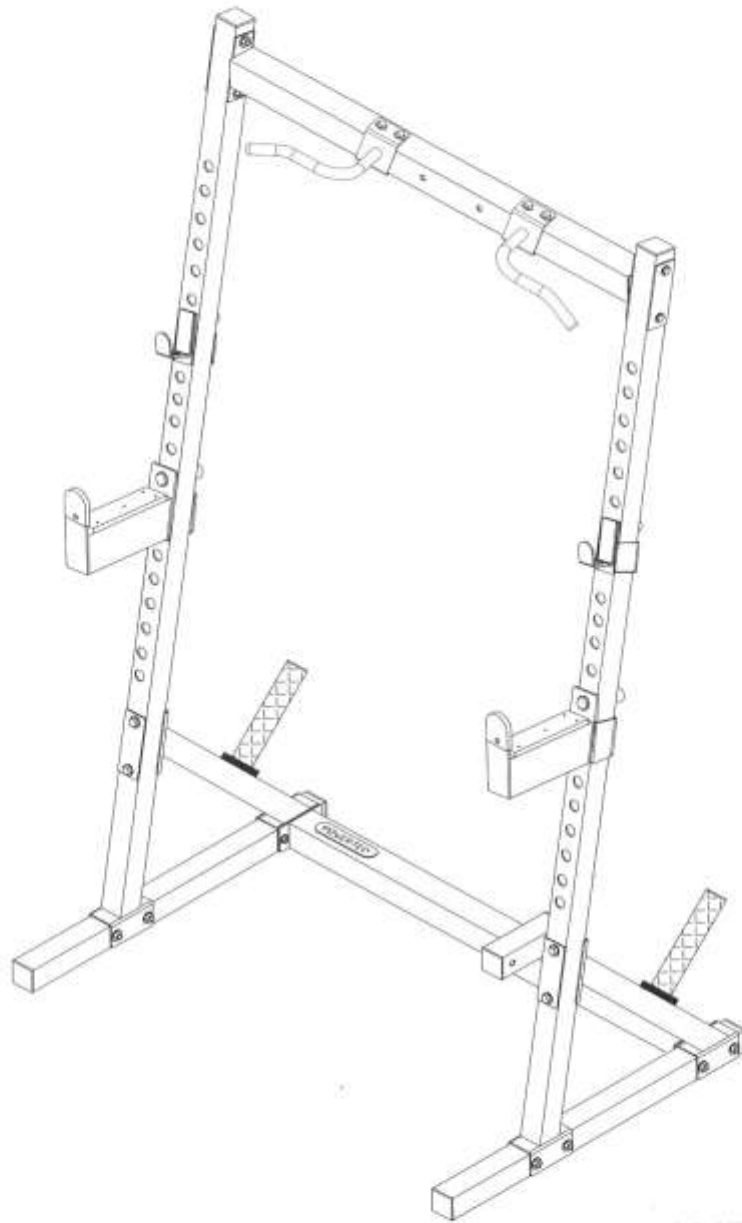


POWERTEC[®]

WB-HR10

Workbench Half Rack

ASSEMBLY FOUR

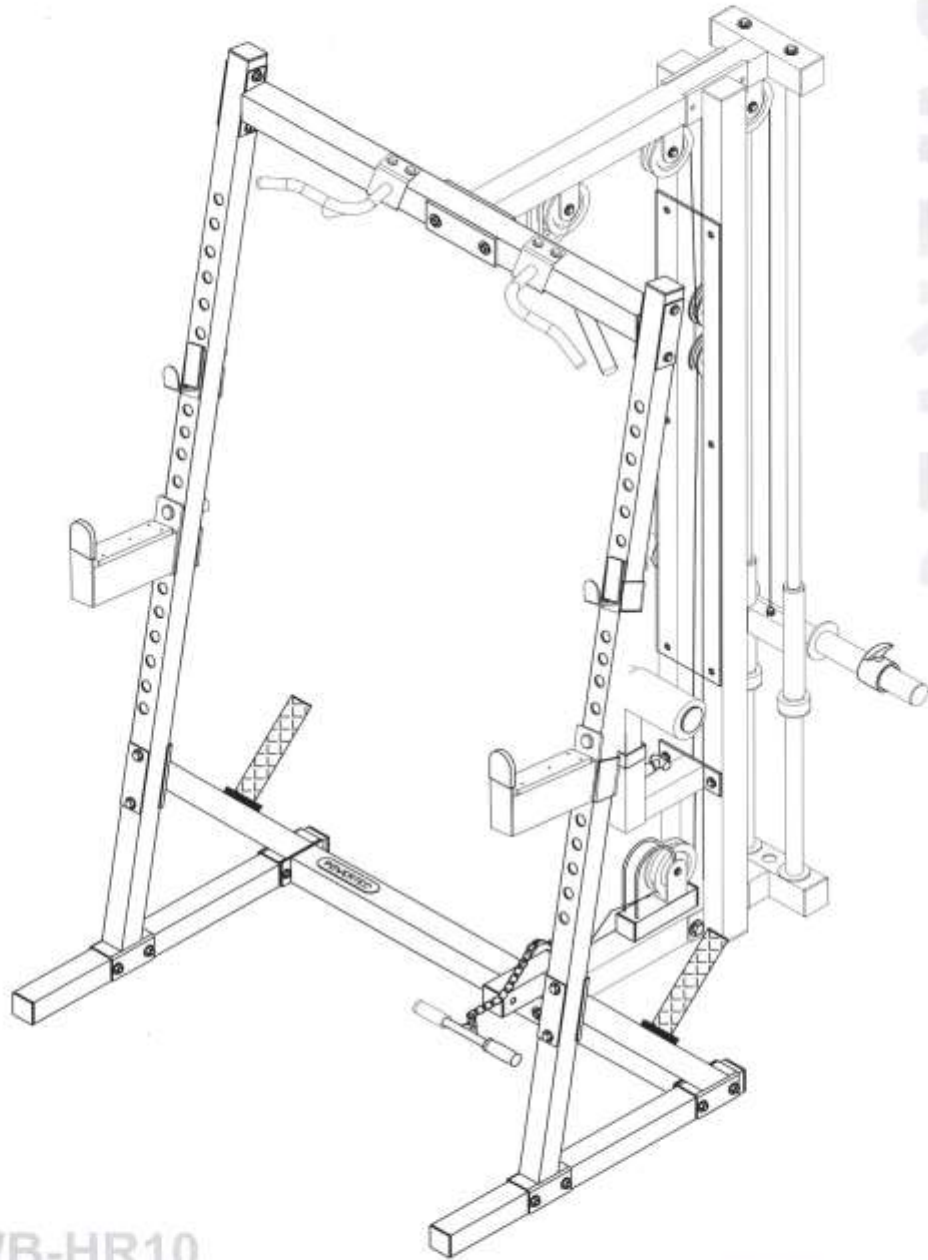


POWERTEC®

WB-HR10

Workbench Half Rack

ASSEMBLY FIVE



POWERTEC®

WB-HR10

Workbench Half Rack