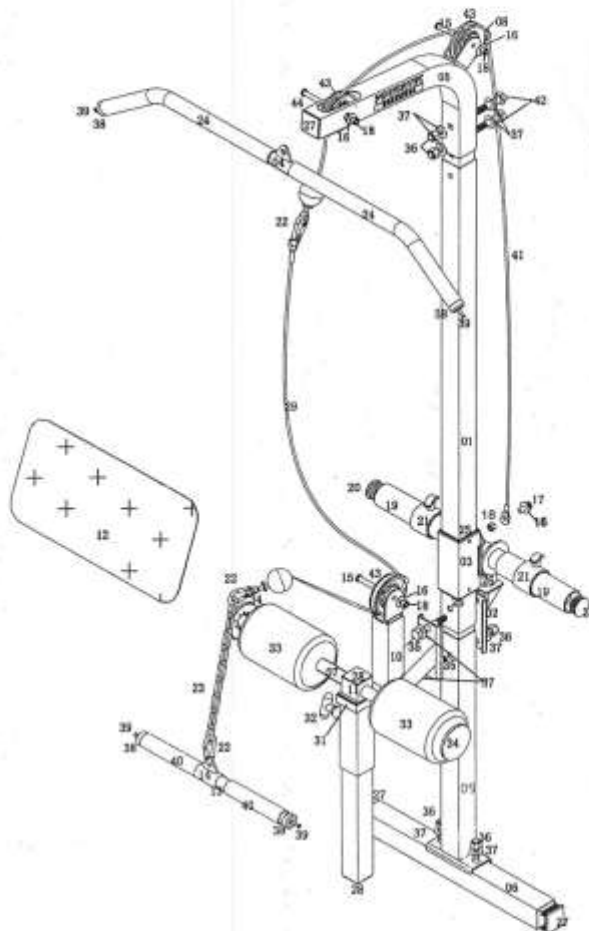


EXPLODED DIAGRAM

Part	Description	QTY
1	Upright	1
2	Bracket	1
3	Weight support Tube	1
4	Lat Tower Bar	1
5	Upper support Tube	1
6	Base Frame	1
7	Foam Tube	1
8	Stamping	1
9	Lower support Tube	1
10	Support Tube	1
11	Adjustment Tube	1
12	Footplate	1
13	Lower Lat bar	1
14	Rotating Tube	1
15	Screw	2
16	Washer	4
17	Screw	1
18	Nylon Nut	4
19	PVC sleeve	2
20	Round inner plug	2
21	Collar	2
22	Snap link	3
23	Chain	1
24	Rubber Tube	2
25	Rect. open end cap	2
26	Bumper	1
27	Square inner plug	3
28	Square inner plug	2
29	Cable	1
30	Square inner plug	4
31	Rect. open end cap	1
32	T spring pin	1
33	Roller foam	2
34	Knob bolt	2
35	Screw	2
36	Nylon nut	5
37	Washer	9
38	Endcap	4
39	Screw	4
40	Rubber Tube	2
41	Cable	1
42	Screw	2
43	Roller	3
44	Screw	1



WB-LTA11

WORKBENCH LAT TOWER ACCESSORY