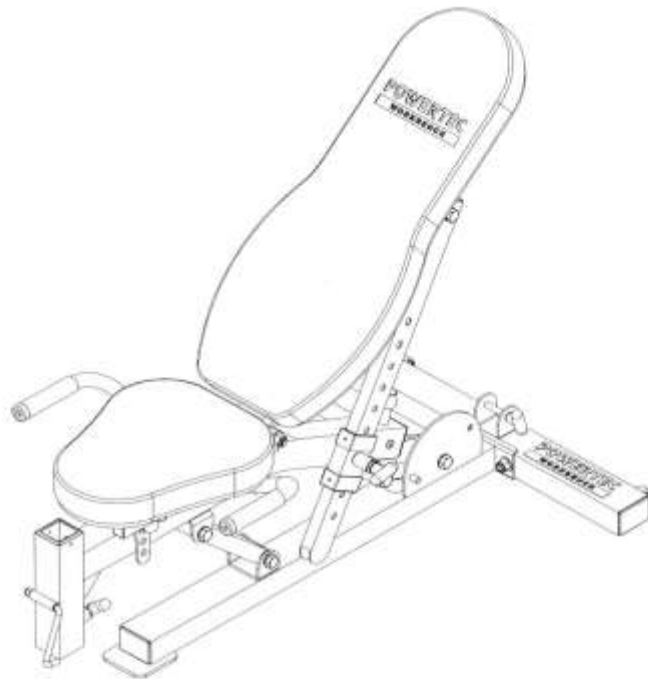


# POWERTEC<sup>®</sup>

## WORKBENCH

### WB-UB11

Manual



WORKBENCH UTILITY BENCH

" Please note: The numbers you may find on parts may not correlate to the assembly manual, these numbers are only to help ensure accurate packing. Warranty parts may differ slightly in appearance from originals, but the function will remain the same. "

---

# PART LIST

Part Description	QTY	Part Description	QTY
12 Front base frame	1	53 1/2"6-1/4" Half thread hex bolt	1
13 Rear base	1	59 Bushing	8
14 Mainframe	1	60 Washer	20
15 Rotating tube	1	63 Nylon nut	11
16 Rotating tube	1	64 3/8"3/4" Hex bolt	5
17 Handle tube	1	65 T knob	1
18 Adjust tube	1	67 1/2"6" Half thread hex bolt	1
19 Backrest tube	1	68 1/4"3/4" Hex bolt	3
20 Seat pad tube	2	69 1/2"3-3/4" Half thread hex bolt	4
21 Adjust frame	1	73 Square inner plug	1
22 1/2"3-7/8" Half thread hex bolt	2	74 Lock hook	1
23 Square inner plug	3	76 Roller	2
24 T spring pin	1	79 Rect. open end cap	1
25 Rotating tube	1	90 5/16"1-1/2" Half thread hex bolt	2
26 Backrest pad	1	99 Axes	1
27 Seat pad	1	100 Square inner plug	4
28 Bumper	2	101 1/2"7-1/8" Half thread hex bolt	1
31 Square inner plug	1	102 3/8"1-5/8" Hex bolt	4
33 Square inner plug	1	103 Bushing	2
34 Rect. open end cap	2	104 Nylon nut	2
35 T spring pin	1	105 Bearing	8
36 PVC Sleeve	3	107 3/8"2-1/2" Half thread hex bolt	2
40 End cap	3	108 Handle bar	1
41 Bumper	2		
42 Screw	6		
43 Nylon nut	1		
44 T spring pin	1		
45 Ball head bolt	1		

**WB-UB11**

**WORKBENCH UTILITY BENCH**

POWERTEC

# HARDWARE LIST



22 1/2"x3-7/8"(qty:2)



53 1/2"x6-1/4"(qty:1)



67 1/2"x6"(qty:1)



101 1/2"x7-1/8"(qty:1)



64 3/8"x3/4"(qty:5)



102 3/8"x1-5/8"(qty:4)



107 3/8"x2-1/2"(qty:2)



45 #12.7x80(qty:1)



60 #14x#28x2.8(qty:12)



63 1/2"x16t(qty:7)

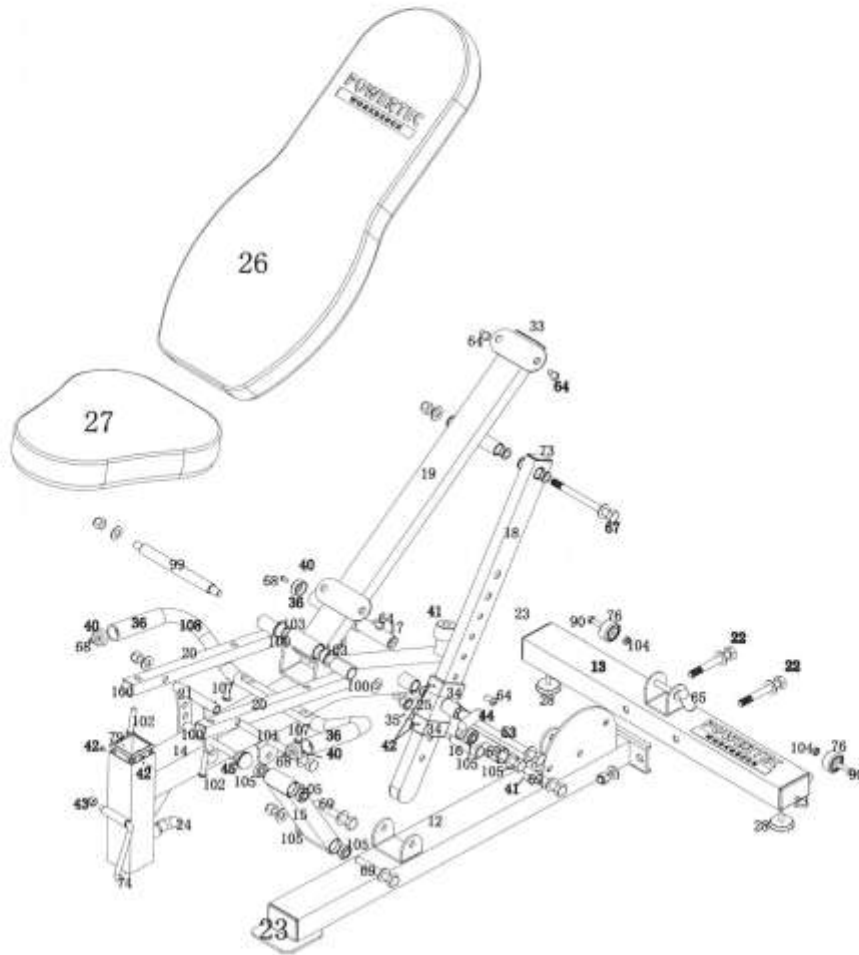
POWERTEC

WB-UB11

WORKBENCH UTILITY BENCH

# EXPLODED DIAGRAM

POWERTEC<sup>®</sup>



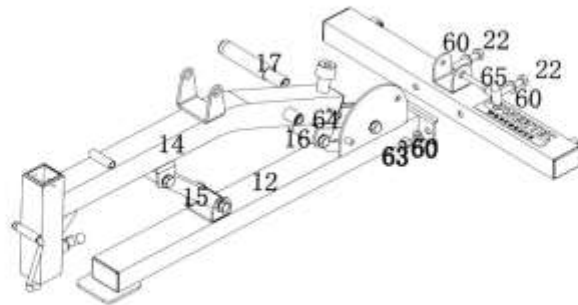
Remarks: All unmarked Washers are (59 & 60) and all unmarked Nylon Nuts are (63).

WB-UB11

WORKBENCH UTILITY BENCH

# ASSEMBLY ONE

**Note before beginning assembly:**  
*Always insert all bolts through holes prior to tightening  
due to precision fit*



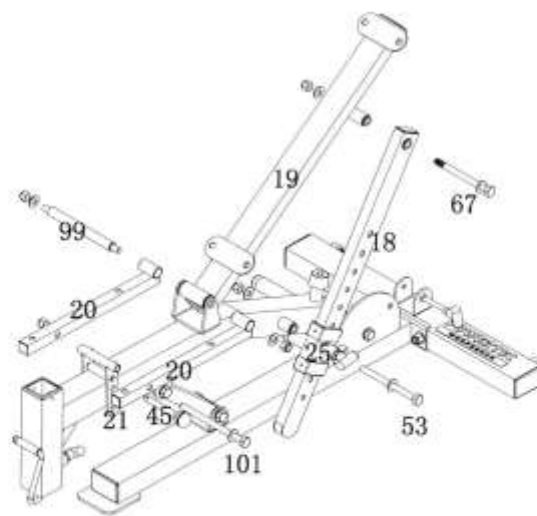
**WB-UB11**

**WORKBENCH UTILITY BENCH**

POWERTEC

# ASSEMBLY TWO

POWERTEC

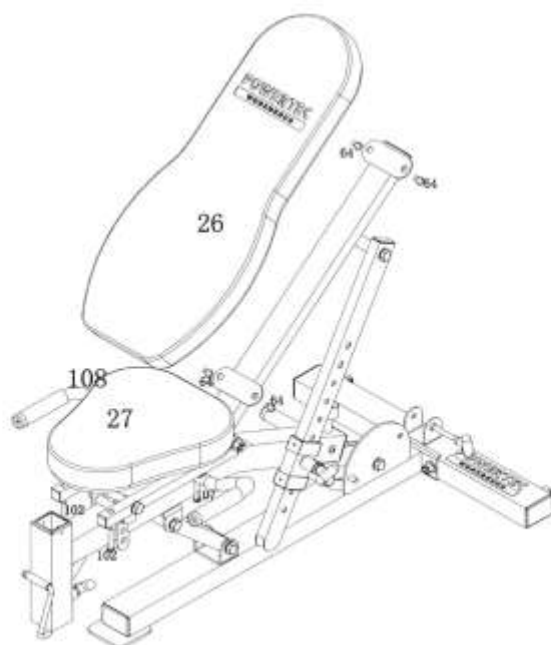


WB-UB11

WORKBENCH UTILITY BENCH

# ASSEMBLY THREE

POWERTEC

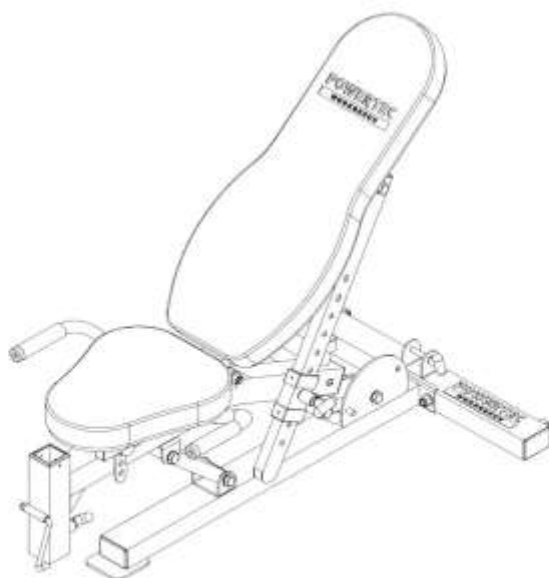


WB-UB11

WORKBENCH UTILITY BENCH



# ASSEMBLY FOUR



WB-UB11

WORKBENCH UTILITY BENCH

**POWERTEC** IS NOT LIABLE IF THE TRAINER SHOULD INJURE THEMSELVES WHILE USING **POWERTEC** EQUIPMENT OR WHILE PERFORMING THE TRAINING ROUTINE

# **POWERTEC®**

## **WORKBENCH**

### **POWERTEC INC.**

717 East Artesia Blvd.  
Suite B  
Carson, CA 90746-1202

Phone: (800)250-6665  
Fax: (714)908-0493

[www.powertecfitness.com](http://www.powertecfitness.com)

**LIMITED  
LIFETIME  
WARRANTY**

---